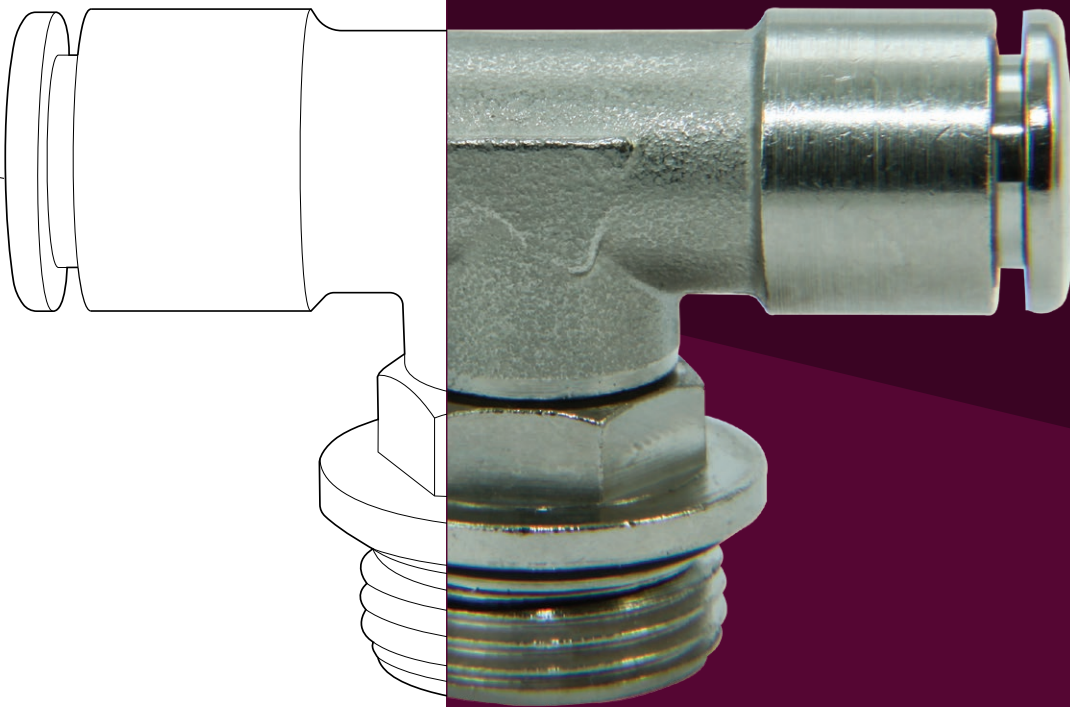


PUSH-IN FITTINGS





P. 3 /
PLASTIC PUSH-IN FITTINGS



P. 41 /
COMPACT PUSH-IN FITTINGS
CDC PNEUMATICS



P. 51 /
BRASS PUSH-IN FITTINGS



P. 63 /
BRASS PUSH-IN FITTINGS
WITH T.E.A. SURFACE TREATMENT



P. 69 /
PLASTIC PUSH-IN FITTINGS
FOR HIGH PERFORMANCE



P. 83 /
PUSH-IN FITTINGS
INOX AISI 316

TECHNICAL INDEX



PLASTIC PUSH-IN FITTINGS

PLUS

COMPLETE RANGE

thanks to a 20-years experience in the market.

HIGHEST LEVEL OF PERFORMANCES

working pressure up to 16 bar, increased of working temperature.

PLASTIC STEM SYSTEM to allow the connection with different kind of fittings.

MADE BY TOP QUALITY

TECNOPOLYMERS to guarantee long-lasting components.

100% LEAK-PROOF TESTED

SILICON FREE MATERIALS

IN COMPLIANCE WITH ISO 14743

SUITABLE FOR VACUUM APPLICATIONS

STATIC GRIPPING SYSTEM in order to stop all the movements of the tube when inserted, granting a leak-proof connection

Every fitting is STUDIED TO GUARANTEE THE MAXIMUM POSSIBLE FLOW

RATE accordingly to the diameter of the tube and to the thread





p. 8 / **WTRC-R**



p. 8 / **WTRC-G**



p. 9 / **WTRC-N**



p. 9 / **WTROC-R**



p. 10 / **WTROC-G**



p. 10 / **WTROC-N**



p. 11 / **WTRCF-G**



p. 11 / **WTRCF-N**



p. 12 / **WTRMF-G**



p. 12 / **WTRMF-N**



p. 13 / **WTRMM**



p. 13 / **WTRMM-N**



p. 13 / **WTRSL-R**



p. 14 / **WTRSL-G**



p. 14 / **WTRL-R**



p. 15 / **WTRL-G**



p. 16 / **WTRL-N**



p. 16 / **WTRLL-R**



p. 17 / **WTRLL-G**



p. 17 / **WTRLL-N**



p. 18 / **WTRLH-R**



p. 18 / **WTRLH-G**



p. 19 / **WTRLH-N**



p. 19 / **WTRLF-G**



p. 20 / **WTRLF-N**



p. 20 / **WTRLM**



p. 20 / **WTRH-R**



p. 21 / **WTRH-G**



p. 21 / **WTRH-N**



p. 22 / **WTRHF-R**



p. 22 / **WTRHF-G**



p. 23 / **WTRHF-N**



p. 23 / **WTRT-R**



p. 24 / **WTRT-G**



p. 25 / **WTRT-N**



p. 25 / **WTRST-R**



p. 26 / **WTRST-G**



p. 26 / **WTRST-N**



p. 27 / **WTRWT-R**



p. 27 / **WTRWT-G**



p. 28 / **WTRWT-N**



p. 28 / **WTRKD-R**



p. 28 / **WTRKD-G**



p. 29 / **WTRKD-N**



p. 29 / **WTRUC**



p. 29 / **WTRUC-N**



p. 30 / **WTRG**



p. 30 / **WTRG-N**



p. 30 / **WTRUL**



p. 31 / **WTRUL-N**



p. 31 / **WTRUT**



p. 31 / **WTRUT-N**



p. 31 / **WTRGT**



p. 32 / **WTRGT-N**





p. 32 / **WTRY**



p. 32 / **WTRY-N**



p. 32 / **WTRW**



p. 33 / **WTRW-N**



p. 33 / **WTRZA**



p. 33 / **WTRZA-N**



p. 33 / **WTRK**



p. 34 / **WTRK-N**



p. 34 / **WTRKG**



p. 34 / **WTRKG-N**



p. 34 / **WTRGJ**



p. 35 / **WTRGJ-N**



p. 35 / **WTRLJ**



p. 35 / **WTRLJ-N**



p. 35 / **WTRLGJ**



p. 36 / **WTRLGJ-N**



p. 36 / **WTRYJ**



p. 36 / **WTRYJ-N**



p. 36 / **WTRWJ**



p. 37 / **WTRWJ-N**



p. 37 / **WTRKJ**



p. 37 / **WTRKJ-N**



p. 37 / **WTRPF**



p. 38 / **WTRIJ**



p. 38 / **WTRIJ-N**



p. 38 / **WTRIG**



p. 38 / **WTRIG-N**



p. 39 / **WTRP**



p. 39 / **WTRP-N**



p. 39 / **WTRUC-PRD**



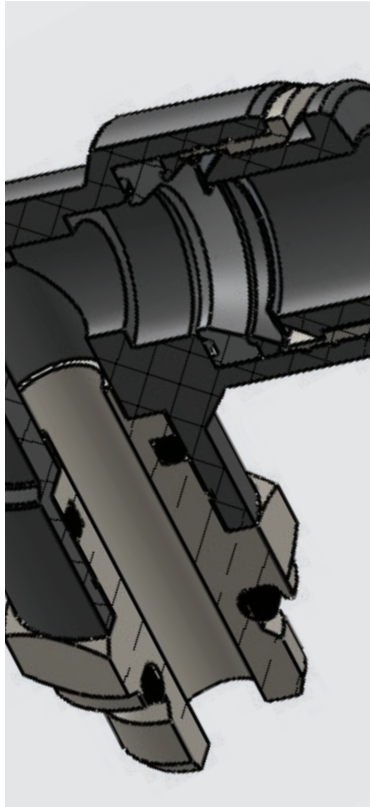
p. 39 / **WTRCV**



p. 39 / **TR**







-20°C ÷ 80°C



Working pressure:
16 Bar
Negative pressure:
-750 mmHg



Compressed air & vacuum



Taper gas BSPT ISO 7
from R1/8" to R1/2" with teflon
Parallel gas BSPP ISO 228
from G1/8" to G1/2"
Metric ISO 262 M5, M6, M7
NPT from N1/8" to N1/2"
UNF 10-32



Polyamide PA,
Polyurethane PU,
Polyethylene PE



Body: Nickel plated brass
and high performance PBT
Release Sleeve: Acetal resin POM
Cartridge: Nickel plated zinc
Lock claw: Stainless steel AISI 301
Back Ring: POM
O'ring: NBR silicon Free
V-Seal: NBR silicon Free



Products in compliance with
the directive 2002/95/EC

RoHS2

Products in compliance with
the directive 2011/65/EU

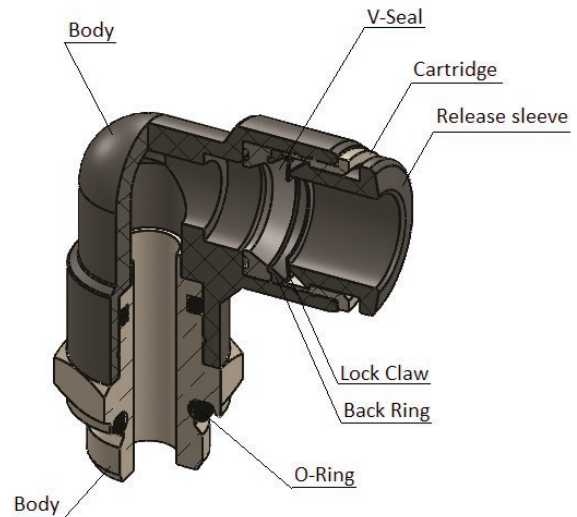
INSERTION OF THE TUBE INTO THE FITTING

- Make sure the tube is fully inserted into the fitting.
- To insert the tube into the fitting cut the tube at a squared angle (90°), insert up to the end and pull gently to make sure it is correctly connected.
- If there are any damages or scratches on the tube surface or an oval shape, air leakage and tube release may occur. Check it carefully.
- The OD of polyurethane tubes expand when pressure is applied. Reinsertion into the fitting may not be possible. Check the OD of the tube and change the tube if the expansion is serious.
- Always remove by cutting the part of the tube previously inserted into the fitting. Use a proper tube cutter in order to cut the tube.

DISCONNECTION OF THE TUBE FROM THE FITTING

- Make sure the pressure is zero before releasing the tube from the fitting.
- To release the tube, press the release ring regularly at the end and pull the tube with one hand.

CONSTRUCTION MATERIALS



TOLERANCE TUBE

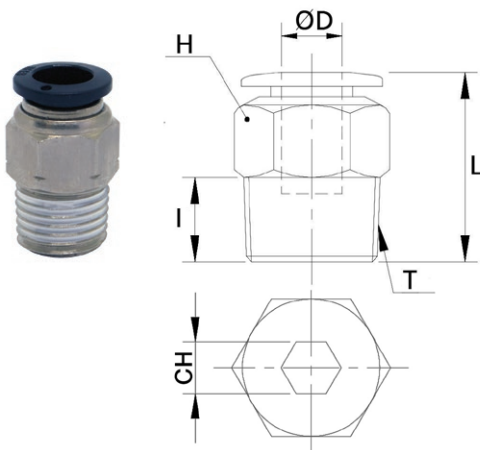
| TUBES Ø | Ø 4 mm | Ø 6 mm | Ø 8 mm | Ø 10 mm | Ø 12 mm | Ø 14 mm | Ø 16 mm |
|-----------------|--------|--------|--------|---------|---------|---------|---------|
| TOLERANCES (MM) | ± 0,1 | ± 0,1 | ± 0,1 | ± 0,15 | ± 0,15 | ± 0,15 | ± 0,15 |

| TUBES Ø | Ø 5/32 | Ø 3/16 | Ø 1/4 | Ø 5/16 | Ø 3/8 | Ø 1/2 |
|-------------------|---------|---------|---------|---------|---------|---------|
| TOLERANCES (INCH) | ± 0,003 | ± 0,003 | ± 0,003 | ± 0,003 | ± 0,005 | ± 0,005 |



WTRC-R

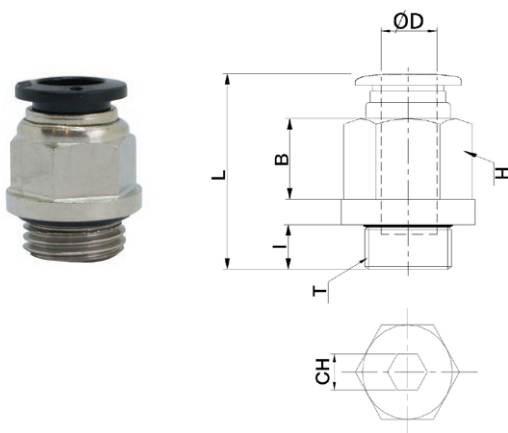
Male connector with internal hexagon BSPT thread nickel plated



| CODE | ØD | T | I | L | CH | H | GR. |
|-----------|----|-------|------|------|------|----|------|
| WTRC04R01 | 4 | R1/8" | 7,0 | 19,3 | 3,0 | 10 | 6,2 |
| WTRC04R02 | 4 | R1/4" | 9,5 | 17,9 | 3,0 | 14 | 9,8 |
| WTRC06R01 | 6 | R1/8" | 7,0 | 20,4 | 4,0 | 12 | 6,9 |
| WTRC06R02 | 6 | R1/4" | 9,5 | 22,7 | 4,0 | 14 | 13,3 |
| WTRC06R03 | 6 | R3/8" | 10,5 | 20,7 | 4,0 | 17 | 19,9 |
| WTRC06R04 | 6 | R1/2" | 13,5 | 24,7 | 4,0 | 21 | 39,8 |
| WTRC08R01 | 8 | R1/8" | 7,0 | 25,4 | 5,0 | 14 | 10,0 |
| WTRC08R02 | 8 | R1/4" | 9,5 | 24,9 | 6,0 | 14 | 11,9 |
| WTRC08R03 | 8 | R3/8" | 10,5 | 21,9 | 6,0 | 17 | 17,5 |
| WTRC08R04 | 8 | R1/2" | 13,5 | 25,9 | 6,0 | 21 | 37,6 |
| WTRC10R01 | 10 | R1/8" | 7,0 | 27,7 | 5,0 | 17 | 16,4 |
| WTRC10R02 | 10 | R1/4" | 9,5 | 29,5 | 6,0 | 17 | 18,6 |
| WTRC10R03 | 10 | R3/8" | 10,5 | 27,0 | 8,0 | 17 | 20,7 |
| WTRC10R04 | 10 | R1/2" | 13,5 | 25,3 | 8,0 | 21 | 34,6 |
| WTRC12R02 | 12 | R1/4" | 9,5 | 32,9 | 6,0 | 20 | 24,5 |
| WTRC12R03 | 12 | R3/8" | 10,5 | 29,9 | 8,0 | 20 | 25,3 |
| WTRC12R04 | 12 | R1/2" | 13,5 | 32,9 | 8,0 | 21 | 41,0 |
| WTRC16R03 | 16 | R3/8" | 10,5 | 37,6 | 8,0 | 24 | 42,0 |
| WTRC16R04 | 16 | R1/2" | 13,5 | 35,6 | 10,0 | 24 | 42,1 |

WTRC-G

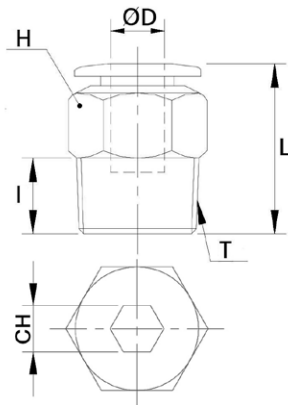
Male connector with internal hexagon BSPP & metric thread nickel plated



| CODE | ØD | T | I | L | B | CH | H | GR. |
|-----------|----|--------|-----|------|------|------|----|------|
| WTRC04M5 | 4 | M5X0,8 | 3,8 | 20,1 | 10,5 | 2,0 | 10 | 5,7 |
| WTRC04M6 | 4 | M6X1 | 4,5 | 20,8 | 10,5 | 2,5 | 10 | 6,1 |
| WTRC04M7 | 4 | M7X1 | 4,5 | 20,8 | 10,5 | 3,0 | 10 | 6,9 |
| WTRC04G01 | 4 | G1/8" | 5,0 | 19,3 | 7,4 | 3,0 | 10 | 7,4 |
| WTRC04G02 | 4 | G1/4" | 5,8 | 16,6 | 3,9 | 3,0 | 10 | 9,4 |
| WTRC06M5 | 6 | M5X0,8 | 3,8 | 21,2 | 10,5 | 2,0 | 12 | 7,4 |
| WTRC06M6 | 6 | M6X1 | 4,5 | 21,7 | 10,5 | 2,5 | 12 | 7,0 |
| WTRC06M7 | 6 | M7X1 | 4,5 | 21,9 | 10,5 | 3,0 | 12 | 7,2 |
| WTRC06G01 | 6 | G1/8" | 5,0 | 19,9 | 6,7 | 4,0 | 12 | 7,5 |
| WTRC06G02 | 6 | G1/4" | 5,8 | 20,4 | 6,4 | 4,0 | 12 | 10,8 |
| WTRC06G03 | 6 | G3/8" | 6,8 | 20,0 | 4,5 | 4,0 | 12 | 17,0 |
| WTRC06G04 | 6 | G1/2" | 8,0 | 21,7 | 4,5 | 4,0 | 12 | 27,5 |
| WTRC08G01 | 8 | G1/8" | 5,0 | 24,4 | 11,1 | 5,0 | 14 | 11,7 |
| WTRC08G02 | 8 | G1/4" | 5,8 | 22,2 | 7,0 | 6,0 | 14 | 11,1 |
| WTRC08G03 | 8 | G3/8" | 6,8 | 21,2 | 4,5 | 6,0 | 14 | 15,7 |
| WTRC08G04 | 8 | G1/2" | 8,0 | 22,9 | 4,5 | 6,0 | 14 | 27,0 |
| WTRC10G01 | 10 | G1/8" | 5,0 | 26,3 | 11,0 | 5,0 | 17 | 15,9 |
| WTRC10G02 | 10 | G1/4" | 5,8 | 27,5 | 13,9 | 6,0 | 17 | 20,4 |
| WTRC10G03 | 10 | G3/8" | 6,8 | 25,0 | 8,9 | 8,0 | 17 | 20,6 |
| WTRC10G04 | 10 | G1/2" | 8,0 | 22,7 | 4,9 | 8,0 | 17 | 28,5 |
| WTRC12G02 | 12 | G1/4" | 5,8 | 31,2 | 12,0 | 6,0 | 20 | 26,3 |
| WTRC12G03 | 12 | G3/8" | 6,8 | 28,2 | 11,0 | 8,0 | 20 | 24,3 |
| WTRC12G04 | 12 | G1/2" | 8,0 | 28,9 | 9,5 | 8,0 | 20 | 33,3 |
| WTRC14G03 | 14 | G3/8" | 6,8 | 31,8 | 13,0 | 8,0 | 21 | 30,0 |
| WTRC14G04 | 14 | G1/2" | 8,0 | 29,5 | 10,0 | 10,0 | 24 | 20,0 |
| WTRC16G03 | 16 | G3/8" | 6,8 | 34,9 | 14,5 | 8,0 | 24 | 42,0 |
| WTRC16G04 | 16 | G1/2" | 8,0 | 36,1 | 18,0 | 10,0 | 24 | 50,7 |



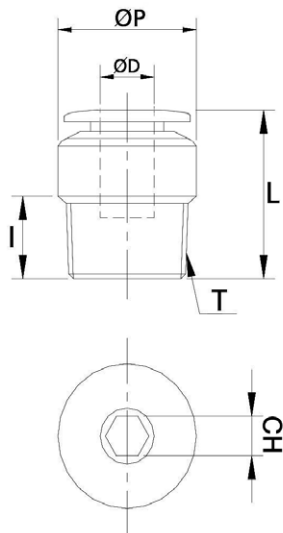
WTRC-N



Male connector with internal hexagon NPT & UNF thread nickel plated

| CODE | ØD | T | I | L | CH | H | LB |
|---------------|------|-----------|-------|-------|-------|-------|-------|
| WTRC532UF1032 | 5/32 | UNF 10-32 | 0,149 | 0,799 | 0,093 | 0,437 | 0,012 |
| WTRC532N01 | 5/32 | N1/8" | 0,295 | 0,779 | 0,093 | 0,437 | 0,013 |
| WTRC532N02 | 5/32 | N1/4" | 0,413 | 0,744 | 0,093 | 0,562 | 0,021 |
| WTRC316UF1032 | 3/16 | UNF 10-32 | 0,149 | 0,822 | 0,093 | 0,437 | 0,014 |
| WTRC316N01 | 3/16 | N1/8" | 0,295 | 0,811 | 0,156 | 0,437 | 0,027 |
| WTRC316N02 | 3/16 | N1/4" | 0,413 | 0,933 | 0,156 | 0,562 | 0,041 |
| WTRC316N03 | 3/16 | N3/8" | 0,433 | 0,834 | 0,156 | 0,578 | 0,083 |
| WTRC1-4UF1032 | 1/4 | UNF 10-32 | 0,149 | 0,834 | 0,093 | 0,5 | 0,015 |
| WTRC1-4N01 | 1/4 | N1/8" | 0,295 | 0,822 | 0,156 | 0,5 | 0,029 |
| WTRC1-4N02 | 1/4 | N1/4" | 0,413 | 0,933 | 0,156 | 0,562 | 0,043 |
| WTRC1-4N03 | 1/4 | N3/8" | 0,433 | 0,834 | 0,156 | 0,685 | 0,087 |
| WTRC516N01 | 5/16 | N1/8" | 0,295 | 1,019 | 0,187 | 0,562 | 0,022 |
| WTRC516N02 | 5/16 | N1/4" | 0,143 | 1,019 | 0,218 | 0,562 | 0,026 |
| WTRC516N03 | 5/16 | N3/8" | 0,433 | 0,881 | 0,218 | 0,685 | 0,038 |
| WTRC38N01 | 3/8 | N1/8" | 0,295 | 1,110 | 0,187 | 0,685 | 0,036 |
| WTRC38N02 | 3/8 | N1/4" | 0,413 | 1,200 | 0,218 | 0,685 | 0,041 |
| WTRC38N03 | 3/8 | N3/8" | 0,433 | 1,011 | 0,312 | 0,685 | 0,045 |
| WTRC38N04 | 3/8 | N1/2" | 0,551 | 1,015 | 0,312 | 0,874 | 0,076 |
| WTRC1-2N02 | 1/2 | N1/4" | 0,413 | 1,334 | 0,250 | 0,874 | 0,054 |
| WTRC1-2N03 | 1/2 | N3/8" | 0,433 | 1,196 | 0,312 | 0,874 | 0,055 |
| WTRC1-2N04 | 1/2 | N1/2" | 0,551 | 1,314 | 0,312 | 0,874 | 0,090 |

WTROC-R

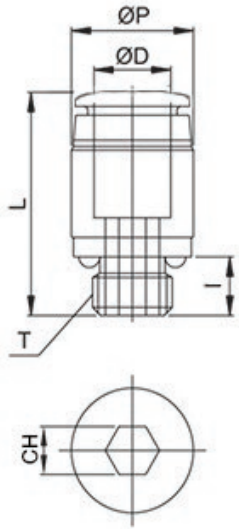


Male connector with internal hexagon BSPT thread nickel plated

| CODE | ØD | T | I | L | ØP | CH | H | GR. |
|------------|----|-------|------|------|----|-----|-----|------|
| WTROC04R01 | 4 | R1/8" | 7,0 | 19,3 | 10 | 3,0 | 3,0 | 5,6 |
| WTROC04R02 | 4 | R1/4" | 9,5 | 17,9 | 14 | 3,0 | 3,0 | 11,2 |
| WTROC06R01 | 6 | R1/8" | 7,0 | 20,4 | 12 | 4,0 | 4,0 | 6,3 |
| WTROC06R02 | 6 | R1/4" | 9,5 | 22,7 | 14 | 4,0 | 4,0 | 12,5 |
| WTROC06R03 | 6 | R3/8" | 10,5 | 20,7 | 17 | 4,0 | 4,0 | 19,0 |
| WTROC08R01 | 8 | R1/8" | 7,0 | 25,4 | 14 | 5,0 | 5,0 | 10,2 |
| WTROC08R02 | 8 | R1/4" | 9,5 | 24,9 | 14 | 6,0 | 6,0 | 13,1 |
| WTROC08R03 | 8 | R3/8" | 10,5 | 21,9 | 17 | 6,0 | 6,0 | 17,3 |
| WTROC08R04 | 8 | R1/2" | 13,5 | 25,9 | 21 | 6,0 | 6,0 | 37,9 |
| WTROC10R01 | 10 | R1/8" | 7,0 | 27,7 | 17 | 5,0 | 5,0 | 20,8 |
| WTROC10R02 | 10 | R1/4" | 9,5 | 29,5 | 17 | 6,0 | 6,0 | 22,5 |
| WTROC10R03 | 10 | R3/8" | 10,5 | 27,0 | 17 | 8,0 | 8,0 | 22,6 |
| WTROC10R04 | 10 | R1/2" | 13,5 | 25,3 | 21 | 8,0 | 8,0 | 34,0 |
| WTROC12R02 | 12 | R1/4" | 9,5 | 32,9 | 20 | 6,0 | 6,0 | 21,5 |
| WTROC12R03 | 12 | R3/8" | 10,5 | 29,9 | 20 | 8,0 | 8,0 | 22,2 |
| WTROC12R04 | 12 | R1/2" | 13,5 | 32,9 | 21 | 8,0 | 8,0 | 37,3 |



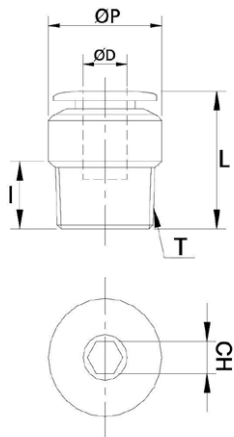
WTROC-G



Male connector with internal hexagon metric thread nickel plated

| CODE | ØD | T | I | L | ØP | CH | GR. |
|-----------|----|--------|-----|------|----|-----|-----|
| WTROC04M5 | 4 | M5X0,8 | 3,8 | 20,1 | 10 | 2,0 | 5,2 |
| WTROC04M6 | 4 | M6X1 | 4,5 | 20,8 | 10 | 2,0 | 5,6 |
| WTROC06M5 | 6 | M5X0,8 | 3,8 | 21,0 | 12 | 2,0 | 6,8 |
| WTROC06M6 | 6 | M6X1 | 4,5 | 21,7 | 12 | 2,0 | 7,2 |

WTROC-N



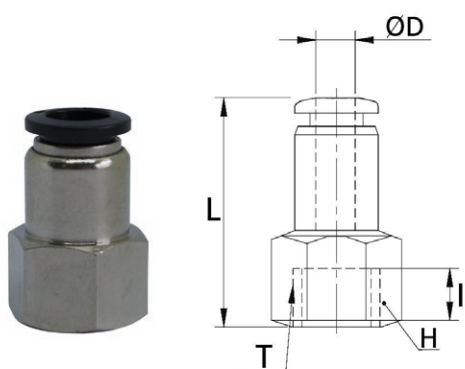
Male connector with internal hexagon NPT & UNF thread nickel plated

| CODE | ØD | T | I | L | CH | H | LB |
|----------------|------|-----------|-------|-------|-------|-------|-------|
| WTROC532UF1032 | 5/32 | UNF 10-32 | 0,149 | 0,799 | 0,093 | 0,393 | 0,011 |
| WTROC532N01 | 5/32 | N1/8" | 0,295 | 0,779 | 0,093 | 0,393 | 0,012 |
| WTROC1-4UF1032 | 1/4 | UNF 10-32 | 0,149 | 0,834 | 0,093 | 0,472 | 0,013 |
| WTROC1-4N01 | 1/4 | N1/8" | 0,295 | 0,822 | 0,156 | 0,472 | 0,014 |
| WTROC1-4N02 | 1/4 | N1/4" | 0,413 | 0,933 | 0,156 | 0,551 | 0,027 |
| WTROC516N01 | 5/16 | N1/8" | 0,295 | 1,019 | 0,187 | 0,551 | 0,022 |
| WTROC516N02 | 5/16 | N1/4" | 0,413 | 1,019 | 0,218 | 0,551 | 0,028 |
| WTROC516N03 | 5/16 | N3/8" | 0,433 | 0,881 | 0,218 | 0,669 | 0,038 |
| WTROC38N02 | 3/8 | N1/4" | 0,413 | 1,200 | 0,218 | 0,669 | 0,049 |
| WTROC38N03 | 3/8 | N3/8" | 0,433 | 1,011 | 0,312 | 0,669 | 0,049 |
| WTROC38N04 | 3/8 | N1/2" | 0,551 | 1,015 | 0,312 | 0,826 | 0,074 |
| WTROC1-2N02 | 1/2 | N1/4" | 0,413 | 1,334 | 0,250 | 0,826 | 0,047 |
| WTROC1-2N03 | 1/2 | N3/8" | 0,433 | 1,196 | 0,312 | 0,826 | 0,048 |
| WTROC1-2N04 | 1/2 | N1/2" | 0,551 | 1,314 | 0,313 | 0,826 | 0,082 |



WTRCF-G

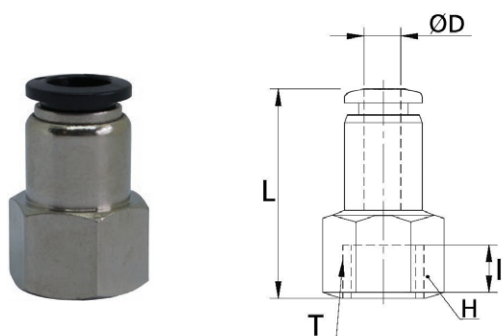
Female connector BSPP thread nickel plated



| CODE | ØD | T | I | L | H | GR. |
|------------|----|-------|------|------|----|------|
| WTRCF04G01 | 4 | G1/8" | 7,0 | 22,3 | 14 | 12,5 |
| WTRCF04G02 | 4 | G1/4" | 9,0 | 25,3 | 17 | 18,0 |
| WTRCF06G01 | 6 | G1/8" | 7,0 | 24,4 | 14 | 15,0 |
| WTRCF06G02 | 6 | G1/4" | 9,0 | 26,4 | 17 | 19,3 |
| WTRCF06G03 | 6 | G3/8" | 10,0 | 27,4 | 19 | 26,3 |
| WTRCF08G01 | 8 | G1/8" | 7,0 | 25,9 | 14 | 15,8 |
| WTRCF08G02 | 8 | G1/4" | 9,0 | 27,9 | 17 | 19,4 |
| WTRCF08G03 | 8 | G3/8" | 10,0 | 28,9 | 19 | 18,4 |
| WTRCF08G04 | 8 | G1/2" | 12,0 | 30,9 | 24 | 32,8 |
| WTRCF10G01 | 10 | G1/8" | 7,0 | 27,7 | 17 | 28,5 |
| WTRCF10G02 | 10 | G1/4" | 9,0 | 29,7 | 17 | 27,0 |
| WTRCF10G03 | 10 | G3/8" | 10,0 | 30,7 | 19 | 24,6 |
| WTRCF10G04 | 10 | G1/2" | 12,0 | 32,7 | 24 | 38,5 |
| WTRCF12G02 | 12 | G1/4" | 9,0 | 32,9 | 20 | 44,2 |
| WTRCF12G03 | 12 | G3/8" | 10,0 | 33,9 | 20 | 35,9 |
| WTRCF12G04 | 12 | G1/2" | 12,0 | 35,9 | 24 | 34,2 |

WTRCF-N

Female connector NPT thread nickel plated

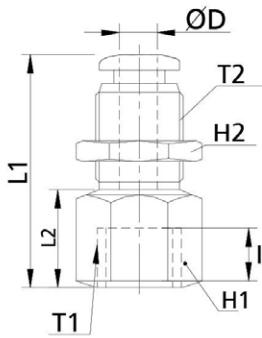


| CODE | ØD | T | I | L | H | LB |
|-------------|------|-------|-------|-------|-------|-------|
| WTRCF532N01 | 5/32 | N1/8" | 0,295 | 0,937 | 0,562 | 0,027 |
| WTRCF532N02 | 5/32 | N1/4" | 0,413 | 1,055 | 0,685 | 0,039 |
| WTRCF316N01 | 3/16 | N1/8" | 0,295 | 0,960 | 0,562 | 0,031 |
| WTRCF316N02 | 3/16 | N1/4" | 0,413 | 1,078 | 0,685 | 0,040 |
| WTRCF1-4N01 | 1/4 | N1/8" | 0,295 | 0,980 | 0,562 | 0,033 |
| WTRCF1-4N02 | 1/4 | N1/4" | 0,413 | 1,098 | 0,685 | 0,042 |
| WTRCF516N01 | 5/16 | N1/8" | 0,295 | 1,039 | 0,562 | 0,034 |
| WTRCF516N02 | 5/16 | N1/4" | 0,413 | 1,157 | 0,685 | 0,042 |
| WTRCF516N03 | 5/16 | N3/8" | 0,433 | 1,177 | 0,874 | 0,040 |
| WTRCF38N02 | 3/8 | N1/4" | 0,413 | 1,228 | 0,685 | 0,059 |
| WTRCF38N03 | 3/8 | N3/8" | 0,433 | 1,248 | 0,874 | 0,054 |
| WTRCF1-2N02 | 1/2 | N1/4" | 0,413 | 1,354 | 0,874 | 0,097 |
| WTRCF1-2N03 | 1/2 | N3/8" | 0,433 | 1,374 | 0,874 | 0,079 |



WTRMF-G

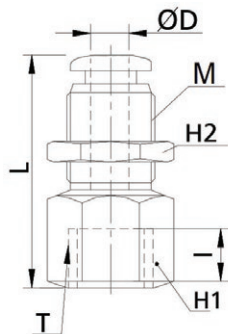
Bulkhead female connector BSPP thread nickel plated



| CODE | ØD | T1 | T2 | I | H1 | H2 | L1 | L2 | GR. |
|------------|----|-------|-------|------|----|----|------|------|------|
| WTRMF04G01 | 4 | G1/8" | M12X1 | 7,0 | 14 | 14 | 23,3 | 9,5 | 15,5 |
| WTRMF04G02 | 4 | G1/4" | M12X1 | 9,0 | 17 | 14 | 25,4 | 11,6 | 20,4 |
| WTRMF06G01 | 6 | G1/8" | M14X1 | 7,0 | 17 | 17 | 24,2 | 7,0 | 26,3 |
| WTRMF06G02 | 6 | G1/4" | M14X1 | 9,0 | 17 | 17 | 29,2 | 12,0 | 26,5 |
| WTRMF06G03 | 6 | G3/8" | M14X1 | 10,0 | 19 | 17 | 30,2 | 13,0 | 35,1 |
| WTRMF08G01 | 8 | G1/8" | M16X1 | 7,0 | 19 | 19 | 27,4 | 5,0 | 32,0 |
| WTRMF08G02 | 8 | G1/4" | M16X1 | 9,0 | 19 | 19 | 34,4 | 12,0 | 42,4 |
| WTRMF08G03 | 8 | G3/8" | M16X1 | 10,0 | 19 | 19 | 34,4 | 13,0 | 42,4 |
| WTRMF08G04 | 8 | G1/2" | M16X1 | 12,0 | 24 | 19 | 36,4 | 15,0 | 47,7 |
| WTRMF10G01 | 10 | G1/8" | M20X1 | 7,0 | 21 | 24 | 28,4 | 7,7 | 52,8 |
| WTRMF10G02 | 10 | G1/4" | M20X1 | 9,0 | 21 | 24 | 30,4 | 9,7 | 53,5 |
| WTRMF10G03 | 10 | G3/8" | M20X1 | 10,0 | 21 | 24 | 33,7 | 13,0 | 53,8 |
| WTRMF10G04 | 10 | G1/2" | M20X1 | 12,0 | 24 | 24 | 35,7 | 15,0 | 58,8 |
| WTRMF12G02 | 12 | G1/4" | M22X1 | 9,0 | 24 | 27 | 33,5 | 9,1 | 68,2 |
| WTRMF12G03 | 12 | G3/8" | M22X1 | 10,0 | 24 | 27 | 34,4 | 10,0 | 62,7 |
| WTRMF12G04 | 12 | G1/2" | M22X1 | 12,0 | 24 | 27 | 39,4 | 15,0 | 62,3 |

WTRMF-N

Bulkhead female connector NPT thread nickel plated

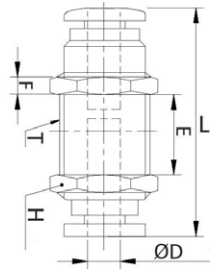


| CODE | ØD | T | M | I | H1 | H2 | L | LB |
|-------------|------|-------|-------|--------|-------|-------|-------|-------|
| WTRMF532N01 | 5/32 | N1/8" | M12X1 | 0,295 | 0,562 | 0,562 | 0,937 | 0,034 |
| WTRMF316N02 | 3/16 | N1/4" | M14X1 | 0,413 | 0,685 | 0,685 | 1,196 | 0,055 |
| WTRMF1-4N01 | 1/4 | N1/8" | M14X1 | 0,295 | 0,685 | 0,685 | 0,972 | 0,057 |
| WTRMF1-4N02 | 1/4 | N1/4" | M14X1 | 0,413 | 0,685 | 0,685 | 1,196 | 0,058 |
| WTRMF516N01 | 5/16 | N1/8" | M16X1 | 0,295 | 0,685 | 0,748 | 1,098 | 0,070 |
| WTRMF516N02 | 5/16 | N1/4" | M16X1 | 0,413 | 0,748 | 0,748 | 1,413 | 0,093 |
| WTRMF516N03 | 5/16 | N3/8" | M16X1 | 0,433 | 0,748 | 0,748 | 1,393 | 0,093 |
| WTRMF38N02 | 3/8 | N1/4" | M20X1 | 0,413 | 0,874 | 0,874 | 1,255 | 0,117 |
| WTRMF38N03 | 3/8 | N3/8" | M20X1 | 0,0433 | 0,874 | 0,874 | 1,366 | 0,118 |
| WTRMF1-2N03 | 1/2 | N3/8" | M22X1 | 0,433 | 1 | 1 | 1,393 | 0,138 |
| WTRMF1-2N04 | 1/2 | N1/2" | M22X1 | 0,551 | 1 | 1 | 1,629 | 0,137 |



WTRMM

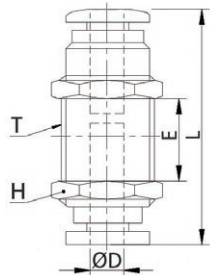
Bulkhead connector nickel plated



| CODE | ØD | T | E | L | F | H | GR. |
|-----------|----|-------|------|------|-----|----|------|
| WTRMM0400 | 4 | M12X1 | 9,7 | 30,1 | 3,5 | 14 | 15,4 |
| WTRMM0600 | 6 | M14X1 | 7,5 | 31,8 | 4,0 | 17 | 21,4 |
| WTRMM0800 | 8 | M16X1 | 6,8 | 35,3 | 4,5 | 19 | 26,8 |
| WTRMM1000 | 10 | M20X1 | 11,5 | 39,0 | 5,0 | 24 | 52,7 |
| WTRMM1200 | 12 | M22X1 | 12,8 | 45,3 | 5,0 | 27 | 59,8 |

WTRMM-N

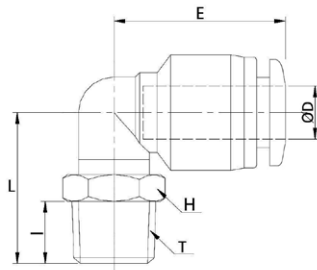
Bulkhead connector nickel plated



| CODE | ØD | T | E | L | H | LB |
|----------|------|-------|-------|-------|-------|-------|
| WTRMM532 | 5/32 | M12X1 | 0,381 | 1,185 | 0,562 | 0,034 |
| WTRMM316 | 3/16 | M14X1 | 0,295 | 1,251 | 0,685 | 0,045 |
| WTRMM1-4 | 1/4 | M14X1 | 0,295 | 1,251 | 0,685 | 0,047 |
| WTRMM516 | 5/16 | M16X1 | 0,267 | 1,389 | 0,748 | 0,059 |
| WTRMM38 | 3/8 | M20X1 | 0,350 | 1,433 | 0,874 | 0,116 |
| WTRMM1-2 | 1/2 | M22X1 | 0,503 | 1,783 | 1 | 0,131 |

WTRSL-R

Short swivel male elbow BSPT thread nickel plated

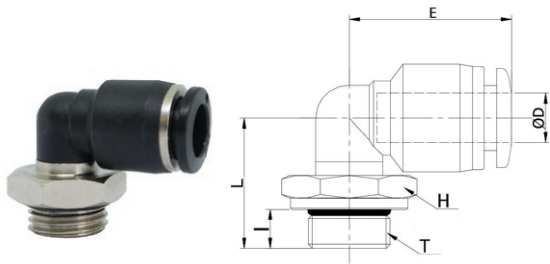


| CODE | ØD | T | I | L | E | H | GR. |
|------------|----|-------|------|------|------|------|------|
| WTRSL04R01 | 4 | R1/8" | 7,0 | 16,0 | 17,5 | 10,0 | 5,8 |
| WTRSL04R02 | 4 | R1/4" | 9,5 | 19,5 | 17,5 | 14,0 | 6,3 |
| WTRSL06R01 | 6 | R1/8" | 7,0 | 17,0 | 19,0 | 10,0 | 6,4 |
| WTRSL06R02 | 6 | R1/4" | 9,5 | 20,5 | 19,0 | 14,0 | 12,4 |
| WTRSL06R03 | 6 | R3/8" | 10,5 | 22,0 | 19,0 | 17,0 | 14,2 |
| WTRSL06R04 | 6 | R1/2" | 13,5 | 25,5 | 19,0 | 21,0 | 17,3 |
| WTRSL08R01 | 8 | R1/8" | 7,0 | 21,3 | 22,8 | 12,0 | 11,5 |
| WTRSL08R02 | 8 | R1/4" | 9,5 | 21,5 | 22,8 | 14,0 | 13,3 |
| WTRSL08R03 | 8 | R3/8" | 10,5 | 23,0 | 22,8 | 17,0 | 20,3 |
| WTRSL08R04 | 8 | R1/2" | 13,5 | 26,5 | 22,8 | 21,0 | 21,9 |
| WTRSL10R01 | 10 | R1/8" | 7,0 | 25,5 | 26,3 | 14,0 | 15,4 |
| WTRSL10R02 | 10 | R1/4" | 9,5 | 26,0 | 26,3 | 14,0 | 18,4 |
| WTRSL10R03 | 10 | R3/8" | 10,5 | 25,0 | 26,3 | 17,0 | 21,9 |
| WTRSL10R04 | 10 | R1/2" | 13,5 | 28,5 | 26,3 | 21,0 | 24,8 |
| WTRSL12R02 | 12 | R1/4" | 9,5 | 29,5 | 29,6 | 17,0 | 33,6 |
| WTRSL12R03 | 12 | R3/8" | 10,5 | 26,5 | 29,6 | 17,0 | 36,2 |
| WTRSL12R04 | 12 | R1/2" | 13,5 | 30,0 | 29,6 | 21,0 | 39,5 |



WTRSL-G

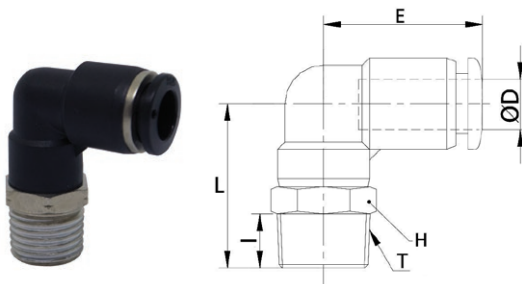
Short swivel male elbow BSPP & metric thread nickel plated



| CODE | ØD | T | I | L | E | H | GR. |
|------------|----|--------|-----|------|------|------|------|
| WTRSL04M5 | 4 | M5X0,8 | 3,8 | 15,3 | 17,5 | 8,0 | 5,2 |
| WTRSL04M7 | 4 | M7X1 | 4,5 | 17,0 | 17,5 | 10,0 | 6,1 |
| WTRSL04G01 | 4 | G1/8" | 4,8 | 14,8 | 17,5 | 14,0 | 7,6 |
| WTRSL04G02 | 4 | G1/4" | 5,5 | 16,0 | 17,5 | 17,0 | 11,3 |
| WTRSL06M5 | 6 | M5X0,8 | 3,8 | 15,3 | 19,0 | 8,0 | 5,8 |
| WTRSL06M7 | 7 | M7X1 | 4,5 | 17,0 | 19,0 | 10 | 6,7 |
| WTRSL06G01 | 6 | G1/8" | 4,8 | 15,8 | 19,0 | 14,0 | 8,3 |
| WTRSL06G02 | 6 | G1/4" | 5,5 | 17,0 | 19,0 | 17,0 | 13,3 |
| WTRSL06G03 | 6 | G3/8" | 6,5 | 18,5 | 19,0 | 20,0 | 16,8 |
| WTRSL06G04 | 6 | G1/2" | 7,5 | 19,5 | 19,0 | 24,0 | 20,1 |
| WTRSL08G01 | 8 | G1/8" | 4,8 | 20,0 | 22,8 | 14,0 | 11,9 |
| WTRSL08G02 | 8 | G1/4" | 5,5 | 18,0 | 22,8 | 17,0 | 13,8 |
| WTRSL08G03 | 8 | G3/8" | 6,5 | 19,5 | 22,8 | 20,0 | 21,2 |
| WTRSL08G04 | 8 | G1/2" | 7,5 | 20,5 | 22,8 | 24,0 | 23,9 |
| WTRSL10G01 | 10 | G1/8" | 4,8 | 24,3 | 26,3 | 14,0 | 21,3 |
| WTRSL10G02 | 10 | G1/4" | 5,5 | 23,1 | 26,3 | 17,0 | 24,3 |
| WTRSL10G03 | 10 | G3/8" | 6,5 | 21,5 | 26,3 | 20,0 | 27,6 |
| WTRSL10G04 | 10 | G1/2" | 7,5 | 22,5 | 26,3 | 24,0 | 31,2 |
| WTRSL12G02 | 12 | G1/4" | 5,5 | 26,5 | 29,6 | 17,0 | 33,8 |
| WTRSL12G03 | 12 | G3/8" | 6,5 | 23,0 | 29,6 | 20,0 | 35,6 |
| WTRSL12G04 | 12 | G1/2" | 7,5 | 24,0 | 29,6 | 24,0 | 39,8 |

WTRL-R

Swivel male elbow BSPT thread nickel plated

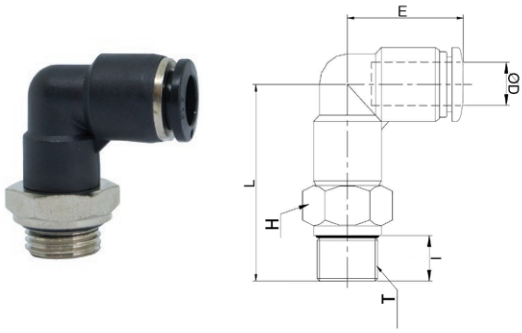


| CODE | ØD | T | I | L | E | H | GR. |
|-----------|----|-------|------|------|------|----|------|
| WTRL04R01 | 4 | R1/8" | 7,0 | 23,5 | 17,5 | 10 | 8,1 |
| WTRL04R02 | 4 | R1/4" | 9,5 | 27,0 | 17,5 | 14 | 13,9 |
| WTRL06R01 | 6 | R1/8" | 7,0 | 25,2 | 19,0 | 12 | 11,5 |
| WTRL06R02 | 6 | R1/4" | 9,5 | 28,2 | 19,0 | 14 | 16,5 |
| WTRL06R03 | 6 | R3/8" | 10,5 | 29,7 | 19,0 | 17 | 22,6 |
| WTRL06R04 | 6 | R1/2" | 13,5 | 33,2 | 19,0 | 21 | 35,9 |
| WTRL08R01 | 8 | R1/8" | 7,0 | 26,5 | 22,8 | 14 | 17,6 |
| WTRL08R02 | 8 | R1/4" | 9,5 | 29,0 | 22,8 | 14 | 17,7 |
| WTRL08R03 | 8 | R3/8" | 10,5 | 30,5 | 22,8 | 17 | 25,3 |
| WTRL08R04 | 8 | R1/2" | 13,5 | 34,0 | 22,8 | 21 | 38,2 |
| WTRL10R01 | 10 | R1/8" | 7,0 | 29,5 | 26,3 | 17 | 30,7 |
| WTRL10R02 | 10 | R1/4" | 9,5 | 32,0 | 26,3 | 17 | 31,4 |
| WTRL10R03 | 10 | R3/8" | 10,5 | 33,0 | 26,3 | 17 | 30,8 |
| WTRL10R04 | 10 | R1/2" | 13,5 | 36,5 | 26,3 | 21 | 47,3 |
| WTRL12R02 | 12 | R1/4" | 9,5 | 35,5 | 29,6 | 20 | 44,3 |
| WTRL12R03 | 12 | R3/8" | 10,5 | 36,5 | 29,6 | 20 | 46,7 |
| WTRL12R04 | 12 | R1/2" | 13,5 | 39,5 | 29,6 | 21 | 51,2 |
| WTRL14R03 | 14 | R3/8" | 10,5 | 41,5 | 31,7 | 24 | 53,0 |
| WTRL14R04 | 14 | R1/2" | 13,5 | 45,5 | 31,7 | 24 | 62,0 |
| WTRL16R03 | 16 | R3/8" | 10,5 | 43,0 | 33,0 | 24 | 67,6 |
| WTRL16R04 | 16 | R1/2" | 13,5 | 46,0 | 33,0 | 24 | 72,8 |



WTRL-G

Swivel male elbow BSPP & metric thread nickel plated

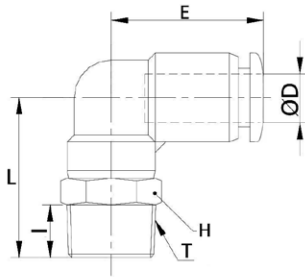


| CODE | ØD | T | I | L | E | H | GR. |
|-----------|----|--------|-----|------|------|----|------|
| WTRL04M5 | 4 | M5X0,8 | 3,8 | 17,3 | 17,5 | 8 | 5,1 |
| WTRL04M6 | 4 | M6X1 | 4,5 | 18,0 | 17,5 | 8 | 5,3 |
| WTRL04G01 | 4 | G1/8" | 5,0 | 24,0 | 17,5 | 14 | 11,8 |
| WTRL04G02 | 4 | G1/4" | 5,8 | 25,3 | 17,5 | 17 | 17,9 |
| WTRL06M5 | 6 | M5X0,8 | 3,8 | 17,3 | 19,0 | 8 | 5,8 |
| WTRL06M6 | 6 | M6X1 | 4,5 | 18,0 | 19,0 | 8 | 6,0 |
| WTRL06G01 | 6 | G1/8" | 5,0 | 25,2 | 19,0 | 14 | 14,6 |
| WTRL06G02 | 6 | G1/4" | 5,8 | 26,5 | 19,0 | 17 | 17,5 |
| WTRL06G03 | 6 | G3/8" | 6,8 | 28,0 | 19,0 | 20 | 24,4 |
| WTRL06G04 | 6 | G1/2" | 8,0 | 29,2 | 19,0 | 24 | 38,4 |
| WTRL08G01 | 8 | G1/8" | 5,0 | 26,0 | 22,8 | 14 | 17,5 |
| WTRL08G02 | 8 | G1/4" | 5,8 | 27,3 | 22,8 | 17 | 20,5 |
| WTRL08G03 | 8 | G3/8" | 6,8 | 28,8 | 22,8 | 20 | 26,6 |
| WTRL08G04 | 8 | G1/2" | 8,0 | 30,0 | 22,8 | 24 | 36,8 |
| WTRL10G01 | 10 | G1/8" | 5,0 | 29,0 | 26,3 | 17 | 31,2 |
| WTRL10G02 | 10 | G1/4" | 5,8 | 29,8 | 26,3 | 17 | 30,5 |
| WTRL10G03 | 10 | G3/8" | 6,8 | 31,3 | 26,3 | 20 | 34,6 |
| WTRL10G04 | 10 | G1/2" | 8,0 | 33,5 | 26,3 | 24 | 47,3 |
| WTRL12G02 | 12 | G1/4" | 5,8 | 33,8 | 29,6 | 20 | 43,9 |
| WTRL12G03 | 12 | G3/8" | 6,8 | 34,8 | 29,6 | 20 | 44,5 |
| WTRL12G04 | 12 | G1/2" | 8,0 | 36,5 | 29,6 | 24 | 51,8 |
| WTRL14G03 | 14 | G3/8" | 6,8 | 39,8 | 31,7 | 24 | 52,0 |
| WTRL14G04 | 14 | G1/2" | 8,0 | 41,5 | 31,7 | 24 | 61,0 |
| WTRL16G03 | 16 | G3/8" | 6,8 | 40,8 | 33,0 | 24 | 64,0 |
| WTRL16G04 | 16 | G1/2" | 8,0 | 42,0 | 33,0 | 24 | 66,5 |



WTRL-N

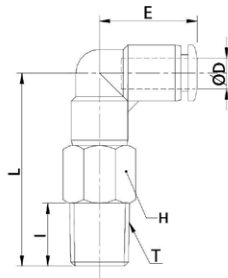
Swivel male elbow NPT & UNF thread nickel plated



| CODE | ØD | T | I | L | E | H | LB |
|---------------|------|-----------|-------|-------|-------|-------|-------|
| WTRL532UF1032 | 5/32 | UNF 10-32 | 0,149 | 0,681 | 0,688 | 0,314 | 0,016 |
| WTRL532N01 | 5/32 | N1/8" | 0,295 | 0,944 | 0,688 | 0,437 | 0,017 |
| WTRL532N02 | 5/32 | N1/4" | 0,413 | 1,102 | 0,688 | 0,562 | 0,030 |
| WTRL316UF1032 | 3/16 | UNF 10-32 | 0,149 | 0,866 | 0,700 | 0,437 | 0,016 |
| WTRL316N01 | 3/16 | N1/8" | 0,295 | 0,964 | 0,700 | 0,437 | 0,025 |
| WTRL316N02 | 3/16 | N1/4" | 0,413 | 1,102 | 0,700 | 0,562 | 0,034 |
| WTRL316N03 | 3/16 | N3/8" | 0,433 | 1,141 | 0,700 | 0,685 | 0,047 |
| WTRL1-4UF1032 | 1/4 | UNF 10-32 | 0,149 | 0,681 | 0,748 | 0,314 | 0,024 |
| WTRL1-4N01 | 1/4 | N1/8" | 0,295 | 1,011 | 0,748 | 0,5 | 0,025 |
| WTRL1-4N02 | 1/4 | N1/4" | 0,413 | 1,149 | 0,748 | 0,562 | 0,036 |
| WTRL1-4N03 | 1/4 | N3/8" | 0,433 | 1,188 | 0,748 | 0,685 | 0,049 |
| WTRL516N01 | 5/16 | N1/8" | 0,295 | 1,062 | 0,897 | 0,562 | 0,038 |
| WTRL516N02 | 5/16 | N1/4" | 0,413 | 1,181 | 0,897 | 0,562 | 0,039 |
| WTRL516N03 | 5/16 | N3/8" | 0,433 | 1,220 | 0,897 | 0,685 | 0,055 |
| WTRL38N01 | 3/8 | N1/8" | 0,295 | 1,181 | 1,035 | 0,685 | 0,067 |
| WTRL38N02 | 3/8 | N1/4" | 0,413 | 1,299 | 1,035 | 0,685 | 0,069 |
| WTRL38N03 | 3/8 | N3/8" | 0,433 | 1,318 | 1,035 | 0,685 | 0,067 |
| WTRL38N04 | 3/8 | N1/2" | 0,551 | 1,456 | 1,035 | 0,874 | 0,104 |
| WTRL1-2N02 | 1/2 | N1/4" | 0,413 | 1,437 | 1,165 | 0,874 | 0,097 |
| WTRL1-2N03 | 1/2 | N3/8" | 0,433 | 1,456 | 1,165 | 0,874 | 0,102 |
| WTRL1-2N04 | 1/2 | N1/2" | 0,551 | 1,574 | 1,165 | 0,874 | 0,112 |

WTRLL-R

Long swivel male elbow BSPT thread nickel plated

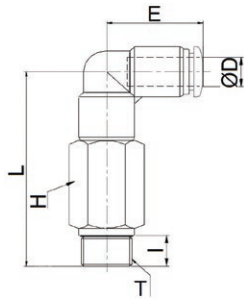


| CODE | ØD | T | I | L | E | H | GR. |
|------------|----|-------|------|------|------|------|-------|
| WTRLL04R01 | 4 | R1/8" | 7,0 | 35,5 | 17,5 | 10,0 | 14,2 |
| WTRLL04R02 | 4 | R1/4" | 9,5 | 39,0 | 17,5 | 14,0 | 26,2 |
| WTRLL06R01 | 6 | R1/8" | 7,0 | 39,2 | 19,0 | 12,0 | 22,0 |
| WTRLL06R02 | 6 | R1/4" | 9,5 | 42,2 | 19,0 | 14,0 | 29,2 |
| WTRLL06R03 | 6 | R3/8" | 10,5 | 43,7 | 19,0 | 17,0 | 39,4 |
| WTRLL06R04 | 6 | R1/2" | 13,5 | 47,2 | 19,0 | 21,0 | 62,9 |
| WTRLL08R01 | 8 | R1/8" | 7,0 | 41,8 | 22,8 | 14,0 | 34,6 |
| WTRLL08R02 | 8 | R1/4" | 9,5 | 44,3 | 22,8 | 14,0 | 33,1 |
| WTRLL08R03 | 8 | R3/8" | 10,5 | 45,8 | 22,8 | 17,0 | 45,6 |
| WTRLL08R04 | 8 | R1/2" | 13,5 | 49,3 | 22,8 | 21,0 | 70,1 |
| WTRLL10R01 | 10 | R1/8" | 7,0 | 49,5 | 26,3 | 17,0 | 61,2 |
| WTRLL10R02 | 10 | R1/4" | 9,5 | 52,0 | 26,3 | 17,0 | 62,5 |
| WTRLL10R03 | 10 | R3/8" | 10,5 | 53,0 | 26,3 | 17,0 | 56,7 |
| WTRLL10R04 | 10 | R1/2" | 13,5 | 56,5 | 26,3 | 21,0 | 87,2 |
| WTRLL12R02 | 12 | R1/4" | 9,5 | 58,5 | 29,6 | 20,0 | 86,7 |
| WTRLL12R03 | 12 | R3/8" | 10,5 | 59,5 | 29,6 | 20,0 | 100,7 |
| WTRLL12R04 | 12 | R1/2" | 13,5 | 62,5 | 29,6 | 21,0 | 89,7 |



WTRLL-G

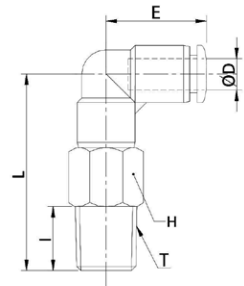
Long swivel male elbow BSPP & metric thread nickel plated



| CODE | ØD | T | I | L | E | H | GR. |
|------------|----|--------|-----|------|------|------|-------|
| WTRLL04M5 | 4 | M5X0,8 | 3,8 | 29,3 | 17,5 | 8,0 | 10,4 |
| WTRLL04M6 | 4 | M6X1 | 4,5 | 30,0 | 17,5 | 8,0 | 10,8 |
| WTRLL04G01 | 4 | G1/8" | 5,0 | 36,0 | 17,5 | 14,0 | 25,9 |
| WTRLL04G02 | 4 | G1/4" | 5,8 | 37,3 | 17,5 | 17,0 | 26,6 |
| WTRLL06M5 | 6 | M5X0,8 | 3,8 | 31,3 | 19,0 | 8,0 | 11,4 |
| WTRLL06M6 | 6 | M6X1 | 4,5 | 32,0 | 19,0 | 8,0 | 11,8 |
| WTRLL06G01 | 6 | G1/8" | 5,0 | 39,2 | 19,0 | 14,0 | 30,5 |
| WTRLL06G02 | 6 | G1/4" | 5,8 | 40,5 | 19,0 | 17,0 | 43,3 |
| WTRLL06G03 | 6 | G3/8" | 6,8 | 42,0 | 19,0 | 20,0 | 57,0 |
| WTRLL06G04 | 6 | G1/2" | 8,0 | 43,2 | 19,0 | 24,0 | 91,5 |
| WTRLL08G01 | 8 | G1/8" | 5,0 | 41,3 | 22,8 | 14,0 | 35,4 |
| WTRLL08G02 | 8 | G1/4" | 5,8 | 42,6 | 22,8 | 17,0 | 48,0 |
| WTRLL08G03 | 8 | G3/8" | 6,8 | 44,1 | 22,8 | 20,0 | 60,3 |
| WTRLL08G04 | 8 | G1/2" | 8,0 | 45,3 | 22,8 | 24,0 | 93,7 |
| WTRLL10G01 | 10 | G1/8" | 5,0 | 49,0 | 26,3 | 17,0 | 61,8 |
| WTRLL10G02 | 10 | G1/4" | 5,8 | 49,8 | 26,3 | 17,0 | 68,7 |
| WTRLL10G03 | 10 | G3/8" | 6,8 | 51,3 | 26,3 | 20,0 | 78,7 |
| WTRLL10G04 | 10 | G1/2" | 8,0 | 53,5 | 26,3 | 24,0 | 105,8 |
| WTRLL12G02 | 12 | G1/4" | 5,8 | 56,8 | 29,6 | 20,0 | 98,1 |
| WTRLL12G03 | 12 | G3/8" | 6,8 | 57,8 | 29,6 | 20,0 | 101,9 |
| WTRLL12G04 | 12 | G1/2" | 8,0 | 59,5 | 29,6 | 24,0 | 124,3 |

WTRLL-N

Long swivel male elbow NPT & UNF thread nickel plated

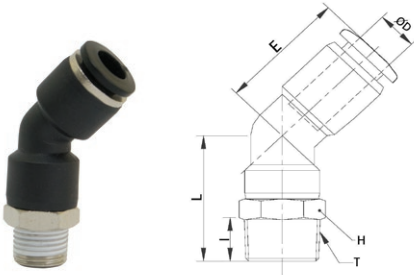


| CODE | ØD | T | A | B | E | H | LB |
|----------------|------|-----------|-------|-------|-------|-------|-------|
| WTRLL532UF1032 | 5/32 | UNF 10-32 | 0,149 | 1,318 | 0,688 | 0,437 | 0,029 |
| WTRLL532N01 | 5/32 | N1/8" | 0,295 | 1,417 | 0,688 | 0,437 | 0,031 |
| WTRLL316N01 | 3/16 | N1/8" | 0,295 | 1,417 | 0,700 | 0,437 | 0,046 |
| WTRLL316N02 | 3/16 | N1/4" | 0,413 | 1,555 | 0,700 | 0,562 | 0,061 |
| WTRLL316N03 | 3/16 | N3/8" | 0,433 | 1,594 | 0,700 | 0,685 | 0,082 |
| WTRLL1-4N01 | 1/4 | N1/8" | 0,295 | 1,562 | 0,748 | 0,5 | 0,048 |
| WTRLL1-4N02 | 1/4 | N1/4" | 0,413 | 1,700 | 0,748 | 0,562 | 0,064 |
| WTRLL1-4N03 | 1/4 | N3/8" | 0,433 | 1,740 | 0,748 | 0,685 | 0,086 |
| WTRLL516N01 | 5/16 | N1/8" | 0,295 | 1,665 | 0,897 | 0,562 | 0,076 |
| WTRLL516N02 | 5/16 | N1/4" | 0,413 | 1,783 | 0,897 | 0,562 | 0,073 |
| WTRLL516N03 | 5/16 | N3/8" | 0,433 | 1,822 | 0,897 | 0,685 | 0,100 |
| WTRLL38N02 | 3/8 | N1/4" | 0,413 | 2,047 | 1,035 | 0,685 | 0,137 |
| WTRLL38N03 | 3/8 | N3/8" | 0,433 | 2,106 | 1,035 | 0,685 | 0,125 |
| WTRLL38N04 | 3/8 | N1/2" | 0,551 | 2,244 | 1,035 | 0,874 | 0,192 |
| WTRLL1-2N02 | 1/2 | N1/4" | 0,413 | 2,342 | 1,165 | 0,874 | 0,191 |
| WTRLL1-2N03 | 1/2 | N3/8" | 0,433 | 2,362 | 1,165 | 0,874 | 0,222 |
| WTRLL1-2N04 | 1/2 | N1/2" | 0,551 | 2,480 | 1,165 | 0,874 | 0,197 |



WTRLH-R

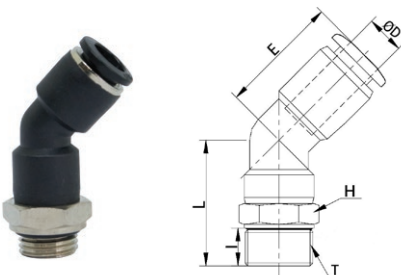
Swivel male elbow 45° BSPT thread nickel plated



| CODE | ØD | T | I | L | E | H | GR. |
|------------|----|-------|------|------|------|----|------|
| WTRLH04R01 | 4 | R1/8" | 7,0 | 22,2 | 16,2 | 10 | 8,0 |
| WTRLH04R02 | 4 | R1/4" | 9,5 | 25,7 | 16,2 | 14 | 13,8 |
| WTRLH06R01 | 6 | R1/8" | 7,0 | 23,9 | 17,7 | 12 | 11,0 |
| WTRLH06R02 | 6 | R1/4" | 9,5 | 26,9 | 17,7 | 14 | 16,0 |
| WTRLH06R03 | 6 | R3/8" | 10,5 | 28,4 | 17,7 | 17 | 22,2 |
| WTRLH06R04 | 6 | R1/2" | 13,5 | 31,9 | 17,7 | 21 | 35,4 |
| WTRLH08R01 | 8 | R1/8" | 7,0 | 27,1 | 20,9 | 14 | 17,3 |
| WTRLH08R02 | 8 | R1/4" | 9,5 | 29,6 | 20,9 | 14 | 17,4 |
| WTRLH08R03 | 8 | R3/8" | 10,5 | 31,1 | 20,9 | 17 | 25,0 |
| WTRLH08R04 | 8 | R1/2" | 13,5 | 34,6 | 20,9 | 21 | 37,9 |
| WTRLH10R01 | 10 | R1/8" | 7,0 | 29,7 | 22,2 | 17 | 30,0 |
| WTRLH10R02 | 10 | R1/4" | 9,5 | 32,2 | 22,2 | 17 | 30,7 |
| WTRLH10R03 | 10 | R3/8" | 10,5 | 33,2 | 22,2 | 17 | 30,1 |
| WTRLH10R04 | 10 | R1/2" | 13,5 | 36,7 | 22,2 | 21 | 46,6 |
| WTRLH12R02 | 12 | R1/4" | 9,5 | 35,2 | 26,3 | 21 | 42,6 |
| WTRLH12R03 | 12 | R3/8" | 10,5 | 36,2 | 26,3 | 21 | 45,0 |
| WTRLH12R04 | 12 | R1/2" | 13,5 | 39,2 | 26,3 | 21 | 49,5 |

WTRLH-G

Swivel male elbow 45° BSPP & metric thread nickel plated

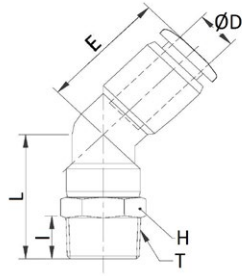


| CODE | ØD | T | I | L | E | H | GR. |
|------------|----|--------|-----|------|------|----|------|
| WTRLH04M5 | 4 | M5X0,8 | 3,8 | 20,0 | 16,2 | 10 | 8,1 |
| WTRLH04M6 | 4 | M6X1 | 4,5 | 20,7 | 16,2 | 10 | 8,3 |
| WTRLH04G01 | 4 | G1/8" | 5,0 | 22,7 | 16,2 | 14 | 11,7 |
| WTRLH04G02 | 4 | G1/4" | 5,8 | 24,0 | 16,2 | 17 | 17,8 |
| WTRLH06M5 | 6 | M5X0,8 | 3,8 | 21,7 | 17,7 | 12 | 10,8 |
| WTRLH06M6 | 6 | M6X1 | 4,5 | 22,4 | 17,7 | 12 | 11,5 |
| WTRLH06G01 | 6 | G1/8" | 5,0 | 23,9 | 17,7 | 14 | 14,2 |
| WTRLH06G02 | 6 | G1/4" | 5,8 | 25,2 | 17,7 | 17 | 17,5 |
| WTRLH06G03 | 6 | G3/8" | 6,8 | 26,7 | 17,7 | 20 | 24,0 |
| WTRLH06G04 | 6 | G1/2" | 8,0 | 27,9 | 17,7 | 24 | 38,0 |
| WTRLH08G01 | 8 | G1/8" | 5,0 | 26,6 | 20,9 | 14 | 17,2 |
| WTRLH08G02 | 8 | G1/4" | 5,8 | 27,9 | 20,9 | 17 | 20,2 |
| WTRLH08G03 | 8 | G3/8" | 6,8 | 29,4 | 20,9 | 20 | 26,3 |
| WTRLH08G04 | 8 | G1/2" | 8,0 | 30,6 | 20,9 | 24 | 36,5 |
| WTRLH10G01 | 10 | G1/8" | 5,0 | 29,2 | 22,2 | 17 | 30,6 |
| WTRLH10G02 | 10 | G1/4" | 5,8 | 30,0 | 22,2 | 17 | 29,9 |
| WTRLH10G03 | 10 | G3/8" | 6,8 | 31,5 | 22,2 | 20 | 34,0 |
| WTRLH10G04 | 10 | G1/2" | 8,0 | 33,7 | 22,2 | 24 | 46,7 |
| WTRLH12G02 | 12 | G1/4" | 5,8 | 33,5 | 26,3 | 21 | 42,4 |
| WTRLH12G03 | 12 | G3/8" | 6,8 | 34,5 | 26,3 | 21 | 43,0 |
| WTRLH12G04 | 12 | G1/2" | 8,0 | 36,2 | 26,3 | 24 | 50,3 |



WTRLH-N

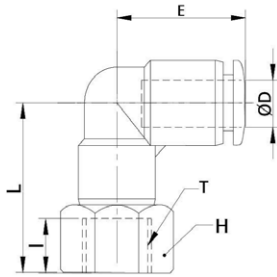
Swivel male elbow 45° NPT & UNF thread nickel plated



| CODE | ØD | T | I | L | E | H | LB |
|----------------|------|-----------|-------|-------|-------|-------|-------|
| WTRLH532UF1032 | 5/32 | UNF 10-32 | 0,149 | 0,814 | 0,637 | 0,437 | 0,016 |
| WTRLH532N01 | 5/32 | N1/8" | 0,295 | 0,893 | 0,637 | 0,437 | 0,017 |
| WTRLH532N02 | 5/32 | N1/4" | 0,413 | 1,051 | 0,637 | 0,562 | 0,030 |
| WTRLH316UF1032 | 3/16 | UNF 10-32 | 0,149 | 0,814 | 0,649 | 0,437 | 0,023 |
| WTRLH316N01 | 3/16 | N1/8" | 0,295 | 0,913 | 0,649 | 0,437 | 0,024 |
| WTRLH316N02 | 3/16 | N1/4" | 0,413 | 1,051 | 0,649 | 0,562 | 0,033 |
| WTRLH316N03 | 3/16 | N3/8" | 0,433 | 1,090 | 0,649 | 0,685 | 0,046 |
| WTRLH1-4UF1032 | 1/4 | UNF 10-32 | 0,149 | 0,909 | 0,696 | 0,5 | 0,023 |
| WTRLH1-4N01 | 1/4 | N1/8" | 0,295 | 0,960 | 0,696 | 0,5 | 0,024 |
| WTRLH1-4N02 | 1/4 | N1/4" | 0,413 | 1,097 | 0,696 | 0,562 | 0,035 |
| WTRLH1-4N03 | 1/4 | N3/8" | 0,433 | 1,137 | 0,696 | 0,685 | 0,049 |
| WTRLH516N01 | 5/16 | N1/8" | 0,295 | 0,295 | 0,822 | 0,562 | 0,038 |
| WTRLH516N02 | 5/16 | N1/4" | 0,413 | 0,413 | 0,822 | 0,562 | 0,038 |
| WTRLH516N03 | 5/16 | N3/8" | 0,433 | 0,433 | 0,822 | 0,685 | 0,055 |
| WTRLH38N01 | 3/8 | N1/8" | 0,295 | 1,118 | 0,874 | 0,685 | 0,066 |
| WTRLH38N02 | 3/8 | N1/4" | 0,413 | 1,307 | 0,874 | 0,685 | 0,067 |
| WTRLH38N03 | 3/8 | N3/8" | 0,433 | 1,326 | 0,874 | 0,685 | 0,066 |
| WTRLH38N04 | 3/8 | N1/2" | 0,551 | 1,464 | 0,874 | 0,874 | 0,102 |
| WTRLH1-2N02 | 1/2 | N1/4" | 0,413 | 1,425 | 1,035 | 0,874 | 0,093 |
| WTRLH1-2N03 | 1/2 | N3/8" | 0,433 | 1,444 | 1,035 | 0,874 | 0,99 |
| WTRLH1-2N04 | 1/2 | N1/2" | 0,551 | 1,562 | 1,035 | 0,874 | 0,109 |

WTRLF-G

Swivel female elbow BSPP & metric thread nickel plated

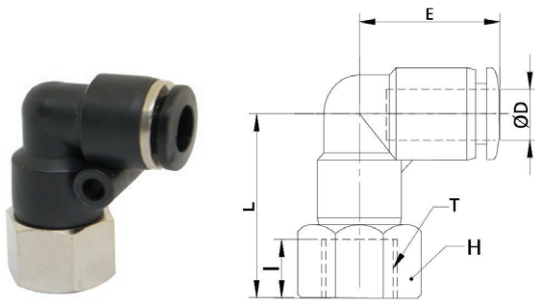


| CODE | ØD | T | I | L | E | H | GR. |
|------------|----|--------|------|------|------|------|------|
| WTRLF04M5 | 4 | M5X0,8 | 4,5 | 19,5 | 17,5 | 10,0 | 7,4 |
| WTRLF04M6 | 4 | M6X1 | 5,0 | 20,0 | 17,5 | 10,0 | 7,2 |
| WTRLF04G01 | 4 | G1/8" | 7,0 | 23,0 | 17,5 | 14,0 | 13,9 |
| WTRLF04G02 | 4 | G1/4" | 9,0 | 25,0 | 17,5 | 17,0 | 18,2 |
| WTRLF06M5 | 6 | M5X0,8 | 4,5 | 20,7 | 19,0 | 12,0 | 10,6 |
| WTRLF06M6 | 6 | M6X1 | 5,0 | 21,2 | 19,0 | 12,0 | 10,4 |
| WTRLF06G01 | 6 | G1/8" | 7,0 | 24,4 | 19,0 | 14,0 | 16,4 |
| WTRLF06G02 | 6 | G1/4" | 9,0 | 26,4 | 19,0 | 17,0 | 21,3 |
| WTRLF06G03 | 6 | G3/8" | 10,0 | 27,7 | 19,0 | 19,0 | 30,0 |
| WTRLF08G01 | 8 | G1/8" | 7,0 | 24,8 | 22,8 | 14,0 | 19,4 |
| WTRLF08G02 | 8 | G1/4" | 9,0 | 27,0 | 22,8 | 17,0 | 24,1 |
| WTRLF08G03 | 8 | G3/8" | 10,0 | 28,5 | 22,8 | 19,0 | 32,4 |
| WTRLF08G04 | 8 | G1/2" | 12,0 | 30,5 | 22,8 | 24,0 | 41,6 |
| WTRLF10G01 | 10 | G1/8" | 7,0 | 23,0 | 26,3 | 17,0 | 27,7 |
| WTRLF10G02 | 10 | G1/4" | 9,0 | 29,5 | 26,3 | 17,0 | 33,8 |
| WTRLF10G03 | 10 | G3/8" | 10,0 | 31,0 | 26,3 | 19,0 | 34,3 |
| WTRLF10G04 | 10 | G1/2" | 12,0 | 33,5 | 26,3 | 24,0 | 51,2 |
| WTRLF12G02 | 12 | G1/4" | 9,0 | 26,0 | 29,6 | 21,0 | 36,7 |
| WTRLF12G03 | 12 | G3/8" | 10,0 | 34,0 | 29,6 | 21,0 | 49,2 |
| WTRLF12G04 | 12 | G1/2" | 12,0 | 36,5 | 29,6 | 24,0 | 54,7 |



WTRLF-N

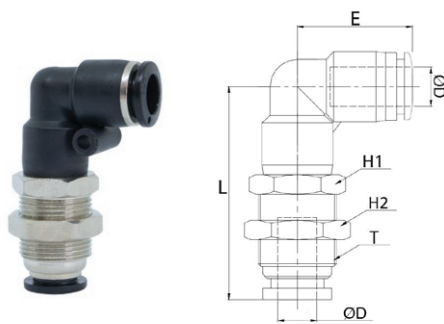
Swivel female elbow NPT thread nickel plated



| CODE | ØD | T | I | L | E | H | LB |
|-------------|------|-------|-------|-------|-------|-------|-------|
| WTRLF532N01 | 5/32 | N1/8" | 0,295 | 0,925 | 0,688 | 0,562 | 0,030 |
| WTRLF316N01 | 3/16 | N1/8" | 0,295 | 0,937 | 0,700 | 0,562 | 0,034 |
| WTRLF316N02 | 3/16 | N1/4" | 0,413 | 1,043 | 0,700 | 0,685 | 0,044 |
| WTRLF1-4N01 | 1/4 | N1/8" | 0,295 | 0,980 | 0,748 | 0,562 | 0,036 |
| WTRLF1-4N02 | 1/4 | N1/4" | 0,413 | 1,098 | 0,748 | 0,685 | 0,047 |
| WTRLF516N01 | 5/16 | N1/8" | 0,295 | 0,984 | 0,897 | 0,562 | 0,042 |
| WTRLF516N02 | 5/16 | N1/4" | 0,413 | 1,122 | 0,897 | 0,685 | 0,053 |
| WTRLF516N03 | 5/16 | N3/8" | 0,433 | 1,161 | 0,897 | 0,874 | 0,071 |
| WTRLF38N02 | 3/8 | N1/4" | 0,413 | 1,220 | 1,035 | 0,685 | 0,074 |
| WTRLF38N03 | 3/8 | N3/8" | 0,433 | 1,240 | 1,035 | 0,874 | 0,075 |
| WTRLF1-2N03 | 1/2 | N3/8" | 0,433 | 1,358 | 1,165 | 0,874 | 0,108 |
| WTRLF1-2N04 | 1/2 | N1/2" | 0,551 | 1,476 | 1,165 | 1 | 0,120 |

WTRLM

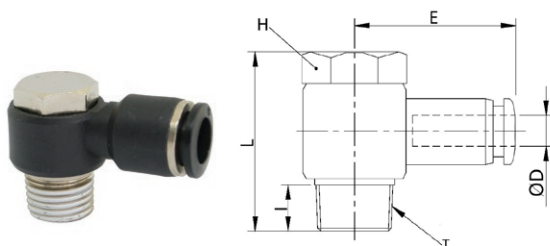
Bulkhead elbow nickel plated



| CODE | ØD | T | L | E | H1 | H2 | GR. |
|---------|----|-------|------|------|----|----|------|
| WTRLM04 | 4 | M12X1 | 28,5 | 17,5 | 14 | 14 | 15,0 |
| WTRLM06 | 6 | M14X1 | 34,1 | 19,0 | 17 | 17 | 27,2 |
| WTRLM08 | 8 | M16X1 | 43,4 | 22,8 | 17 | 19 | 38,0 |
| WTRLM10 | 10 | M20X1 | 45,5 | 26,3 | 21 | 24 | 55,0 |
| WTRLM12 | 12 | M22X1 | 51,6 | 29,6 | 24 | 27 | 85,0 |

WTRH-R

Swivel male banjo elbow BSPT thread nickel plated

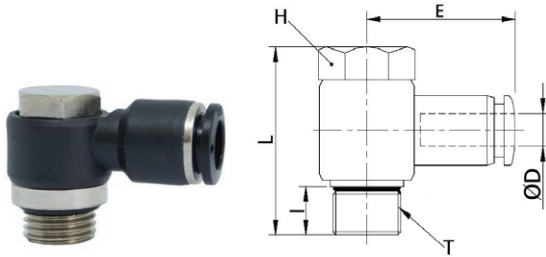


| CODE | ØD | T | I | L | E | H | GR. |
|-----------|----|-------|------|------|-------|----|------|
| WTRH04R01 | 4 | R1/8" | 7,0 | 23,0 | 22,3 | 10 | 10,5 |
| WTRH04R02 | 4 | R1/4" | 9,5 | 26,3 | 24,05 | 14 | 21,9 |
| WTRH06R01 | 6 | R1/8" | 7,0 | 23,0 | 23,1 | 10 | 11,0 |
| WTRH06R02 | 6 | R1/4" | 9,5 | 26,3 | 25,1 | 14 | 22,5 |
| WTRH06R03 | 6 | R3/8" | 10,5 | 31,9 | 26,8 | 19 | 37,8 |
| WTRH08R01 | 8 | R1/8" | 7,0 | 23,0 | 25,6 | 10 | 11,8 |
| WTRH08R02 | 8 | R1/4" | 9,5 | 26,3 | 28,6 | 14 | 23,3 |
| WTRH08R03 | 8 | R3/8" | 10,5 | 31,9 | 29,6 | 19 | 38,4 |
| WTRH08R04 | 8 | R1/2" | 13,5 | 38,6 | 32,6 | 24 | 75,4 |
| WTRH10R02 | 10 | R1/4" | 9,5 | 26,3 | 31,0 | 14 | 26,7 |
| WTRH10R03 | 10 | R3/8" | 10,5 | 31,9 | 31,6 | 19 | 41,8 |
| WTRH10R04 | 10 | R1/2" | 13,5 | 38,6 | 34,6 | 24 | 78,8 |
| WTRH12R02 | 12 | R1/4" | 9,5 | 26,3 | 33,5 | 14 | 28,2 |
| WTRH12R03 | 12 | R3/8" | 10,5 | 31,9 | 35,6 | 19 | 43,4 |
| WTRH12R04 | 12 | R1/2" | 13,5 | 38,6 | 36,6 | 24 | 80,3 |



WTRH-G

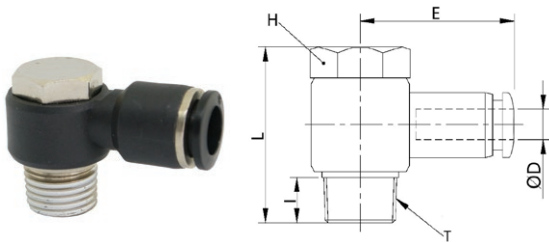
Swivel male banjo elbow BSPP & metric thread nickel plated



| CODE | ØD | T | I | L | E | H | GR. |
|-----------|----|--------|-----|------|-------|----|------|
| WTRH04M5 | 4 | M5X0,8 | 4,0 | 18,0 | 20,0 | 8 | 6,6 |
| WTRH04M6 | 4 | M6X1 | 4,5 | 18,5 | 20,0 | 8 | 11,8 |
| WTRH04G01 | 4 | G1/8" | 5,0 | 22,5 | 22,3 | 10 | 11,5 |
| WTRH06M5 | 6 | M5X0,8 | 4,0 | 18,0 | 21,9 | 8 | 7,2 |
| WTRH06M6 | 6 | M6X1 | 4,5 | 18,5 | 21,9 | 8 | 12,4 |
| WTRH06G01 | 6 | G1/8" | 5,0 | 22,5 | 23,1 | 10 | 12,0 |
| WTRH06G02 | 6 | G1/4" | 5,8 | 26,2 | 25,15 | 14 | 23,0 |
| WTRH08G01 | 8 | G1/8" | 5,0 | 22,5 | 25,6 | 10 | 12,8 |
| WTRH08G02 | 8 | G1/4" | 5,8 | 26,2 | 28,65 | 14 | 23,8 |
| WTRH08G03 | 8 | G3/8" | 6,8 | 31,7 | 29,6 | 19 | 40,9 |
| WTRH10G02 | 10 | G1/4" | 5,8 | 26,2 | 31,05 | 14 | 27,2 |
| WTRH10G03 | 10 | G3/8" | 6,8 | 31,7 | 31,6 | 19 | 44,3 |
| WTRH12G03 | 12 | G3/8" | 6,8 | 31,7 | 35,6 | 19 | 45,9 |
| WTRH12G04 | 12 | G1/2" | 8,0 | 37,1 | 36,6 | 24 | 79,3 |

WTRH-N

Swivel male banjo elbow NPT & UNF thread nickel plated

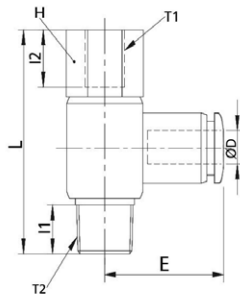


| CODE | ØD | T | I | L | E | H | LB |
|---------------|------|-----------|-------|-------|-------|-------|-------|
| WTRH532UF1032 | 5/32 | UNF 10-32 | 0,149 | 0,700 | 0,787 | 0,314 | 0,022 |
| WTRH532N01 | 5/32 | N1/8" | 0,295 | 0,925 | 0,877 | 0,437 | 0,023 |
| WTRH316UF1032 | 3/16 | UNF 10-32 | 0,149 | 0,700 | 0,799 | 0,314 | 0,023 |
| WTRH316N01 | 3/16 | N1/8" | 0,295 | 0,925 | 0,889 | 0,437 | 0,024 |
| WTRH316N02 | 3/16 | N1/4" | 0,413 | 1,074 | 0,956 | 0,562 | 0,049 |
| WTRH1-4N01 | 1/4 | N1/8" | 0,295 | 0,295 | 0,909 | 0,437 | 0,024 |
| WTRH1-4N02 | 1/4 | N1/4" | 0,413 | 1,074 | 0,988 | 0,562 | 0,049 |
| WTRH516N01 | 5/16 | N1/8" | 0,295 | 0,925 | 1,007 | 0,437 | 0,026 |
| WTRH516N02 | 5/16 | N1/4" | 0,413 | 1,074 | 1,125 | 0,562 | 0,051 |
| WTRH516N03 | 5/16 | N3/8" | 0,433 | 1,275 | 1,165 | 0,748 | 0,084 |
| WTRH38N02 | 3/8 | N1/4" | 0,413 | 1,074 | 1,220 | 0,562 | 0,058 |
| WTRH38N03 | 3/8 | N3/8" | 0,433 | 1,275 | 1,244 | 0,748 | 0,092 |
| WTRH1-2N03 | 1/2 | N3/8" | 0,433 | 1,275 | 1,401 | 0,748 | 0,095 |
| WTRH1-2N04 | 1/2 | N1/2" | 0,551 | 1,539 | 1,440 | 1 | 0,177 |



WTRHF-R

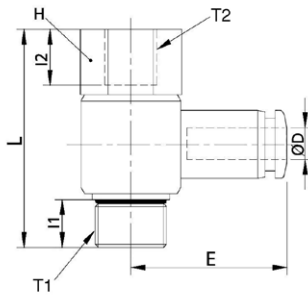
Swivel female banjo elbow BSPT thread nickel plated



| CODE | ØD | T1 | T2 | I1 | I2 | H | L | E | GR. |
|------------|----|-------|-------|------|------|----|------|------|------|
| WTRHF04R01 | 4 | G1/8" | R1/8" | 7,0 | 7,0 | 14 | 29,0 | 22,3 | 16,4 |
| WTRHF04R02 | 4 | G1/4" | R1/4" | 9,5 | 9,0 | 17 | 33,3 | 24,1 | 27,4 |
| WTRHF06R01 | 6 | G1/8" | R1/8" | 7,0 | 7,0 | 14 | 29,0 | 23,1 | 17,0 |
| WTRHF06R02 | 6 | G1/4" | R1/4" | 9,5 | 9,0 | 17 | 33,3 | 25,1 | 28,0 |
| WTRHF06R03 | 6 | G3/8" | R3/8" | 10,5 | 10,0 | 19 | 39,9 | 26,8 | 44,8 |
| WTRHF08R01 | 8 | G1/8" | R1/8" | 7,0 | 7,0 | 14 | 29,0 | 25,6 | 17,8 |
| WTRHF08R02 | 8 | G1/4" | R1/4" | 9,5 | 9,0 | 17 | 33,3 | 28,6 | 28,8 |
| WTRHF08R03 | 8 | G3/8" | R3/8" | 10,5 | 10,0 | 19 | 39,9 | 29,6 | 45,4 |
| WTRHF08R04 | 8 | G1/2" | R1/2" | 13,5 | 12,0 | 24 | 46,5 | 32,6 | 71,9 |
| WTRHF10R02 | 10 | G1/4" | R1/4" | 9,5 | 9,0 | 17 | 33,3 | 31,0 | 32,2 |
| WTRHF10R03 | 10 | G3/8" | R3/8" | 10,5 | 10,0 | 19 | 39,9 | 31,6 | 48,8 |
| WTRHF10R04 | 10 | G1/2" | R1/2" | 13,5 | 12,0 | 24 | 46,5 | 34,6 | 75,3 |
| WTRHF12R02 | 12 | G1/4" | R1/4" | 9,5 | 9,0 | 17 | 33,3 | 33,5 | 33,7 |
| WTRHF12R03 | 12 | G3/8" | R3/8" | 10,5 | 10,0 | 19 | 39,9 | 35,6 | 50,4 |
| WTRHF12R04 | 12 | G1/2" | R1/2" | 13,5 | 12,0 | 24 | 46,5 | 36,6 | 76,8 |

WTRHF-G

Swivel female banjo elbow BSPP & metric thread nickel plated

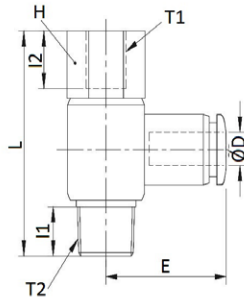


| CODE | ØD | T1 | T2 | I1 | I2 | H | L | E | GR. |
|------------|----|--------|--------|-----|------|----|------|------|------|
| WTRHF04M5 | 4 | M5X0,8 | M5X0,8 | 4,0 | 5,5 | 10 | 20,5 | 20,0 | 8,3 |
| WTRHF04M6 | 4 | M6X1 | M6X1 | 4,5 | 6,0 | 10 | 21,0 | 20,0 | 8,3 |
| WTRHF04G01 | 4 | G1/8" | G1/8" | 5,5 | 7,0 | 14 | 30,0 | 22,3 | 18,4 |
| WTRHF06M5 | 6 | M5X0,8 | M5X0,8 | 4,0 | 5,5 | 10 | 20,5 | 21,9 | 8,9 |
| WTRHF06M6 | 6 | M6X1 | M6X1 | 4,5 | 6,0 | 10 | 21,0 | 21,9 | 8,9 |
| WTRHF06G01 | 6 | G1/8" | G1/8" | 5,5 | 7,0 | 14 | 30,0 | 23,1 | 19,0 |
| WTRHF06G02 | 6 | G1/4" | G1/4" | 6,5 | 9,0 | 17 | 33,7 | 25,1 | 30,5 |
| WTRHF08G01 | 8 | G1/8" | G1/8" | 5,5 | 7,0 | 14 | 30,0 | 25,6 | 19,8 |
| WTRHF08G02 | 8 | G1/4" | G1/4" | 6,5 | 9,0 | 17 | 33,7 | 28,6 | 31,3 |
| WTRHF08G03 | 8 | G3/8" | G3/8" | 7,5 | 10,0 | 19 | 39,7 | 29,6 | 47,9 |
| WTRHF10G02 | 10 | G1/4" | G1/4" | 6,5 | 9,0 | 17 | 33,7 | 31,1 | 34,7 |
| WTRHF10G03 | 10 | G3/8" | G3/8" | 7,5 | 10,0 | 19 | 39,7 | 31,6 | 51,3 |
| WTRHF12G03 | 12 | G3/8" | G3/8" | 7,5 | 10,0 | 19 | 39,7 | 35,6 | 52,9 |
| WTRHF12G04 | 12 | G1/2" | G1/2" | 9,0 | 12,0 | 24 | 45,0 | 36,6 | 77,3 |



WTRHF-N

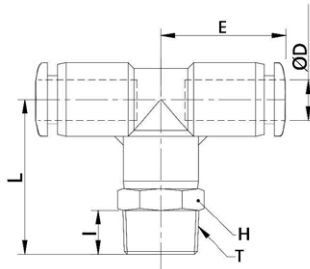
Swivel female banjo elbow NPT & UNF thread nickel plated



| CODE | ØD | T1 | T2 | I1 | I2 | H | B | E | LB |
|----------------|------|-----------|-----------|-------|-------|-------|-------|-------|-------|
| WTRHF532UF1032 | 5/32 | UNF 10-32 | UNF 10-32 | 0,149 | 0,216 | 0,437 | 0,767 | 0,787 | 0,034 |
| WTRHF532N01 | 5/32 | N1/8" | N1/8" | 0,295 | 0,295 | 0,562 | 1,181 | 0,877 | 0,036 |
| WTRHF316UF1032 | 3/16 | UNF 10-32 | UNF 10-32 | 0,149 | 0,216 | 0,437 | 0,767 | 0,799 | 0,035 |
| WTRHF316N01 | 3/16 | N1/8" | N1/8" | 0,295 | 0,295 | 0,562 | 1,181 | 0,889 | 0,037 |
| WTRHF316N02 | 3/16 | N1/4" | N1/4" | 0,413 | 0,413 | 0,685 | 1,409 | 0,956 | 0,061 |
| WTRHF1-4N01 | 1/4 | N1/8" | N1/8" | 0,295 | 0,295 | 0,562 | 1,181 | 0,909 | 0,037 |
| WTRHF1-4N02 | 1/4 | N1/4" | N1/4" | 0,413 | 0,413 | 0,685 | 1,409 | 0,988 | 0,061 |
| WTRHF516N01 | 5/16 | N1/8" | N1/8" | 0,295 | 0,295 | 0,562 | 1,181 | 1,007 | 0,039 |
| WTRHF516N02 | 5/16 | N1/4" | N1/4" | 0,413 | 0,413 | 0,685 | 1,409 | 1,125 | 0,063 |
| WTRHF516N03 | 5/16 | N3/8" | N3/8" | 0,433 | 0,433 | 0,874 | 1,610 | 1,165 | 0,100 |
| WTRHF38N02 | 3/8 | N1/4" | N1/4" | 0,413 | 0,413 | 0,685 | 1,409 | 1,220 | 0,070 |
| WTRHF38N03 | 3/8 | N3/8" | N3/8" | 0,433 | 0,433 | 0,874 | 1,610 | 1,244 | 0,107 |
| WTRHF1-2N03 | 1/2 | N3/8" | N3/8" | 0,433 | 0,433 | 0,874 | 1,610 | 1,401 | 0,111 |
| WTRHF1-2N04 | 1/2 | N1/2" | N1/2" | 0,551 | 0,551 | 1 | 1,929 | 1,440 | 0,170 |

WTRT-R

Swivel male central tee BSPT thread nickel plated

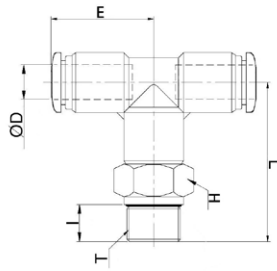


| CODE | ØD | T | I | L | E | H | GR. |
|-----------|----|-------|------|-------|-------|----|------|
| WTRT04R01 | 4 | R1/8" | 7,0 | 24,5 | 18,5 | 10 | 10,5 |
| WTRT04R02 | 4 | R1/4" | 9,5 | 28,0 | 18,5 | 14 | 16,3 |
| WTRT06R01 | 6 | R1/8" | 7,0 | 25,5 | 19,3 | 12 | 14,1 |
| WTRT06R02 | 6 | R1/4" | 9,5 | 28,5 | 19,3 | 14 | 19,1 |
| WTRT06R03 | 6 | R3/8" | 10,5 | 30,0 | 19,3 | 17 | 25,2 |
| WTRT06R04 | 6 | R1/2" | 13,5 | 33,5 | 19,3 | 21 | 38,5 |
| WTRT08R01 | 8 | R1/8" | 7,0 | 29,0 | 22,75 | 14 | 20,9 |
| WTRT08R02 | 8 | R1/4" | 9,5 | 31,45 | 22,75 | 14 | 21,0 |
| WTRT08R03 | 8 | R3/8" | 10,5 | 32,95 | 22,75 | 17 | 28,6 |
| WTRT08R04 | 8 | R1/2" | 13,5 | 36,45 | 22,75 | 21 | 41,5 |
| WTRT10R01 | 10 | R1/8" | 7,0 | 34,5 | 27,0 | 17 | 37,9 |
| WTRT10R02 | 10 | R1/4" | 9,5 | 37,0 | 27,0 | 17 | 38,6 |
| WTRT10R03 | 10 | R3/8" | 10,5 | 38,0 | 27,0 | 17 | 38,0 |
| WTRT10R04 | 10 | R1/2" | 13,5 | 41,5 | 27,0 | 21 | 54,5 |
| WTRT12R02 | 12 | R1/4" | 9,5 | 38,5 | 29,6 | 20 | 52,8 |
| WTRT12R03 | 12 | R3/8" | 10,5 | 39,5 | 29,6 | 20 | 55,2 |
| WTRT12R04 | 12 | R1/2" | 13,5 | 42,5 | 29,6 | 21 | 59,7 |
| WTRT16R03 | 16 | R3/8" | 10,5 | 43,0 | 33,0 | 24 | 81,0 |
| WTRT16R04 | 16 | R1/2" | 13,5 | 46,0 | 33,0 | 24 | 85,5 |



WTRT-G

Swivel male central tee BSPP & metric thread nickel plated

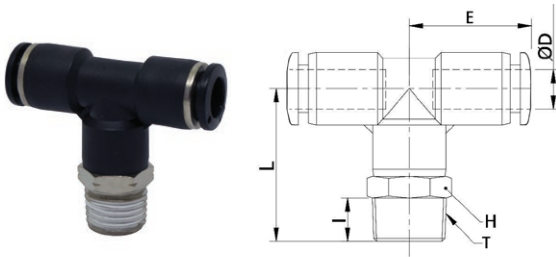


| CODE | ØD | T | I | L | E | H | GR. |
|-----------|----|--------|-----|-------|-------|----|------|
| WTRT04M5 | 4 | M5X0,8 | 3,8 | 22,3 | 18,5 | 10 | 10,6 |
| WTRT04M6 | 4 | M6X1 | 4,5 | 23,0 | 18,5 | 10 | 10,8 |
| WTRT04G01 | 4 | G1/8" | 5,0 | 25,0 | 18,5 | 14 | 14,2 |
| WTRT04G02 | 4 | G1/4" | 5,8 | 26,3 | 18,5 | 17 | 20,3 |
| WTRT06M5 | 6 | M5X0,8 | 3,8 | 23,3 | 19,3 | 12 | 13,9 |
| WTRT06M6 | 6 | M6X1 | 4,5 | 24,0 | 19,3 | 12 | 14,6 |
| WTRT06G01 | 6 | G1/8" | 5,0 | 25,5 | 19,3 | 14 | 17,2 |
| WTRT06G02 | 6 | G1/4" | 5,8 | 26,8 | 19,3 | 17 | 20,5 |
| WTRT06G03 | 6 | G3/8" | 6,8 | 28,3 | 19,3 | 20 | 27,0 |
| WTRT06G04 | 6 | G1/2" | 8,0 | 29,5 | 19,3 | 24 | 41,0 |
| WTRT08G01 | 8 | G1/8" | 5,0 | 28,45 | 22,75 | 14 | 20,8 |
| WTRT08G02 | 8 | G1/4" | 5,8 | 29,75 | 22,75 | 17 | 23,8 |
| WTRT08G03 | 8 | G3/8" | 6,8 | 31,25 | 22,75 | 20 | 29,9 |
| WTRT08G04 | 8 | G1/2" | 8,0 | 32,45 | 22,75 | 24 | 40,1 |
| WTRT10G01 | 10 | G1/8" | 5,0 | 34,0 | 27,0 | 17 | 38,4 |
| WTRT10G02 | 10 | G1/4" | 5,8 | 34,8 | 27,0 | 17 | 37,7 |
| WTRT10G03 | 10 | G3/8" | 6,8 | 36,3 | 27,0 | 20 | 41,8 |
| WTRT10G04 | 10 | G1/2" | 8,0 | 38,5 | 27,0 | 24 | 54,5 |
| WTRT12G02 | 12 | G1/4" | 5,8 | 36,8 | 29,6 | 21 | 52,4 |
| WTRT12G03 | 12 | G3/8" | 6,8 | 37,8 | 29,6 | 21 | 53,0 |
| WTRT12G04 | 12 | G1/2" | 8,0 | 39,5 | 29,6 | 24 | 60,3 |
| WTRT14G03 | 14 | G3/8" | 6,8 | 39,8 | 31,7 | 21 | 61,0 |
| WTRT14G04 | 14 | G1/2" | 8,0 | 41,5 | 31,7 | 24 | 69,0 |
| WTRT16G03 | 16 | G3/8" | 6,8 | 40,8 | 33,0 | 24 | 76,6 |
| WTRT16G04 | 16 | G1/2" | 8,0 | 42,0 | 33,0 | 24 | 79,4 |



WTRT-N

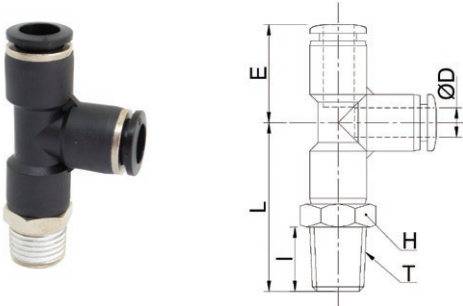
Swivel male central tee NPT & UNF thread nickel plated



| CODE | ØD | T | I | L | E | H | LB |
|---------------|------|-----------|-------|-------|-------|-------|-------|
| WTRT532UF1032 | 5/32 | UNF 10-32 | 0,149 | 0,905 | 0,728 | 0,437 | 0,022 |
| WTRT532N01 | 5/32 | N1/8" | 0,295 | 0,984 | 0,728 | 0,437 | 0,023 |
| WTRT532N02 | 5/32 | N1/4" | 0,413 | 1,141 | 0,728 | 0,562 | 0,036 |
| WTRT316UF1032 | 3/16 | UNF 10-32 | 0,149 | 0,905 | 0,740 | 0,437 | 0,028 |
| WTRT316N01 | 3/16 | N1/8" | 0,295 | 1,003 | 0,740 | 0,437 | 0,029 |
| WTRT316N02 | 3/16 | N1/4" | 0,413 | 1,141 | 0,740 | 0,562 | 0,040 |
| WTRT316N03 | 3/16 | N3/8" | 0,433 | 1,181 | 0,740 | 0,685 | 0,052 |
| WTRT1-4UF1032 | 1/4 | UNF 10-32 | 0,149 | 0,972 | 0,759 | 0,5 | 0,029 |
| WTRT1-4N01 | 1/4 | N1/8" | 0,295 | 1,023 | 0,759 | 0,5 | 0,031 |
| WTRT1-4N02 | 1/4 | N1/4" | 0,413 | 1,161 | 0,759 | 0,562 | 0,042 |
| WTRT1-4N03 | 1/4 | N3/8" | 0,433 | 1,200 | 0,759 | 0,685 | 0,055 |
| WTRT516N01 | 5/16 | N1/8" | 0,295 | 1,159 | 0,895 | 0,562 | 0,046 |
| WTRT516N02 | 5/16 | N1/4" | 0,413 | 1,277 | 0,895 | 0,562 | 0,046 |
| WTRT516N03 | 5/16 | N3/8" | 0,433 | 1,316 | 0,895 | 0,685 | 0,063 |
| WTRT38N01 | 3/8 | N1/8" | 0,295 | 1,377 | 1,062 | 0,685 | 0,083 |
| WTRT38N02 | 3/8 | N1/4" | 0,413 | 1,496 | 1,062 | 0,685 | 0,085 |
| WTRT38N03 | 3/8 | N3/8" | 0,433 | 1,515 | 1,062 | 0,685 | 0,083 |
| WTRT38N04 | 3/8 | N1/2" | 0,551 | 1,653 | 1,062 | 0,874 | 0,120 |
| WTRT1-2N02 | 1/2 | N1/4" | 0,413 | 1,555 | 1,165 | 0,874 | 0,116 |
| WTRT1-2N03 | 1/2 | N3/8" | 0,433 | 1,574 | 1,165 | 0,874 | 0,121 |
| WTRT1-2N04 | 1/2 | N1/2" | 0,551 | 1,692 | 1,165 | 0,874 | 0,131 |

WTRST-R

Swivel lateral male tee BSPT thread nickel plated

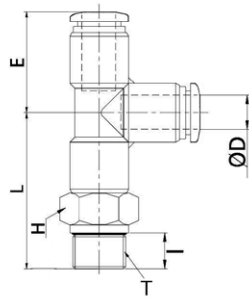


| CODE | ØD | T | I | L | E | H | GR. |
|------------|----|-------|------|-------|-------|----|------|
| WTRST04R01 | 4 | R1/8" | 7,0 | 24,5 | 18,5 | 10 | 10,5 |
| WTRST04R02 | 4 | R1/4" | 9,5 | 28,0 | 18,5 | 14 | 16,3 |
| WTRST06R01 | 6 | R1/8" | 7,0 | 25,5 | 19,3 | 12 | 14,1 |
| WTRST06R02 | 6 | R1/4" | 9,5 | 28,5 | 19,3 | 14 | 19,1 |
| WTRST06R03 | 6 | R3/8" | 10,5 | 30,0 | 19,3 | 17 | 25,2 |
| WTRST06R04 | 6 | R1/2" | 13,5 | 33,5 | 19,3 | 21 | 38,5 |
| WTRST08R01 | 8 | R1/8" | 7,0 | 29,0 | 22,75 | 14 | 20,9 |
| WTRST08R02 | 8 | R1/4" | 9,5 | 31,45 | 22,75 | 14 | 21,0 |
| WTRST08R03 | 8 | R3/8" | 10,5 | 32,95 | 22,75 | 17 | 28,6 |
| WTRST08R04 | 8 | R1/2" | 13,5 | 36,45 | 22,75 | 21 | 41,5 |
| WTRST10R01 | 10 | R1/8" | 7,0 | 34,5 | 27,0 | 17 | 37,9 |
| WTRST10R02 | 10 | R1/4" | 9,5 | 37,0 | 27,0 | 17 | 38,6 |
| WTRST10R03 | 10 | R3/8" | 10,5 | 38,0 | 27,0 | 17 | 38,0 |
| WTRST10R04 | 10 | R1/2" | 13,5 | 41,5 | 27,0 | 21 | 54,5 |
| WTRST12R02 | 12 | R1/4" | 9,5 | 38,5 | 29,6 | 20 | 52,8 |
| WTRST12R03 | 12 | R3/8" | 10,5 | 39,5 | 29,6 | 20 | 55,2 |
| WTRST12R04 | 12 | R1/2" | 13,5 | 42,5 | 29,6 | 21 | 59,7 |



WTRST-G

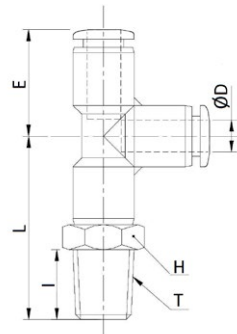
Swivel male lateral tee BSPP & metric thread nickel plated



| CODE | ØD | T | I | L | E | H | GR. |
|------------|----|--------|-----|-------|-------|----|------|
| WTRST04M5 | 4 | M5X0,8 | 3,8 | 22,3 | 18,5 | 10 | 10,6 |
| WTRST04M6 | 4 | M6X1 | 4,5 | 23,0 | 18,5 | 10 | 10,8 |
| WTRST04G01 | 4 | G1/8" | 5,0 | 25,0 | 18,5 | 14 | 14,2 |
| WTRST04G02 | 4 | G1/4" | 5,8 | 26,3 | 18,5 | 17 | 20,3 |
| WTRST06M5 | 6 | M5X0,8 | 3,8 | 23,3 | 19,3 | 12 | 13,9 |
| WTRST06M6 | 6 | M6X1 | 4,5 | 24,0 | 19,3 | 12 | 14,6 |
| WTRST06G01 | 6 | G1/8" | 5,0 | 25,5 | 19,3 | 14 | 17,2 |
| WTRST06G02 | 6 | G1/4" | 5,8 | 26,8 | 19,3 | 17 | 20,5 |
| WTRST06G03 | 6 | G3/8" | 6,8 | 28,3 | 19,3 | 20 | 27,0 |
| WTRST06G04 | 6 | G1/2" | 8,0 | 29,5 | 19,3 | 24 | 41,0 |
| WTRST08G01 | 8 | G1/8" | 5,0 | 28,45 | 22,75 | 14 | 20,8 |
| WTRST08G02 | 8 | G1/4" | 5,8 | 29,75 | 22,75 | 17 | 23,8 |
| WTRST08G03 | 8 | G3/8" | 6,8 | 31,25 | 22,75 | 20 | 29,9 |
| WTRST08G04 | 8 | G1/2" | 8,0 | 32,45 | 22,75 | 24 | 40,1 |
| WTRST10G01 | 10 | G1/8" | 5,0 | 34,0 | 27,0 | 17 | 38,4 |
| WTRST10G02 | 10 | G1/4" | 5,8 | 34,8 | 27,0 | 17 | 37,7 |
| WTRST10G03 | 10 | G3/8" | 6,8 | 36,3 | 27,0 | 20 | 41,8 |
| WTRST10G04 | 10 | G1/2" | 8,0 | 38,5 | 27,0 | 24 | 54,5 |
| WTRST12G02 | 12 | G1/4" | 5,8 | 36,8 | 29,6 | 21 | 52,4 |
| WTRST12R03 | 12 | G3/8" | 6,8 | 37,8 | 29,6 | 21 | 53,0 |
| WTRST12G04 | 12 | G1/2" | 8,0 | 39,5 | 29,6 | 24 | 60,3 |

WTRST-N

Swivel lateral male tee NPT & UNF nickel plated

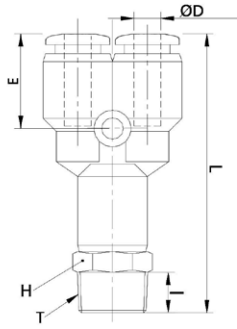


| CODE | ØD | T | I | L | E | H | LB |
|----------------|------|-----------|-------|-------|-------|-------|-------|
| WTRST532UF1032 | 5/32 | UNF 10-32 | 0,149 | 0,905 | 0,728 | 0,437 | 0,022 |
| WTRST532N01 | 5/32 | N1/8" | 0,295 | 0,984 | 0,728 | 0,437 | 0,023 |
| WTRST532N02 | 5/32 | N1/4" | 0,413 | 1,141 | 0,728 | 0,562 | 0,036 |
| WTRST316UF1032 | 3/16 | UNF 10-32 | 0,149 | 0,905 | 0,740 | 0,437 | 0,029 |
| WTRST316N01 | 3/16 | N1/8" | 0,295 | 1,003 | 0,740 | 0,437 | 0,031 |
| WTRST316N02 | 3/16 | N1/4" | 0,413 | 1,141 | 0,740 | 0,562 | 0,040 |
| WTRST316N03 | 3/16 | N3/8" | 0,433 | 1,181 | 0,740 | 0,685 | 0,052 |
| WTRST1-4UF1032 | 1/4 | UNF 10-32 | 0,149 | 0,972 | 0,759 | 0,5 | 0,031 |
| WTRST1-4N01 | 1/4 | N1/8" | 0,295 | 1,023 | 0,759 | 0,5 | 0,032 |
| WTRST1-4N02 | 1/4 | N1/4" | 0,413 | 1,161 | 0,759 | 0,562 | 0,042 |
| WTRST1-4N03 | 1/4 | N3/8" | 0,433 | 1,200 | 0,759 | 0,685 | 0,055 |
| WTRST516N01 | 5/16 | N1/8" | 0,295 | 1,159 | 0,895 | 0,562 | 0,046 |
| WTRST516N02 | 5/16 | N1/4" | 0,413 | 1,277 | 0,895 | 0,562 | 0,046 |
| WTRST516N03 | 5/16 | N3/8" | 0,433 | 1,316 | 0,895 | 0,685 | 0,063 |
| WTRST38N01 | 3/8 | N1/8" | 0,295 | 1,377 | 1,062 | 0,685 | 0,083 |
| WTRST38N02 | 3/8 | N1/4" | 0,413 | 1,496 | 1,062 | 0,685 | 0,085 |
| WTRST38N03 | 3/8 | N3/8" | 0,433 | 1,515 | 1,062 | 0,685 | 0,083 |
| WTRST38N04 | 3/8 | N1/2" | 0,551 | 1,653 | 1,062 | 0,874 | 0,120 |
| WTRST1-2N02 | 1/2 | N1/4" | 0,413 | 1,555 | 1,165 | 0,874 | 0,116 |
| WTRST1-2N03 | 1/2 | N3/8" | 0,433 | 1,574 | 1,165 | 0,874 | 0,121 |
| WTRST1-2N04 | 1/2 | N1/2" | 0,551 | 1,692 | 1,165 | 0,874 | 0,131 |



WTRWT-R

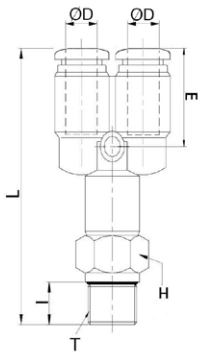
Swivel male Y BSPT thread nickel plated



| CODE | ØD | T | I | L | E | H | GR. |
|------------|----|-------|------|------|------|----|------|
| WTRWT04R01 | 4 | R1/8" | 7,0 | 41,5 | 14,0 | 10 | 10,7 |
| WTRWT04R02 | 4 | R1/4" | 9,5 | 45,0 | 14,0 | 14 | 16,6 |
| WTRWT06R01 | 6 | R1/8" | 7,0 | 43,3 | 14,8 | 12 | 14,6 |
| WTRWT06R02 | 6 | R1/4" | 9,5 | 46,3 | 14,8 | 14 | 19,6 |
| WTRWT06R03 | 6 | R3/8" | 10,5 | 47,8 | 14,8 | 17 | 25,8 |
| WTRWT06R04 | 6 | R1/2" | 13,5 | 51,3 | 14,8 | 21 | 39,0 |
| WTRWT08R01 | 8 | R1/8" | 7,0 | 46,6 | 18,2 | 14 | 21,0 |
| WTRWT08R02 | 8 | R1/4" | 9,5 | 49,1 | 18,2 | 14 | 21,1 |
| WTRWT08R03 | 8 | R3/8" | 10,5 | 50,6 | 18,2 | 17 | 28,7 |
| WTRWT08R04 | 8 | R1/2" | 13,5 | 54,1 | 18,2 | 21 | 41,6 |
| WTRWT10R01 | 10 | R1/8" | 7,0 | 54,6 | 19,5 | 17 | 38,3 |
| WTRWT10R02 | 10 | R1/4" | 9,5 | 57,1 | 19,5 | 17 | 39,0 |
| WTRWT10R03 | 10 | R3/8" | 10,5 | 58,1 | 19,5 | 17 | 38,4 |
| WTRWT10R04 | 10 | R1/2" | 13,5 | 61,6 | 19,5 | 21 | 54,9 |
| WTRWT12R02 | 12 | R1/4" | 9,5 | 62,1 | 21,6 | 21 | 53,6 |
| WTRWT12R03 | 12 | R3/8" | 10,5 | 63,1 | 21,6 | 21 | 46,0 |
| WTRWT12R04 | 12 | R1/2" | 13,5 | 66,1 | 21,6 | 21 | 60,5 |

WTRWT-G

Swivel male Y BSPP & metric thread nickel plated

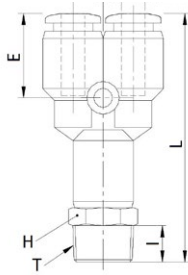


| CODE | ØD | T | I | L | E | H | GR. |
|------------|----|--------|-----|------|------|----|------|
| WTRWT04M5 | 4 | M5X0,8 | 4,0 | 18,0 | 14,0 | 10 | 10,8 |
| WTRWT04M6 | 4 | M6X1 | 4,5 | 18,5 | 14,0 | 10 | 11,0 |
| WTRWT04G01 | 4 | G1/8" | 5,0 | 42,0 | 14,0 | 14 | 14,5 |
| WTRWT04G02 | 4 | G1/4" | 5,8 | 43,3 | 14,0 | 17 | 20,6 |
| WTRWT06M5 | 6 | M5X0,8 | 4,0 | 41,1 | 14,8 | 12 | 14,5 |
| WTRWT06M6 | 6 | M6X1 | 4,5 | 41,8 | 14,8 | 12 | 15,1 |
| WTRWT06G01 | 6 | G1/8" | 5,0 | 43,3 | 14,8 | 14 | 17,7 |
| WTRWT06G02 | 6 | G1/4" | 5,8 | 44,6 | 14,8 | 17 | 21,0 |
| WTRWT06G03 | 6 | G3/8" | 6,8 | 46,1 | 14,8 | 20 | 27,5 |
| WTRWT06G04 | 6 | G1/2" | 8,0 | 47,3 | 14,8 | 24 | 41,5 |
| WTRWT08G01 | 8 | G1/8" | 5,0 | 46,1 | 18,2 | 14 | 20,9 |
| WTRWT08G02 | 8 | G1/4" | 5,8 | 47,4 | 18,2 | 17 | 23,9 |
| WTRWT08G03 | 8 | G3/8" | 6,8 | 48,9 | 18,2 | 20 | 30,0 |
| WTRWT08G04 | 8 | G1/2" | 8,0 | 50,1 | 18,2 | 24 | 40,2 |
| WTRWT10G01 | 10 | G1/8" | 5,0 | 54,1 | 19,5 | 17 | 38,8 |
| WTRWT10G02 | 10 | G1/4" | 5,8 | 54,9 | 19,5 | 17 | 38,1 |
| WTRWT10G03 | 10 | G3/8" | 6,8 | 56,4 | 19,5 | 20 | 42,2 |
| WTRWT10G04 | 10 | G1/2" | 8,0 | 58,6 | 19,5 | 24 | 54,9 |
| WTRWT12G02 | 12 | G1/4" | 5,8 | 60,4 | 21,6 | 21 | 53,2 |
| WTRWT12G03 | 12 | G3/8" | 6,8 | 61,4 | 21,6 | 21 | 53,8 |
| WTRWT12G04 | 12 | G1/2" | 8,0 | 63,1 | 21,6 | 24 | 61,1 |



WTRWT-N

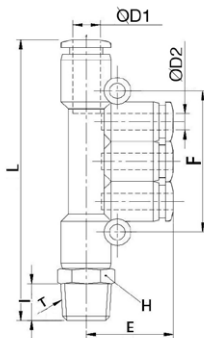
Swivel male Y NPT & UNF thread nickel plated



| CODE | ØD | T | I | L | E | H | LB |
|----------------|------|-----------|-------|-------|-------|-------|-------|
| WTRWT532UF1032 | 5/32 | UNF 10-32 | 0,149 | 1,574 | 0,551 | 0,437 | 0,022 |
| WTRWT532N01 | 5/32 | N1/8" | 0,295 | 1,653 | 0,551 | 0,437 | 0,023 |
| WTRWT532N02 | 5/32 | N1/4" | 0,413 | 1,811 | 0,551 | 0,562 | 0,036 |
| WTRWT316UF1032 | 3/16 | UNF 10-32 | 0,149 | 1,586 | 0,562 | 0,437 | 0,030 |
| WTRWT316N01 | 3/16 | N1/8" | 0,295 | 0,593 | 0,562 | 0,437 | 0,032 |
| WTRWT316N02 | 3/16 | N1/4" | 0,413 | 1,822 | 0,562 | 0,562 | 0,041 |
| WTRWT316N03 | 3/16 | N3/8" | 0,433 | 1,862 | 0,562 | 0,685 | 0,054 |
| WTRWT1-4UF1032 | 1/4 | UNF 10-32 | 0,149 | 1,673 | 0,582 | 0,5 | 0,031 |
| WTRWT1-4N01 | 1/4 | N1/8" | 0,295 | 1,724 | 0,582 | 0,5 | 0,032 |
| WTRWT1-4N02 | 1/4 | N1/4" | 0,413 | 1,862 | 0,582 | 0,562 | 0,043 |
| WTRWT1-4N03 | 1/4 | N3/8" | 0,433 | 1,901 | 0,582 | 0,685 | 0,056 |
| WTRWT516N01 | 5/16 | N1/8" | 0,295 | 1,854 | 0,716 | 0,562 | 0,046 |
| WTRWT516N02 | 5/16 | N1/4" | 0,413 | 1,972 | 0,716 | 0,562 | 0,046 |
| WTRWT516N03 | 5/16 | N3/8" | 0,433 | 2,011 | 0,716 | 0,685 | 0,063 |
| WTRWT38N01 | 3/8 | N1/8" | 0,295 | 2,169 | 0,767 | 0,685 | 0,084 |
| WTRWT38N02 | 3/8 | N1/4" | 0,413 | 2,287 | 0,767 | 0,685 | 0,085 |
| WTRWT38N03 | 3/8 | N3/8" | 0,433 | 2,307 | 0,767 | 0,685 | 0,084 |
| WTRWT38N04 | 3/8 | N1/2" | 0,551 | 2,444 | 0,767 | 0,874 | 0,121 |
| WTRWT1-2N02 | 1/2 | N1/4" | 0,413 | 2,484 | 0,850 | 0,874 | 0,118 |
| WTRWT1-2N03 | 1/2 | N3/8" | 0,433 | 2,503 | 0,850 | 0,874 | 0,101 |
| WTRWT1-2N04 | 1/2 | N1/2" | 0,551 | 2,622 | 0,850 | 0,874 | 0,133 |

WTRKD-R

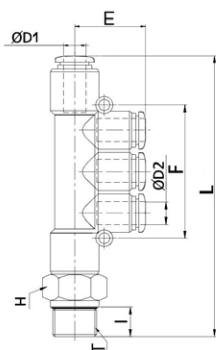
Swivel multi-tee lateral male connector BSPT thread nickel plated



| CODE | ØD1 | ØD2 | T | E | F | L | I | H | GR. |
|--------------|-----|-----|-------|------|----|------|------|----|------|
| WTRKD0604R01 | 6 | 4 | R1/8" | 19,0 | 36 | 63,8 | 7,0 | 12 | 17,4 |
| WTRKD0804R02 | 8 | 4 | R1/4" | 20,0 | 42 | 71,3 | 9,5 | 14 | 23,1 |
| WTRKD0806R02 | 8 | 6 | R1/4" | 20,3 | 42 | 71,3 | 9,5 | 14 | 24,2 |
| WTRKD1008R03 | 10 | 8 | R3/8" | 24,3 | 48 | 91,0 | 10,5 | 17 | 40,2 |

WTRKD-G

Swivel multi-tee lateral male connector BSPP thread nickel plated

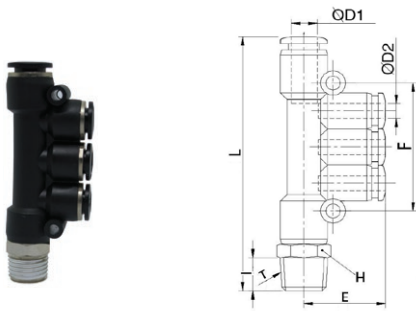


| CODE | ØD1 | ØD2 | T | E | F | L | I | H | GR. |
|--------------|-----|-----|-------|------|----|------|-----|----|------|
| WTRKD0604G01 | 6 | 4 | G1/8" | 19,0 | 36 | 63,8 | 5,0 | 14 | 20,5 |
| WTRKD0804G02 | 8 | 4 | G1/4" | 20,0 | 42 | 69,6 | 5,8 | 17 | 26,0 |
| WTRKD0806G02 | 8 | 6 | G1/4" | 20,3 | 42 | 69,6 | 5,8 | 17 | 27,0 |
| WTRKD1008G03 | 10 | 8 | G3/8" | 24,3 | 48 | 89,3 | 6,8 | 20 | 44,0 |



WTRKD-N

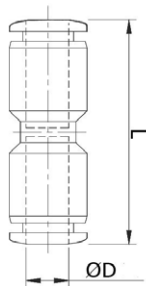
Swivel multi-tee lateral male connector NPT thread nickel plated



| CODE | ØD1 | ØD2 | H | T | E | F | L | I | LB |
|-----------------|------|------|-------|-------|-------|-------|-------|-------|-------|
| WTRKD316-532N01 | 3/16 | 5/32 | 0,437 | N1/8" | 0,748 | 1,417 | 2,531 | 0,295 | 0,036 |
| WTRKD1-4-532N01 | 1/4 | 5/32 | 0,5 | N1/8" | 0,748 | 1,417 | 2,531 | 0,295 | 0,048 |
| WTRKD516-532N02 | 5/16 | 5/32 | 0,562 | N1/4" | 0,787 | 1,653 | 2,846 | 0,413 | 0,050 |
| WTRKD516-316N02 | 5/16 | 3/16 | 0,562 | N1/4" | 0,799 | 1,653 | 2,846 | 0,413 | 0,050 |
| WTRKD516-1-4N02 | 5/16 | 1/4 | 0,562 | N1/4" | 0,799 | 1,653 | 2,846 | 0,413 | 0,053 |
| WTRKD38-516N03 | 3/8 | 5/16 | 0,685 | N3/8" | 0,956 | 1,889 | 3,602 | 0,433 | 0,088 |

WTRUC

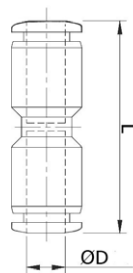
Union connector



| CODE | ØD | L | GR. |
|-----------|----|------|------|
| WTRUC0400 | 4 | 33,0 | 4,2 |
| WTRUC0500 | 5 | 35,2 | 5,0 |
| WTRUC0600 | 6 | 35,2 | 5,2 |
| WTRUC0700 | 7 | 39,1 | 7,0 |
| WTRUC0800 | 8 | 39,1 | 6,8 |
| WTRUC0900 | 9 | 45,2 | 14,0 |
| WTRUC1000 | 10 | 45,2 | 14,0 |
| WTRUC1100 | 11 | 49,2 | 17,0 |
| WTRUC1200 | 12 | 49,2 | 16,4 |
| WTRUC1400 | 14 | 48,4 | 18,0 |
| WTRUC1500 | 15 | 51,0 | 25,0 |
| WTRUC1600 | 16 | 51,0 | 24,5 |

WTRUC-N

Union connector

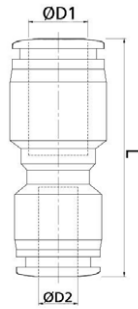


| CODE | ØD | L | LB |
|----------|------|-------|-------|
| WTRUC532 | 5/32 | 1,299 | 0,009 |
| WTRUC316 | 3/16 | 1,322 | 0,010 |
| WTRUC1-4 | 1/4 | 1,385 | 0,011 |
| WTRUC516 | 5/16 | 1,539 | 0,014 |
| WTRUC38 | 3/8 | 1,779 | 0,030 |
| WTRUC1-2 | 1/2 | 1,937 | 0,036 |



WTRG

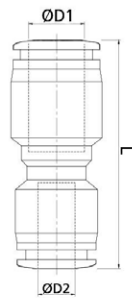
Reduced union connector



| CODE | ØD1 | ØD2 | L | GR. |
|----------|-----|-----|------|------|
| WTRG0604 | 6 | 4 | 33,6 | 5,2 |
| WTRG0805 | 8 | 5 | 35,5 | 6,0 |
| WTRG0806 | 8 | 6 | 36,1 | 6,8 |
| WTRG1007 | 10 | 7 | 41,8 | 10,0 |
| WTRG1008 | 10 | 8 | 41,8 | 12,7 |
| WTRG1207 | 12 | 7 | 46,9 | 13,0 |
| WTRG1208 | 12 | 8 | 46,9 | 14,1 |
| WTRG1210 | 12 | 10 | 46,1 | 16,6 |
| WTRG1410 | 14 | 10 | 46,7 | 17,0 |
| WTRG1412 | 14 | 12 | 48,3 | 17,0 |
| WTRG1610 | 16 | 10 | 48,5 | 24,3 |
| WTRG1612 | 16 | 12 | 50,1 | 26,0 |
| WTRG1614 | 16 | 14 | 50 | 28,0 |

WTRG-N

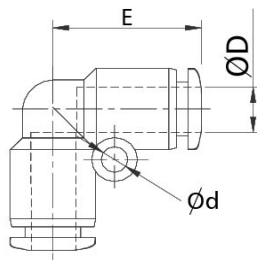
Reduced union connector



| CODE | ØD1 | ØD2 | L | LB |
|-------------|------|------|-------|-------|
| WTRG316-532 | 3/16 | 5/32 | 1,311 | 0,014 |
| WTRG1-4-532 | 1/4 | 5/32 | 1,374 | 0,010 |
| WTRG1-4-316 | 1/4 | 3/16 | 1,385 | 0,011 |
| WTRG516-1-4 | 5/16 | 1/4 | 1,519 | 0,014 |
| WTRG38-516 | 3/8 | 5/16 | 1,862 | 0,027 |
| WTRG1-2-38 | 1/2 | 3/8 | 1,925 | 0,036 |

WTRUL

Union elbow

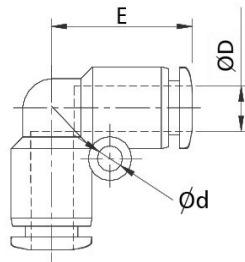


| CODE | ØD | ØD | E | GR. |
|-----------|----|-----|------|------|
| WTRUL0400 | 4 | 3,2 | 17,5 | 4,2 |
| WTRUL0600 | 6 | 3,2 | 19,0 | 5,5 |
| WTRUL0800 | 8 | 3,2 | 22,8 | 7,3 |
| WTRUL1000 | 10 | 4,2 | 26,3 | 14,3 |
| WTRUL1200 | 12 | 4,3 | 29,6 | 18,2 |
| WTRUL1400 | 14 | 5,1 | 31,7 | 23,0 |
| WTRUL1600 | 16 | 5,1 | 33,0 | 27,0 |



WTRUL-N

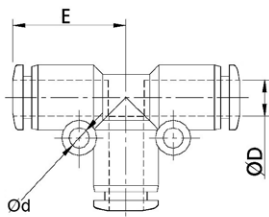
Union elbow



| CODE | ØD | Ød | E | LB |
|----------|------|-------|-------|-------|
| WTRUL532 | 5/32 | 0,125 | 0,688 | 0,009 |
| WTRUL316 | 3/16 | 0,125 | 0,700 | 0,011 |
| WTRUL1-4 | 1/4 | 0,125 | 0,748 | 0,012 |
| WTRUL516 | 5/16 | 0,125 | 0,897 | 0,016 |
| WTRUL38 | 3/8 | 0,165 | 1,035 | 0,031 |
| WTRUL1-2 | 1/2 | 0,169 | 1,165 | 0,040 |

WTRUT

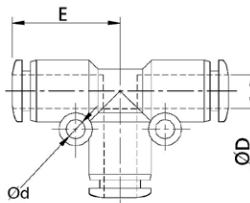
Union tee



| CODE | ØD | Ød | E | GR. |
|-----------|----|-----|-------|------|
| WTRUT0400 | 4 | 3,2 | 18,5 | 6,5 |
| WTRUT0600 | 6 | 3,2 | 19,3 | 8,1 |
| WTRUT0800 | 8 | 3,2 | 22,75 | 10,6 |
| WTRUT1000 | 10 | 4,2 | 27,0 | 21,4 |
| WTRUT1200 | 12 | 4,3 | 29,6 | 26,7 |
| WTRUT1400 | 14 | 5,1 | 31,7 | 31,0 |
| WTRUT1600 | 16 | 5,1 | 33,0 | 39,7 |

WTRUT-N

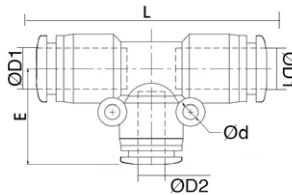
Union tee



| CODE | ØD | Ød | E | LB |
|----------|------|-------|-------|-------|
| WTRUT532 | 5/32 | 0,125 | 0,728 | 0,014 |
| WTRUT316 | 3/16 | 0,125 | 0,740 | 0,016 |
| WTRUT1-4 | 1/4 | 0,125 | 0,759 | 0,017 |
| WTRUT516 | 5/16 | 0,125 | 0,895 | 0,023 |
| WTRUT38 | 3/8 | 0,165 | 1,062 | 0,047 |
| WTRUT1-2 | 1/2 | 0,169 | 1,165 | 0,058 |

WTRGT

Reduced union tee

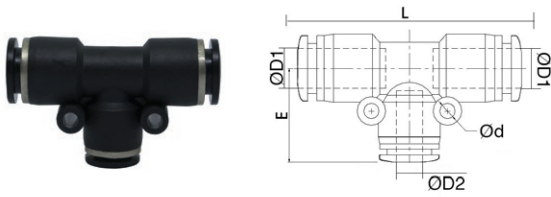


| CODE | ØD1 | ØD2 | Ød | E | L | GR. |
|-----------|-----|-----|-----|------|------|------|
| WTRGT0604 | 6 | 4 | 3,2 | 19,5 | 38,6 | 8,1 |
| WTRGT0806 | 8 | 6 | 3,2 | 20,3 | 45,5 | 10,6 |
| WTRGT1008 | 10 | 8 | 4,2 | 24,8 | 54,0 | 20,2 |
| WTRGT1210 | 12 | 10 | 4,2 | 28,5 | 59,2 | 26,9 |
| WTRGT1612 | 16 | 12 | 5,1 | 32,1 | 66,0 | 41,9 |



WTRGT-N

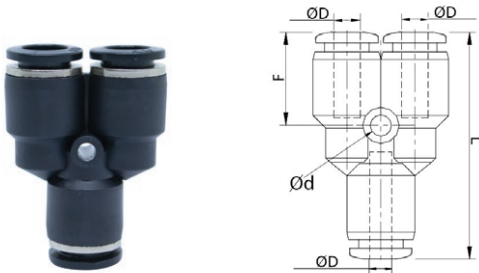
Reduced union tee



| CODE | ØD1 | ØD2 | ØD | L | E | LB |
|--------------|------|------|-------|-------|-------|-------|
| WTRGT1-4-532 | 1/4 | 5/32 | 0,125 | 1,518 | 0,748 | 0,016 |
| WTRGT516-1-4 | 5/16 | 1/4 | 0,125 | 1,79 | 0,877 | 0,023 |
| WTRGT38-516 | 3/8 | 5/16 | 0,125 | 2,124 | 1,094 | 0,044 |
| WTRGT1-2-38 | 1/2 | 3/8 | 0,165 | 2,33 | 1,153 | 0,059 |

WTRY

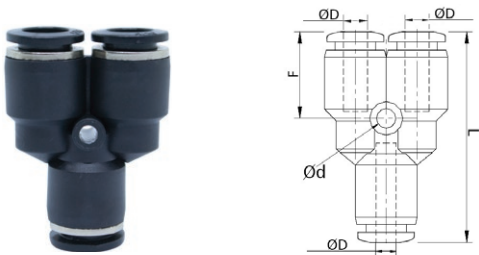
Union Y



| CODE | ØD | Ød | L | F | GR. |
|----------|----|-----|------|------|------|
| WTRY0400 | 4 | 3,2 | 35,5 | 14,0 | 6,8 |
| WTRY0600 | 6 | 3,2 | 37,1 | 14,8 | 8,6 |
| WTRY0800 | 8 | 3,2 | 40,4 | 18,2 | 10,7 |
| WTRY1000 | 10 | 4,2 | 47,1 | 19,5 | 21,8 |
| WTRY1200 | 12 | 4,2 | 53,2 | 21,6 | 27,5 |
| WTRY1600 | 16 | 5,1 | 61,0 | 23,5 | 33,5 |

WTRY-N

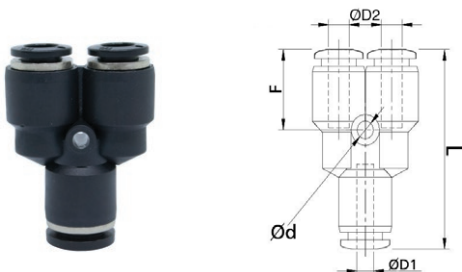
Union Y



| CODE | ØD | Ød | L | F | LB |
|---------|------|-------|-------|-------|-------|
| WTRY532 | 5/32 | 0,125 | 1,397 | 0,551 | 0,014 |
| WTRY316 | 3/16 | 0,125 | 1,421 | 0,562 | 0,018 |
| WTRY1-4 | 1/4 | 0,125 | 1,460 | 0,582 | 0,019 |
| WTRY516 | 5/16 | 0,125 | 1,590 | 0,716 | 0,023 |
| WTRY38 | 3/8 | 0,165 | 1,854 | 0,767 | 0,048 |
| WTRY1-2 | 1/2 | 0,165 | 2,094 | 0,850 | 0,060 |

WTRW

Reduced union Y

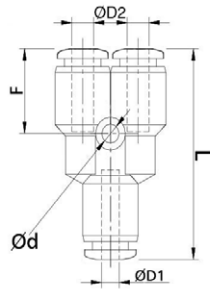


| CODE | ØD1 | ØD2 | Ød | L | F | GR. |
|----------|-----|-----|-----|------|------|------|
| WTRW0604 | 6 | 4 | 3,2 | 36,8 | 14,5 | 9,2 |
| WTRW0806 | 8 | 6 | 3,2 | 39,9 | 17,7 | 11,4 |
| WTRW1008 | 10 | 8 | 4,2 | 47,9 | 20,3 | 21,8 |
| WTRW1210 | 12 | 10 | 4,2 | 51,6 | 20,0 | 29,3 |



WTRW-N

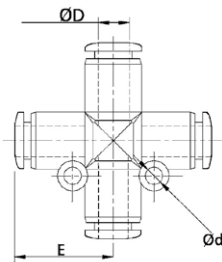
Reduced union Y



| CODE | ØD1 | ØD2 | Ød | L | F | LB |
|-------------|------|------|-------|-------|-------|-------|
| WTRW316-532 | 3/16 | 5/32 | 0,125 | 1,409 | 0,551 | 0,019 |
| WTRW1-4-532 | 1/4 | 5/32 | 0,125 | 1,448 | 0,570 | 0,020 |
| WTRW1-4-316 | 1/4 | 3/16 | 0,125 | 1,460 | 0,582 | 0,021 |
| WTRW516-1-4 | 5/16 | 1/4 | 0,125 | 1,570 | 0,696 | 0,025 |
| WTRW38-516 | 3/8 | 5/16 | 0,165 | 1,885 | 0,799 | 0,048 |
| WTRW1-2-38 | 1/2 | 3/8 | 0,165 | 2,031 | 0,787 | 0,064 |

WTRZA

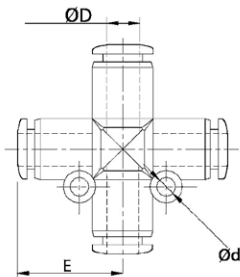
Union cross



| CODE | ØD | Ød | E | GR. |
|-----------|----|-----|-------|------|
| WTRZA0400 | 4 | 3,2 | 17,5 | 8,0 |
| WTRZA0600 | 6 | 3,2 | 19,3 | 10,2 |
| WTRZA0800 | 8 | 3,2 | 22,75 | 13,6 |
| WTRZA1000 | 10 | 4,2 | 27,0 | 28,2 |
| WTRZA1200 | 12 | 4,3 | 29,6 | 34,2 |

WTRZA-N

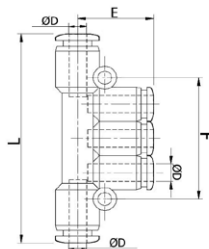
Union cross



| CODE | ØD | Ød | E | LB |
|----------|------|-------|-------|-------|
| WTRZA532 | 5/32 | 0,125 | 0,688 | 0,017 |
| WTRZA316 | 3/16 | 0,125 | 0,700 | 0,021 |
| WTRZA1-4 | 1/4 | 0,125 | 0,759 | 0,022 |
| WTRZA516 | 5/16 | 0,125 | 0,895 | 0,029 |
| WTRZA38 | 3/8 | 0,165 | 1,062 | 0,062 |
| WTRZA1-2 | 1/2 | 0,169 | 1,165 | 0,075 |

WTRK

Union multi tee

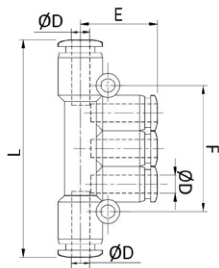


| CODE | ØD | F | E | L | GR. |
|--------|----|----|------|------|------|
| WTRK04 | 4 | 36 | 19 | 57,0 | 13,0 |
| WTRK06 | 6 | 42 | 20,3 | 61,6 | 17,0 |
| WTRK08 | 8 | 48 | 24,3 | 81,6 | 22,0 |



WTRK-N

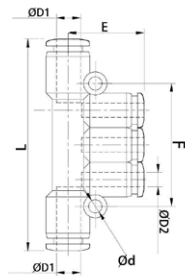
Union multi tee



| CODE | ØD | F | E | L | LB |
|---------|------|-------|-------|-------|-------|
| WTRK532 | 5/32 | 1,417 | 0,748 | 2,244 | 0,028 |
| WTRK316 | 3/16 | 1,417 | 0,759 | 2,267 | 0,035 |
| WTRK1-4 | 1/4 | 1,653 | 0,799 | 2,425 | 0,037 |
| WTRK516 | 5/16 | 1,889 | 0,956 | 3,173 | 0,048 |

WTRKG

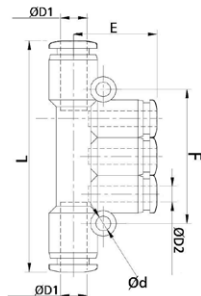
Reduced union multi tee



| CODE | ØD1 | ØD2 | ØD | E | F | L | GR. |
|-----------|-----|-----|-----|------|----|------|------|
| WTRKG0604 | 6 | 4 | 3,2 | 19,0 | 36 | 57,6 | 13,0 |
| WTRKG0804 | 8 | 4 | 3,2 | 20,0 | 42 | 62,6 | 16,0 |
| WTRKG0806 | 8 | 6 | 3,2 | 20,3 | 42 | 62,6 | 16,6 |
| WTRKG1006 | 10 | 6 | 4,2 | 23,8 | 48 | 80,0 | 28,0 |
| WTRKG1008 | 10 | 8 | 4,2 | 24,3 | 48 | 80,0 | 30,8 |

WTRKG-N

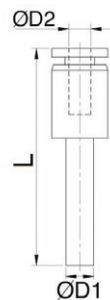
Reduced union multi tee



| CODE | ØD1 | ØD2 | E | F | L | LB |
|--------------|------|------|-------|-------|-------|-------|
| WTRKG316-532 | 3/16 | 5/32 | 0,748 | 1,417 | 2,267 | 0,027 |
| WTRKG1-4-532 | 1/4 | 5/32 | 0,748 | 1,417 | 2,267 | 0,028 |
| WTRKG516-532 | 5/16 | 5/32 | 0,787 | 1,653 | 2,464 | 0,035 |
| WTRKG516-1-4 | 5/16 | 1/4 | 0,799 | 1,653 | 2,464 | 0,036 |
| WTRKG38-1-4 | 3/8 | 1/4 | 0,937 | 1,889 | 3,149 | 0,061 |
| WTRKG38-516 | 3/8 | 5/16 | 0,956 | 1,889 | 3,149 | 0,067 |

WTRGJ

Reducer

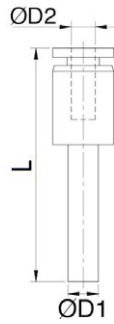


| CODE | ØD1 | ØD2 | L | GR. |
|-----------|-----|-----|------|-----|
| WTRGJ0604 | 6 | 4 | 39,5 | 1,4 |
| WTRGJ0804 | 8 | 4 | 41,5 | 2,7 |
| WTRGJ0806 | 8 | 6 | 41,8 | 2,0 |
| WTRGJ1006 | 10 | 6 | 46,8 | 3,8 |
| WTRGJ1008 | 10 | 8 | 47,3 | 2,8 |
| WTRGJ1206 | 12 | 6 | 51,8 | 7,7 |
| WTRGJ1208 | 12 | 8 | 52,3 | 6,4 |
| WTRGJ1210 | 12 | 10 | 51,5 | 4,2 |



WTRGJ-N

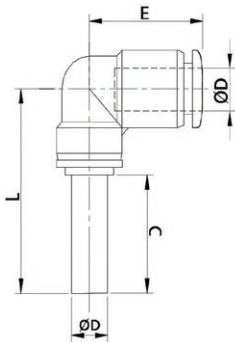
Reducer



| CODE | ØD1 | ØD2 | L | IB |
|--------------|------|------|-------|-------|
| WTRGJ1-4-532 | 1/4 | 5/32 | 1,555 | 0,003 |
| WTRGJ516-532 | 5/16 | 5/32 | 1,633 | 0,005 |
| WTRGJ516-1-4 | 5/16 | 1/4 | 1,645 | 0,004 |
| WTRGJ38-1-4 | 3/8 | 1/4 | 1,830 | 0,008 |
| WTRGJ38-516 | 3/8 | 5/16 | 1,830 | 0,006 |
| WTRGJ1-2-1-4 | 1/2 | 1/4 | 2,039 | 0,016 |
| WTRGJ1-2-516 | 1/2 | 5/16 | 2,059 | 0,014 |
| WTRGJ1-2-38 | 1/2 | 3/8 | 2,027 | 0,009 |

WTRLJ

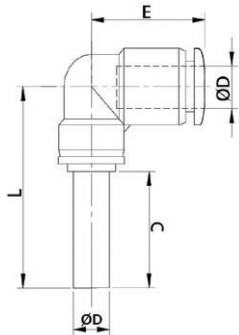
Elbow with stem



| CODE | ØD | C | E | L | GR. |
|-----------|----|------|------|------|------|
| WTRLJ0400 | 4 | 16,0 | 17,5 | 33,0 | 6,5 |
| WTRLJ0600 | 6 | 18,0 | 19,0 | 36,2 | 8,1 |
| WTRLJ0800 | 8 | 21,0 | 22,8 | 40,0 | 10,6 |
| WTRLJ1000 | 10 | 24,0 | 26,3 | 46,5 | 21,4 |
| WTRLJ1200 | 12 | 26,0 | 29,6 | 51,5 | 26,7 |

WTRLJ-N

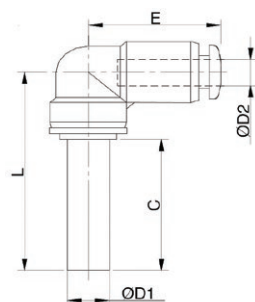
Elbow with stem



| CODE | ØD | L | E | LB |
|----------|------|-------|-------|-------|
| WTRLJ532 | 5/32 | 1,299 | 0,688 | 0,014 |
| WTRLJ316 | 3/16 | 1,299 | 0,700 | 0,016 |
| WTRLJ1-4 | 1/4 | 1,425 | 0,748 | 0,017 |
| WTRLJ516 | 5/16 | 1,673 | 0,897 | 0,023 |
| WTRLJ38 | 3/8 | 2 | 1,035 | 0,047 |
| WTRLJ1-2 | 1/2 | 2,145 | 1,165 | 0,058 |

WTRLGJ

Reduced elbow with stem

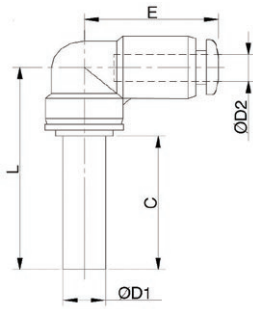


| CODE | ØD1 | ØD2 | E | C | L | GR. |
|------------|-----|-----|------|------|------|------|
| WTRLGJ0604 | 6 | 4 | 17,5 | 18,0 | 35,0 | 8,7 |
| WTRLGJ0806 | 8 | 6 | 19,0 | 21,0 | 39,2 | 13,7 |
| WTRLGJ1008 | 10 | 8 | 22,8 | 24,0 | 44,0 | 19,4 |
| WTRLGJ1210 | 12 | 10 | 26,3 | 26,0 | 48,5 | 34,6 |



WTRLGJ-N

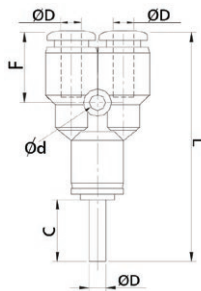
Reduced elbow with stem



| CODE | ØD1 | ØD2 | L | E | LB |
|---------------|------|------|-------|-------|-------|
| WTRLGJ316-532 | 3/16 | 5/32 | 1,299 | 0,688 | 0,018 |
| WTRLGJ1-4-532 | 1/4 | 5/32 | 1,377 | 0,688 | 0,019 |
| WTRLGJ1-4-316 | 1/4 | 3/16 | 1,377 | 0,688 | 0,020 |
| WTRLGJ516-1-4 | 5/16 | 1/4 | 1,543 | 0,748 | 0,030 |
| WTRLGJ38-516 | 3/8 | 5/16 | 1,673 | 0,897 | 0,042 |
| WTRLGJ1-2-38 | 1/2 | 3/8 | 2,078 | 1,035 | 0,076 |

WTRYJ

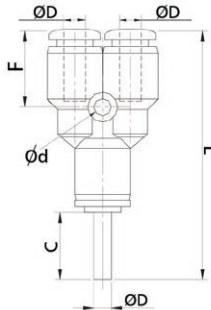
Union Y with stem



| CODE | ØD | Ød | L | F | C | GR. |
|-----------|----|-----|------|------|------|------|
| WTRYJ0400 | 4 | 3,2 | 51,0 | 14,0 | 16,0 | 10,2 |
| WTRYJ0600 | 6 | 3,2 | 54,3 | 14,8 | 18,0 | 14,4 |
| WTRYJ0800 | 8 | 3,2 | 60,1 | 18,2 | 21,0 | 20,4 |
| WTRYJ1000 | 10 | 4,2 | 71,6 | 19,5 | 24,0 | 38,1 |
| WTRYJ1200 | 12 | 4,2 | 78,1 | 21,6 | 26,0 | 49,9 |

WTRYJ-N

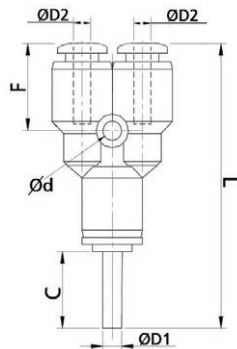
Union Y with stem



| CODE | ØD | ØD | L | F | LB |
|----------|------|-------|-------|-------|-------|
| WTRYJ532 | 5/32 | 0,125 | 2,007 | 0,551 | 0,022 |
| WTRYJ316 | 3/16 | 0,125 | 2,019 | 0,562 | 0,030 |
| WTRYJ1-4 | 1/4 | 0,125 | 2,137 | 0,582 | 0,031 |
| WTRYJ516 | 5/16 | 0,125 | 2,366 | 0,716 | 0,044 |
| WTRYJ38 | 3/8 | 0,165 | 2,818 | 0,767 | 0,083 |
| WTRYJ1-2 | 1/2 | 0,165 | 3,074 | 0,850 | 0,11 |

WTRWJ

Reduced union Y with stem

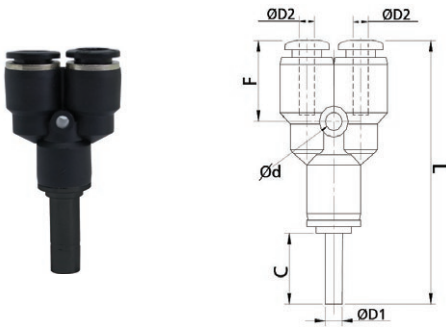


| CODE | ØD1 | ØD2 | Ød | L | F | C | GR. |
|-----------|-----|-----|-----|------|------|------|------|
| WTRWJ0604 | 6 | 4 | 3,2 | 53,0 | 14,0 | 18,0 | 14,5 |
| WTRWJ0806 | 8 | 6 | 3,2 | 57,3 | 14,8 | 21,0 | 20,4 |
| WTRWJ1008 | 10 | 8 | 4,2 | 64,1 | 18,2 | 24,0 | 35,5 |
| WTRWJ1210 | 12 | 10 | 4,2 | 73,6 | 19,5 | 26,0 | 50,5 |



WTRWJ-N

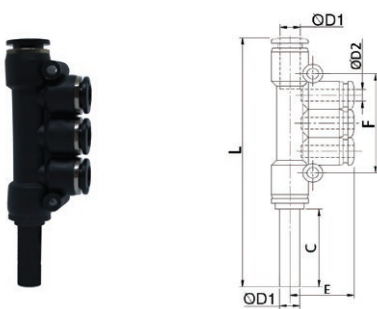
Reduced union Y with stem



| CODE | ØD1 | ØD2 | ØD | L | F | LB |
|--------------|------|------|-------|-------|-------|-------|
| WTRWJ1-4-532 | 1/4 | 5/32 | 0,125 | 2,086 | 0,551 | 0,031 |
| WTRWJ516-1-4 | 5/16 | 1/4 | 0,125 | 2,255 | 0,582 | 0,044 |
| WTRWJ38-516 | 3/8 | 5/16 | 0,165 | 2,523 | 0,716 | 0,078 |
| WTRWJ1-2-38 | 1/2 | 3/8 | 0,165 | 2,897 | 0,767 | 0,111 |

WTRKJ

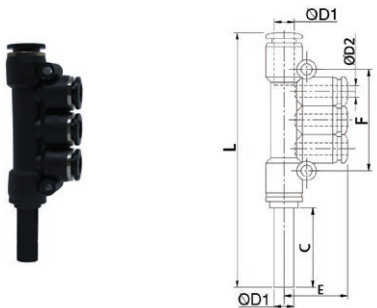
Multi-tee union with lateral stem



| CODE | ØD1 | ØD2 | E | F | C | L | GR. |
|-----------|-----|-----|------|----|----|-------|------|
| WTRKJ0604 | 6 | 4 | 19,0 | 36 | 18 | 74,8 | 4,2 |
| WTRKJ0804 | 8 | 4 | 20,0 | 42 | 21 | 82,3 | 5,5 |
| WTRKJ0806 | 8 | 6 | 20,3 | 42 | 21 | 82,3 | 7,3 |
| WTRKJ1006 | 10 | 6 | 23,8 | 48 | 24 | 104,5 | 14,3 |
| WTRKJ1008 | 10 | 8 | 24,3 | 48 | 24 | 104,5 | 18,2 |

WTRKJ-N

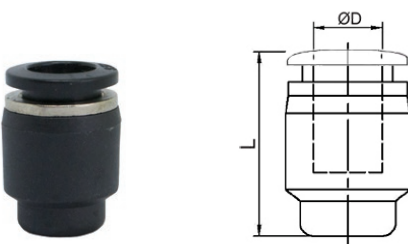
Multi-tee union with lateral stem



| CODE | ØD1 | ØD2 | E | F | L | LB |
|--------------|------|------|-------|-------|-------|-------|
| WTRKJ316-532 | 3/16 | 5/32 | 0,748 | 1,417 | 2,866 | 0,008 |
| WTRKJ1-4-532 | 1/4 | 5/32 | 0,748 | 1,417 | 2,944 | 0,009 |
| WTRKJ516-532 | 5/16 | 5/32 | 0,787 | 1,653 | 3,240 | 0,012 |
| WTRKJ516-1-4 | 5/16 | 1/4 | 0,799 | 1,653 | 3,240 | 0,016 |
| WTRKJ38-1-4 | 3/8 | 1/4 | 0,937 | 1,889 | 4,114 | 0,031 |
| WTRKJ38-516 | 3/8 | 5/16 | 0,956 | 1,889 | 4,115 | 0,040 |

WTRPF

Female plug

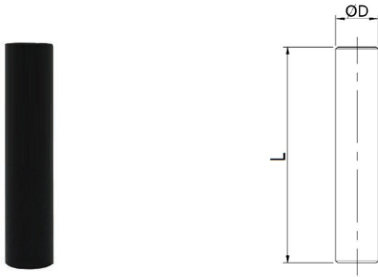


| CODE | ØD | L | GR. |
|---------|----|------|------|
| WTRPF04 | 4 | 17,5 | 2,6 |
| WTRPF05 | 5 | 17,5 | 3,1 |
| WTRPF06 | 6 | 17,5 | 3,7 |
| WTRPF07 | 7 | 20,8 | 3,8 |
| WTRPF08 | 8 | 20,8 | 4,2 |
| WTRPF10 | 10 | 25,3 | 5,5 |
| WTRPF12 | 12 | 25,6 | 9,3 |
| WTRPF14 | 14 | 25,7 | 12,4 |
| WTRPF15 | 15 | 27,0 | 15,3 |
| WTRPF16 | 16 | 27,0 | 17,1 |



WTRIJ

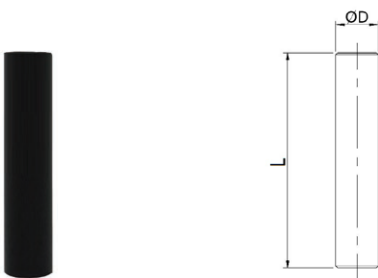
Junction



| CODE | ØD | L | GR. |
|---------|----|----|-----|
| WTRIJ04 | 4 | 35 | 0,4 |
| WTRIJ06 | 6 | 37 | 0,8 |
| WTRIJ08 | 8 | 41 | 1,2 |
| WTRIJ10 | 10 | 51 | 2,7 |
| WTRIJ12 | 12 | 54 | 3,5 |
| WTRIJ16 | 16 | 58 | 5,3 |

WTRIJ-N

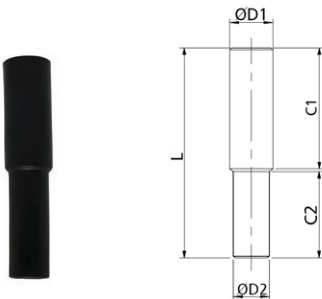
Junction



| CODE | ØD | L | LB |
|----------|------|-------|-------|
| WTRIJ532 | 5/32 | 1,377 | 0,008 |
| WTRIJ316 | 3/16 | 1,377 | 0,016 |
| WTRIJ1-4 | 1/4 | 1,456 | 0,001 |
| WTRIJ516 | 5/16 | 1,614 | 0,002 |
| WTRIJ38 | 3/8 | 2,007 | 0,005 |
| WTRIJ1-2 | 1/2 | 2,125 | 0,007 |

WTRIG

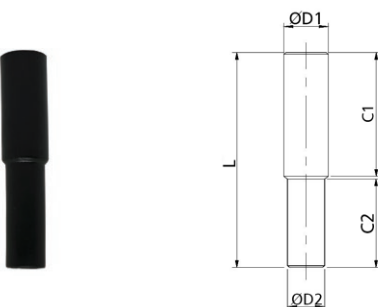
Reduced junction



| CODE | ØD1 | ØD2 | C1 | C2 | L | GR. |
|-----------|-----|-----|----|----|----|-----|
| WTRIG0604 | 6 | 4 | 18 | 17 | 36 | 0,6 |
| WTRIG0806 | 8 | 6 | 20 | 18 | 39 | 1,0 |
| WTRIG1008 | 10 | 8 | 25 | 20 | 46 | 1,9 |
| WTRIG1210 | 12 | 10 | 27 | 26 | 54 | 3,2 |
| WTRIG1612 | 16 | 12 | 28 | 28 | 56 | 4,8 |

WTRIG-N

Reduced junction

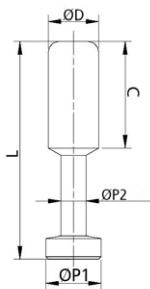


| CODE | ØD1 | ØD2 | C1 | C2 | L | LB |
|--------------|------|------|-------|-------|-------|-------|
| WTRIG316-532 | 3/16 | 5/32 | 0,708 | 0,669 | 1,417 | 0,001 |
| WTRIG1-4-532 | 1/4 | 5/32 | 0,708 | 0,669 | 1,417 | 0,001 |
| WTRIG1-4-316 | 1/4 | 3/16 | 0,708 | 0,669 | 1,417 | 0,001 |
| WTRIG516-1-4 | 5/16 | 1/4 | 0,787 | 0,708 | 1,535 | 0,002 |
| WTRIG38-516 | 3/8 | 5/16 | 0,984 | 0,787 | 1,811 | 0,004 |
| WTRIG1-2-38 | 1/2 | 3/8 | 1,062 | 1,023 | 2,125 | 0,007 |



WTRP

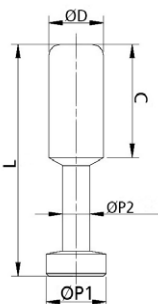
Male plug



| CODE | ØD | L | ØP1 | ØP2 | C | GR. |
|--------|----|----|------|-----|------|-----|
| WTRP04 | 4 | 28 | 5,0 | 3,0 | 15,0 | 0,4 |
| WTRP06 | 6 | 33 | 7,0 | 3,0 | 17,0 | 0,8 |
| WTRP08 | 8 | 37 | 9,0 | 4,0 | 18,0 | 1,3 |
| WTRP10 | 10 | 42 | 11,0 | 5,0 | 20,5 | 2,2 |
| WTRP12 | 12 | 44 | 13,0 | 6,0 | 23,0 | 3,1 |

WTRP-N

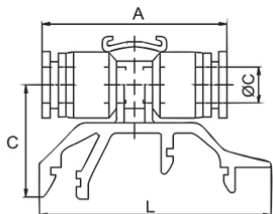
Male plug



| CODE | ØD | L | ØP1 | ØP2 | C | LB |
|---------|------|-------|-------|-------|-------|--------|
| WTRP532 | 5/32 | 1,102 | 0,196 | 0,118 | 0,590 | 0,0008 |
| WTRP316 | 3/16 | 1,102 | 0,196 | 0,118 | 0,590 | 0,0016 |
| WTRP1-4 | 1/4 | 1,299 | 0,275 | 0,118 | 0,669 | 0,0017 |
| WTRP516 | 5/16 | 1,456 | 0,354 | 0,157 | 0,708 | 0,0028 |
| WTRP38 | 3/8 | 1,653 | 0,433 | 0,196 | 0,807 | 0,0048 |
| WTRP1-2 | 1/2 | 1,732 | 0,511 | 0,236 | 0,905 | 0,0068 |

WTRUC-PRD

Union connector for DIN profile (o Ω)



| CODE | ØD | A | L | C | GR. |
|-------------|----|------|------|------|------|
| WTRUC-PRD04 | 4 | 34,6 | 45,0 | 22,0 | 8,0 |
| WTRUC-PRD06 | 6 | 35,2 | 45,0 | 22,0 | 8,0 |
| WTRUC-PRD08 | 8 | 39,1 | 45,0 | 22,7 | 10,0 |
| WTRUC-PRD10 | 10 | 45,2 | 45,0 | 24,7 | 17,0 |

WTRCV

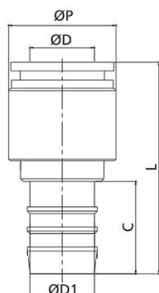
Applicable sleeve



| CODE | ØD |  |  |  |  |  | GR. |
|---------|----|---|---|---|---|---|------|
| WTRCV04 | 4 | WTRCV04BL | WTRCV04RO | WTRCV04BO | WTRCV04GL | WTRCV04VD | 0,10 |
| WTRCV06 | 6 | WTRCV06BL | WTRCV06RO | WTRCV06BO | WTRCV06GL | WTRCV06VD | 0,14 |

TR

Push-in fittings with barb connector



| CODE | ØD | ØD1 | ØP | C | L | GR. |
|---------|----|-----|------|------|------|------|
| TR1213P | 12 | 1/2 | 20,0 | 10,8 | 40,8 | 24,0 |





COMPACT PUSH-IN FITTINGS

CDC
PNEUMATICS

PLUS

REDUCED DIMENSIONS

to be easily used in narrow spaces.

AVAILABLE ALSO FOR TUBING DIAM. 3 MM

OVAL LOCKING COLLET

to improve disconnection operations.

STATIC GRIPPING SYSTEM in order
to stop all the movements of the tube when
inserted, granting a leak-proof connection.

SILICON FREE MATERIALS

**MADE BY TOP QUALITY
TECNOPOLYMERS** to guarantee
long-lasting components.





p. 44 / **PC-C-R**



p. 44 / **PC-C-G**



p. 44 / **POC-C-R**



p. 45 / **POC-C-M**



p. 45 / **PCF-C-M**



p. 45 / **PMM-C**



p. 46 / **PL-C-R**



p. 46 / **PL-C-G**



p. 46 / **PLL-C-R**



p. 47 / **PLL-C-M**



p. 47 / **PT-C-R**



p. 47 / **PT-C-M**



p. 48 / **PST-C-R**



p. 48 / **PST-C-M**



p. 48 / **PUC-C**



p. 49 / **PG-C**



p. 49 / **PUL-C**



p. 49 / **PUT-C**



p. 50 / **PY-C**

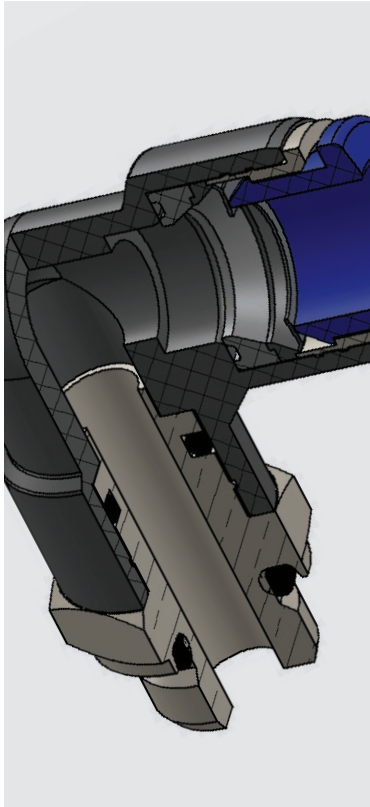


p. 50 / **PW-C**



p. 50 / **PGJ-C**





0°C ÷ 60°C



Working pressure:
10 Bar
Negative pressure:
-750 mmHg



Compressed air & vacuum



Taper gas BSPT ISO 7 R1/8"
Parallel gas BSPP ISO 228 G1/8"
Metric ISO 262 M3, M5, M6



Polyamide, Polyurethane

Body:
PBT and nickel plated brass

Collar:
Nickel plated brass



Release sleeve:
POM

Lock claw:
Stainless steel AISI 301

Back ring:
POM

V-Seal / O-Ring:
NBR Silicon free



Products in compliance with the directive 2002/95/EC

RoHS2

Products in compliance with the directive 2011/65/EU

INSERTION OF THE TUBE INTO THE FITTING

- Make sure the tube is fully inserted into the fitting.
- To insert the tube into the fitting cut the tube at a squared angle (90°), insert up to the end and pull gently to make sure it is correctly connected.
- If there are any damages or scratches on the tube surface or an oval shape, air leakage and tube release may occur. Check it carefully.
- The OD of polyurethane tubes expand when pressure is applied. Reinsertion into the fitting may not be possible. Check the OD of the tube and change the tube if the expansion is serious.
- Always remove by cutting the part of the tube previously inserted into the fitting. Use a proper tube cutter in order to cut the tube.

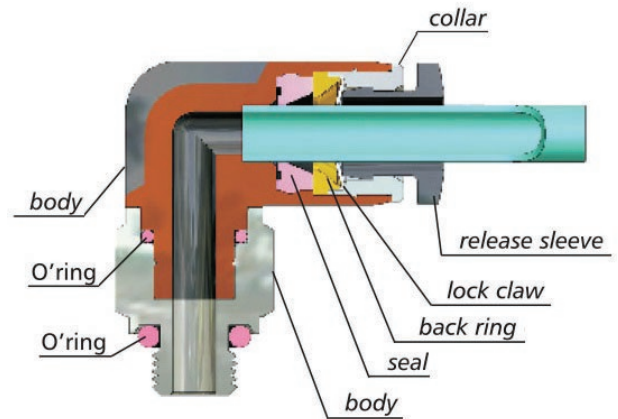
DISCONNECTION OF THE TUBE FROM THE FITTING

- Make sure the pressure is zero before releasing the tube from the fitting.
- To release the tube, press the release ring regularly at the end and pull the tube with one hand.

TOLERANCE TUBE

| TUBES Ø | Ø 3 mm | Ø 4 mm | Ø 6 mm |
|-----------------|--------|--------|--------|
| TOLERANCES (MM) | ± 0,1 | ± 0,1 | ± 0,1 |

CONSTRUCTION MATERIALS



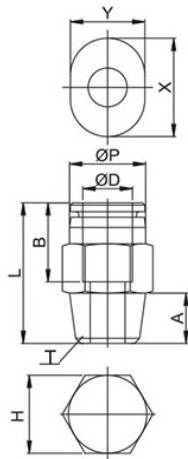
INSERTION TUBE

| DIAMETER TUBES Ø | Ø 3 mm | Ø 4 mm | Ø 6 mm |
|-----------------------------|--------|--------|--------|
| TUBES INSERTION LENGHT (MM) | 11.2 | 11.7 | 12.7 |



PC-C-R

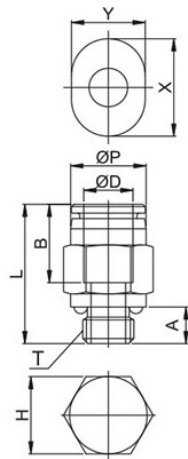
Compact male connector BSPT thread nickel plated



| CODE | ØD | ØP | T | L | A | B | H | X | Y | DN | GR. |
|-----------|----|------|-------|------|-----|------|----|------|------|-----|-----|
| PC-C04R01 | 4 | 8,0 | R1/8" | 16,7 | 8,0 | 11,7 | 10 | 10,4 | 8,2 | 3,0 | 6,0 |
| PC-C06R01 | 6 | 10,0 | R1/8" | 18,9 | 8,0 | 12,7 | 10 | 12,4 | 10,2 | 5,0 | 7,0 |

PC-C-G

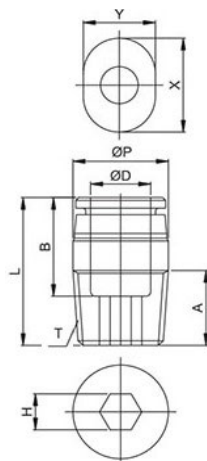
Compact male connector BSPP & metric thread nickel plated



| CODE | ØD | ØP | T | L | A | B | H | X | Y | DN | GR. |
|-----------|----|------|---------|------|-----|------|----|------|------|-----|-----|
| PC-C03M3 | 3 | 7,0 | M3X0,5P | 16,1 | 3,0 | 11,2 | 7 | 9,2 | 7,2 | 1,5 | 3,0 |
| PC-C03M5 | 3 | 7,2 | M5X0,8P | 16,3 | 3,6 | 11,2 | 8 | 9,2 | 7,2 | 2,0 | 4,0 |
| PC-C03M6 | 3 | 7,2 | M6X1,0P | 16,3 | 4,1 | 11,2 | 8 | 9,2 | 7,2 | 2,0 | 4,0 |
| PC-C04M3 | 4 | 8,0 | M3X0,5P | 16,8 | 3,0 | 11,7 | 8 | 10,4 | 8,2 | 1,5 | 4,0 |
| PC-C04M5 | 4 | 8,0 | M5X0,8P | 17,1 | 3,6 | 11,7 | 8 | 10,4 | 8,2 | 2,5 | 4,0 |
| PC-C04M6 | 4 | 8,0 | M6X1,0P | 17,7 | 4,1 | 11,7 | 8 | 10,4 | 8,2 | 3,0 | 4,0 |
| PC-C04G01 | 4 | 8,3 | G1/8" | 17,4 | 5,0 | 11,7 | 12 | 10,4 | 8,2 | 3,0 | 8,0 |
| PC-C06M5 | 6 | 10,0 | M5X0,8P | 18,6 | 3,6 | 12,7 | 10 | 12,4 | 10,2 | 2,5 | 5,0 |
| PC-C06M6 | 6 | 10,0 | M6X1,0P | 18,9 | 4,1 | 12,7 | 10 | 12,4 | 10,2 | 3,0 | 6,0 |
| PC-C06G01 | 6 | 10,3 | G1/8" | 17,9 | 5,0 | 12,7 | 12 | 12,4 | 10,2 | 5,0 | 9,0 |

POC-C-R

Compact male connector internal hexagon BSPT thread nickel plated

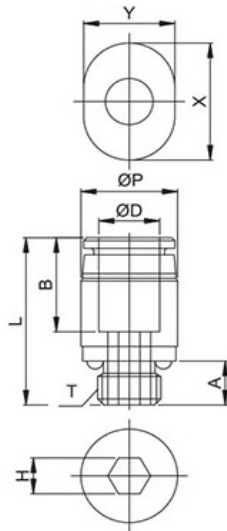


| CODE | ØD | ØP | T | L | A | B | H | X | Y | DN | GR. |
|------------|----|----|-------|------|-----|------|---|------|------|-----|-----|
| POC-C04R01 | 4 | 10 | R1/8" | 15,7 | 8,0 | 11,7 | 3 | 10,4 | 8,2 | 3,0 | 5,0 |
| POC-C06R01 | 6 | 10 | R1/8" | 18,9 | 8,0 | 12,7 | 4 | 12,4 | 10,2 | 4,0 | 6,0 |



POC-C-M

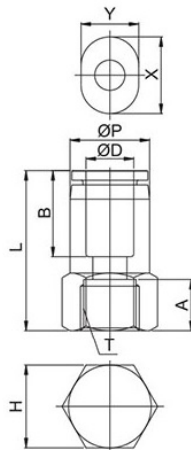
Compact male connector internal hexagon metric thread nickel plated



| CODE | ØD | ØP | T | L | A | B | H | X | Y | DN | GR. |
|-----------|----|----|---------|------|-----|------|-----|------|------|-----|-----|
| POC-C03M3 | 3 | 7 | M3X0,5P | 16,1 | 3,0 | 11,2 | 1,5 | 9,2 | 7,2 | 1,5 | 2,0 |
| POC-C03M5 | 3 | 7 | M5X0,8P | 16,3 | 3,6 | 11,2 | 2,0 | 9,2 | 7,2 | 2,0 | 2,0 |
| POC-C03M6 | 3 | 8 | M6X1,0P | 16,7 | 4,1 | 11,2 | 2,0 | 9,2 | 7,2 | 2,0 | 4,0 |
| POC-C04M3 | 4 | 8 | M3X0,5P | 16,8 | 3,0 | 11,7 | 1,5 | 10,4 | 8,2 | 1,5 | 3,0 |
| POC-C04M5 | 4 | 8 | M5X0,8P | 16,9 | 3,6 | 11,7 | 2,5 | 10,4 | 8,2 | 2,5 | 4,0 |
| POC-C04M6 | 4 | 8 | M6X1,0P | 17,2 | 4,1 | 11,7 | 3,0 | 10,4 | 8,2 | 3,0 | 4,0 |
| POC-C06M5 | 6 | 10 | M5X0,8P | 18,6 | 3,6 | 12,7 | 2,5 | 12,4 | 10,2 | 2,5 | 5,0 |
| POC-C06M6 | 6 | 10 | M6X1,0P | 18,6 | 4,1 | 12,7 | 3,0 | 12,4 | 10,2 | 3,0 | 5,0 |

PCF-C-M

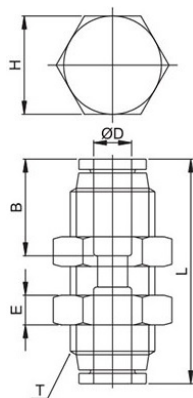
Compact female connector metric thread nickel plated



| CODE | ØD | ØP | T | L | A | B | H | X | Y | DN | GR. |
|-----------|----|------|---------|------|-----|------|----|------|------|-----|-----|
| PCF-C03M3 | 3 | 7,5 | M3X0,5P | 16,2 | 4,0 | 11,2 | 8 | 9,2 | 7,2 | 2,5 | 2,0 |
| PCF-C03M5 | 3 | 7,5 | M5X0,8P | 18,7 | 6,0 | 11,2 | 8 | 9,2 | 7,2 | 2,5 | 2,0 |
| PCF-C03M6 | 3 | 7,5 | M6X1,0P | 18,7 | 6,0 | 11,2 | 8 | 9,2 | 7,2 | 2,5 | 2,4 |
| PCF-C04M3 | 4 | 8,0 | M3X0,5P | 17,7 | 4,0 | 11,7 | 8 | 10,4 | 8,2 | 2,5 | 3,0 |
| PCF-C04M5 | 4 | 8,0 | M5X0,8P | 19,2 | 6,0 | 11,7 | 8 | 10,4 | 8,2 | 3,0 | 4,0 |
| PCF-C04M6 | 4 | 8,0 | M6X1,0P | 19,2 | 6,0 | 11,7 | 8 | 10,4 | 8,2 | 3,0 | 4,0 |
| PCF-C06M5 | 6 | 10,0 | M5X0,8P | 19,7 | 6,0 | 12,7 | 10 | 12,4 | 10,2 | 4,0 | 5,0 |
| PCF-C06M6 | 6 | 10,0 | M6X1,0P | 19,7 | 6,0 | 12,7 | 10 | 12,4 | 10,2 | 4,0 | 5,0 |

PMM-C

Compact bulkhead connector nickel plated

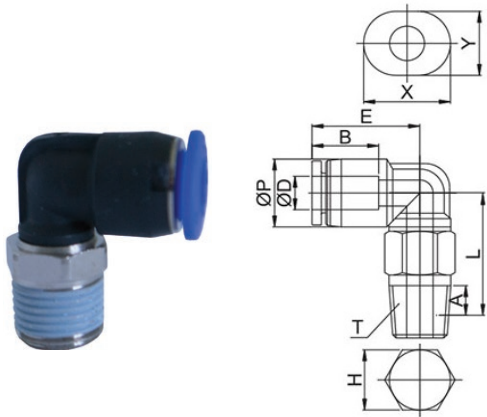


| CODE | ØD | T | L | E | B | H | DN | GR. |
|---------|----|----------|------|-----|------|----|-----|------|
| PMM-C03 | 3 | M8X0,75P | 23,4 | 2,0 | 11,2 | 10 | 2,0 | 6,0 |
| PMM-C04 | 4 | M10X1,0P | 24,3 | 3,5 | 11,7 | 12 | 3,0 | 10,0 |
| PMM-C06 | 6 | M12X1,0P | 26,9 | 4,0 | 12,7 | 14 | 5,0 | 14,0 |



PL-C-R

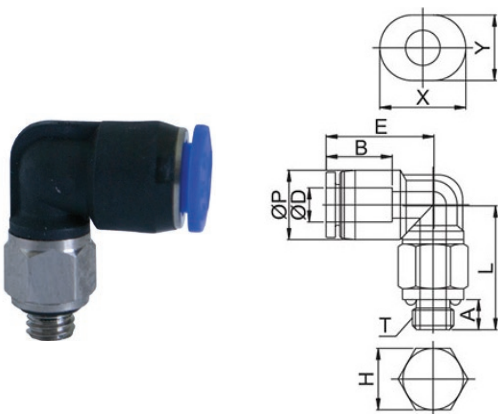
Compact swivel male elbow BSPT thread nickel plated



| CODE | ØD | ØP | T | L | E | A | B | H | X | Y | DN | GR. |
|-----------|----|------|-------|------|------|-----|------|----|------|------|-----|-----|
| PL-C04R01 | 4 | 8,7 | R1/8" | 16,4 | 14,6 | 8,0 | 11,8 | 10 | 10,4 | 8,2 | 3,0 | 7,0 |
| PL-C06R01 | 6 | 10,8 | R1/8" | 17,4 | 15,5 | 8,0 | 12,8 | 10 | 12,4 | 10,2 | 3,0 | 7,0 |

PL-C-G

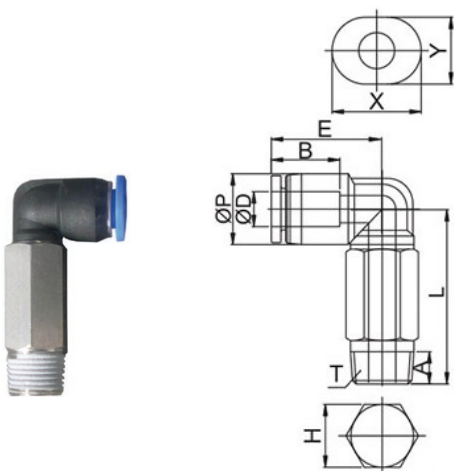
Compact swivel male elbow BSPP & metric thread nickel plated



| CODE | ØD | ØP | T | L | E | A | B | H | X | Y | DN | GR. |
|-----------|----|------|---------|------|------|-----|------|----|------|------|-----|-----|
| PL-C03M3 | 3 | 7,6 | M3X0,5P | 14,7 | 13,5 | 3,0 | 11,3 | 8 | 9,2 | 7,2 | 1,5 | 4,0 |
| PL-C03M5 | 3 | 7,6 | M5X0,8P | 15,3 | 13,5 | 3,6 | 11,3 | 8 | 9,2 | 7,2 | 2,5 | 4,0 |
| PL-C03M6 | 3 | 7,6 | M6X1,0P | 15,8 | 13,5 | 4,1 | 11,3 | 8 | 9,2 | 7,2 | 2,5 | 4,0 |
| PL-C04M3 | 4 | 8,7 | M3X0,5P | 15,3 | 14,6 | 3,0 | 11,8 | 8 | 10,4 | 8,2 | 1,5 | 4,0 |
| PL-C04M5 | 4 | 8,7 | M5X0,8P | 15,9 | 14,6 | 3,6 | 11,8 | 8 | 10,4 | 8,2 | 2,5 | 4,0 |
| PL-C04M6 | 4 | 8,7 | M6X1,0P | 16,4 | 14,6 | 4,1 | 11,8 | 8 | 10,4 | 8,2 | 3,0 | 4,0 |
| PL-C04G01 | 4 | 8,7 | G1/8" | 14,4 | 14,6 | 4,5 | 11,8 | 14 | 10,4 | 8,2 | 3,0 | 7,0 |
| PL-C06M5 | 6 | 10,8 | M5X0,8P | 16,9 | 15,5 | 3,6 | 12,9 | 8 | 12,4 | 10,2 | 2,5 | 4,0 |
| PL-C06M6 | 6 | 10,8 | M6X1,0P | 17,4 | 15,5 | 4,1 | 12,9 | 8 | 12,4 | 10,2 | 3,0 | 5,0 |
| PL-C06G01 | 6 | 10,8 | G1/8" | 15,4 | 15,5 | 4,5 | 12,9 | 14 | 12,4 | 10,2 | 3,0 | 6,0 |

PLL-C-R

Compact long swivel male elbow BSPT thread nickel plated

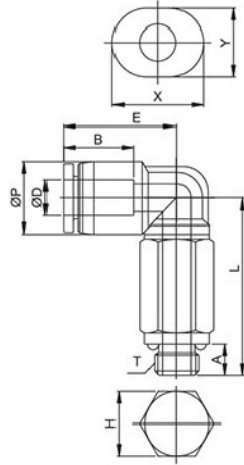


| CODE | ØD | ØP | T | L | E | A | B | H | X | Y | DN | GR. |
|------------|----|------|-------|------|------|-----|------|----|------|------|-----|------|
| PLL-C04R01 | 4 | 8,7 | R1/8" | 29,4 | 14,6 | 8,0 | 11,8 | 10 | 10,4 | 8,2 | 3,0 | 13,0 |
| PLL-C06R01 | 6 | 10,8 | R1/8" | 32,4 | 15,5 | 8,0 | 12,8 | 10 | 12,4 | 10,2 | 3,0 | 14,0 |



PLL-C-M

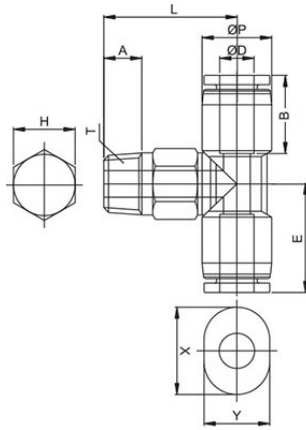
Compact long swivel male elbow metric thread nickel plated



| CODE | ØD | ØP | T | L | E | A | B | H | X | Y | DN | GR. |
|-----------|----|------|---------|------|------|-----|------|---|------|------|-----|-----|
| PLL-C03M3 | 3 | 7,5 | M3X0,5P | 21,8 | 13,5 | 3,0 | 11,3 | 8 | 9,2 | 7,2 | 1,5 | 6,0 |
| PLL-C03M5 | 3 | 7,5 | M5X0,8P | 23,9 | 13,5 | 3,6 | 11,3 | 8 | 9,2 | 7,2 | 2,5 | 7,0 |
| PLL-C03M6 | 3 | 7,5 | M6X1,0P | 24,4 | 13,5 | 4,1 | 11,3 | 8 | 9,2 | 7,2 | 2,5 | 7,0 |
| PLL-C04M3 | 4 | 8,7 | M3X0,5P | 24,9 | 14,6 | 3,0 | 11,8 | 8 | 10,4 | 8,2 | 1,5 | 8,0 |
| PLL-C04M5 | 4 | 8,7 | M5X0,8P | 25,5 | 14,6 | 3,6 | 11,8 | 8 | 10,4 | 8,2 | 2,5 | 8,0 |
| PLL-C04M6 | 4 | 8,7 | M6X1,0P | 26,0 | 14,6 | 4,1 | 11,8 | 8 | 10,4 | 8,2 | 2,5 | 8,0 |
| PLL-C06M5 | 6 | 10,8 | M5X0,8P | 28,4 | 15,5 | 3,6 | 12,8 | 8 | 12,4 | 10,2 | 2,5 | 9,0 |
| PLL-C06M6 | 6 | 10,8 | M6X1,0P | 28,9 | 15,5 | 4,1 | 12,8 | 8 | 12,4 | 10,2 | 2,5 | 9,0 |

PT-C-R

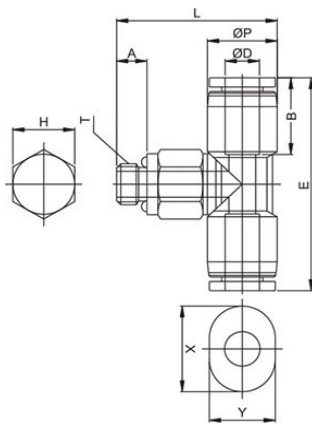
Compact swivel male central tee BSPT thread nickel plated



| CODE | ØD | ØP | T | L | E | A | B | H | X | Y | DN | GR. |
|-----------|----|------|-------|------|------|-----|------|----|------|------|-----|-----|
| PT-C04R01 | 4 | 8,7 | R1/8" | 16,4 | 15,1 | 8,0 | 11,8 | 10 | 10,4 | 8,2 | 3,0 | 7,0 |
| PT-C06R01 | 6 | 10,8 | R1/8" | 17,4 | 16,0 | 8,0 | 12,8 | 10 | 12,4 | 10,2 | 3,0 | 9,0 |

PT-C-M

Compact swivel male central tee metric thread nickel plated

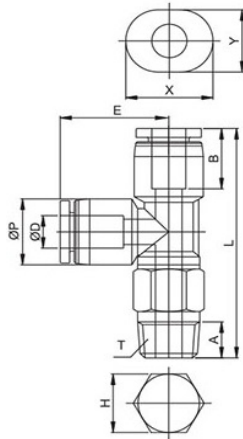


| CODE | ØD | ØP | T | L | E | A | B | H | X | Y | DN | GR. |
|----------|----|------|---------|------|------|-----|------|---|------|------|-----|-----|
| PT-C03M3 | 3 | 7,6 | M3X0,5P | 14,7 | 14,5 | 3,0 | 11,3 | 8 | 9,2 | 7,2 | 1,5 | 4,0 |
| PT-C03M5 | 3 | 7,6 | M5X0,8P | 15,3 | 14,5 | 3,6 | 11,3 | 8 | 9,2 | 7,2 | 2,5 | 5,0 |
| PT-C03M6 | 3 | 7,6 | M6X1,0P | 15,8 | 14,5 | 4,1 | 11,3 | 8 | 9,2 | 7,2 | 2,5 | 5,0 |
| PT-C04M3 | 4 | 8,7 | M3X0,5P | 15,3 | 15,1 | 3,0 | 11,8 | 8 | 10,4 | 8,2 | 1,5 | 5,0 |
| PT-C04M5 | 4 | 8,7 | M5X0,8P | 15,9 | 15,1 | 3,6 | 11,8 | 8 | 10,4 | 8,2 | 2,5 | 5,0 |
| PT-C04M6 | 4 | 8,7 | M6X1,0P | 16,4 | 15,1 | 4,1 | 11,8 | 8 | 10,4 | 8,2 | 3,0 | 6,0 |
| PT-C06M5 | 6 | 10,8 | M5X0,8P | 16,9 | 16,0 | 3,6 | 12,8 | 8 | 12,4 | 10,2 | 2,5 | 7,0 |
| PT-C06M6 | 6 | 10,8 | M6X1,0P | 17,4 | 16,0 | 4,1 | 12,8 | 8 | 12,4 | 10,2 | 3,0 | 7,0 |



PST-C-R

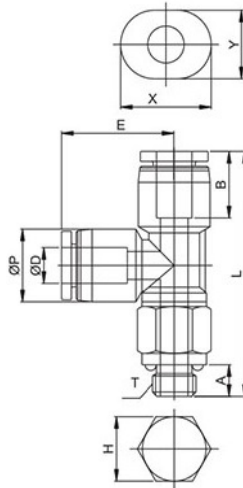
Compact swivel lateral male tee BSPT thread nickel plated



| CODE | ØD | ØP | T | L | E | A | B | H | X | Y | DN | GR. |
|------------|----|------|-------|------|------|-----|------|----|------|------|-----|------|
| PST-C04R01 | 4 | 8,7 | R1/8" | 30,9 | 14,6 | 8,0 | 11,8 | 10 | 10,4 | 8,2 | 3,0 | 9,0 |
| PST-C06R01 | 6 | 10,8 | R1/8" | 33,9 | 16,5 | 8,0 | 12,8 | 10 | 12,4 | 10,2 | 3,0 | 10,0 |

PST-C-M

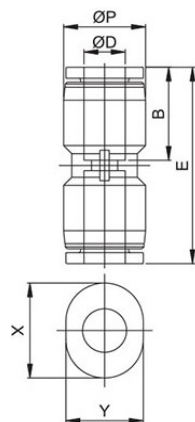
Compact swivel lateral male tee metric thread nickel plated



| CODE | ØD | ØP | T | L | E | A | B | H | X | Y | DN | GR. |
|-----------|----|------|---------|------|------|-----|------|---|------|------|-----|-----|
| PST-C03M3 | 3 | 7,6 | M3X0,5P | 28,3 | 13,6 | 3,0 | 11,3 | 8 | 9,2 | 7,2 | 1,5 | 4,0 |
| PST-C03M5 | 3 | 7,6 | M5X0,8P | 28,9 | 13,6 | 3,6 | 11,3 | 8 | 9,2 | 7,2 | 2,5 | 5,0 |
| PST-C03M6 | 3 | 7,6 | M6X1,0P | 29,4 | 13,6 | 4,1 | 11,3 | 8 | 9,2 | 7,2 | 2,5 | 5,0 |
| PST-C04M3 | 4 | 8,7 | M3X0,5P | 29,8 | 14,6 | 3,0 | 11,8 | 8 | 10,4 | 8,2 | 1,5 | 5,0 |
| PST-C04M5 | 4 | 8,7 | M5X0,8P | 30,4 | 14,6 | 3,6 | 11,8 | 8 | 10,4 | 8,2 | 2,5 | 6,0 |
| PST-C04M6 | 4 | 8,7 | M6X1,0P | 30,9 | 14,6 | 4,1 | 11,8 | 8 | 10,4 | 8,2 | 3,0 | 6,0 |
| PST-C06M5 | 6 | 10,8 | M5X0,8P | 33,4 | 16,5 | 3,6 | 12,8 | 8 | 12,4 | 10,2 | 2,5 | 7,0 |
| PST-C06M6 | 6 | 10,8 | M6X1,0P | 33,9 | 16,5 | 4,1 | 12,8 | 8 | 12,4 | 10,2 | 3,0 | 7,0 |

PUC-C

Compact union connector

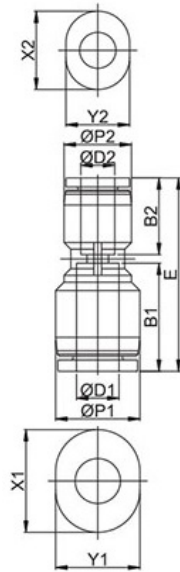


| CODE | ØD | ØP | E | B | X | Y | DN | GR. |
|---------|----|------|------|------|------|------|-----|-----|
| PUC-C03 | 3 | 7,5 | 23,8 | 11,4 | 9,2 | 7,2 | 2,4 | 3,0 |
| PUC-C04 | 4 | 8,4 | 24,5 | 11,8 | 10,4 | 8,2 | 3,0 | 3,0 |
| PUC-C06 | 6 | 10,6 | 26,8 | 12,9 | 12,4 | 10,2 | 4,0 | 3,0 |



PG-C

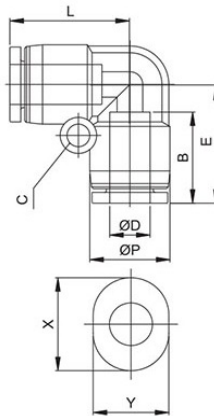
Compact reduced union connector



| CODE | ØD1 | ØD2 | ØP1 | ØP2 | E | B1 | B2 | X1 | Y1 | X2 | Y2 | DN | GR. |
|----------|-----|-----|------|-----|------|------|------|------|------|------|-----|-----|-----|
| PG-C0403 | 4 | 3 | 8,4 | 7,5 | 24,2 | 11,8 | 11,4 | 10,4 | 8,2 | 9,2 | 7,2 | 2,4 | 3,0 |
| PG-C0603 | 6 | 3 | 10,6 | 7,5 | 26,3 | 12,9 | 11,4 | 12,4 | 10,2 | 9,2 | 7,2 | 2,5 | 3,0 |
| PG-C0604 | 6 | 4 | 10,6 | 8,4 | 26,6 | 12,9 | 11,8 | 12,4 | 10,2 | 10,4 | 8,2 | 3,0 | 3,0 |

PUL-C

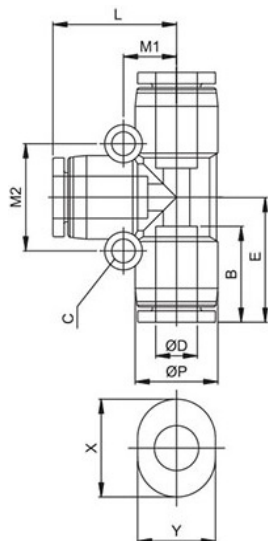
Compact union elbow



| CODE | ØD | ØP | L | E | ØC | B | X | Y | DN | GR. |
|---------|----|------|------|------|-----|------|------|------|-----|-----|
| PUL-C03 | 3 | 7,5 | 17,3 | 17,3 | 3,2 | 11,4 | 9,2 | 7,2 | 2,4 | 2,0 |
| PUL-C04 | 4 | 8,4 | 18,7 | 18,7 | 3,2 | 11,8 | 10,4 | 8,2 | 3,0 | 3,0 |
| PUL-C06 | 6 | 10,6 | 21,9 | 21,9 | 3,2 | 12,9 | 12,4 | 10,2 | 4,0 | 3,0 |

PUT-C

Compact union tee

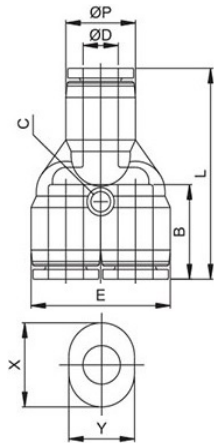


| CODE | ØD | ØP | L | E | ØC | B | M1 | M2 | X | Y | DN | GR. |
|---------|----|------|------|------|-----|------|-----|------|------|------|-----|-----|
| PUT-C03 | 3 | 7,5 | 17,3 | 27,2 | 3,2 | 11,4 | 5,3 | 10,7 | 9,2 | 7,2 | 2,4 | 3,0 |
| PUT-C04 | 4 | 8,4 | 18,7 | 28,9 | 3,2 | 11,8 | 5,8 | 11,6 | 10,4 | 8,2 | 3,0 | 3,0 |
| PUT-C06 | 6 | 10,6 | 21,9 | 33,2 | 3,2 | 12,9 | 6,9 | 13,8 | 12,4 | 10,2 | 4,0 | 6,0 |



PY-C

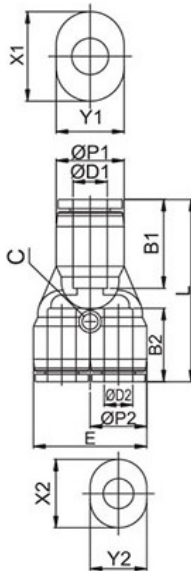
Compact union Y



| CODE | ØD | ØP | L | E | ØC | B | X | Y | DN | GR. |
|--------|----|------|------|------|-----|------|------|------|-----|-----|
| PY-C03 | 3 | 7,6 | 27,0 | 15,2 | 3,2 | 11,4 | 9,2 | 7,2 | 2,4 | 3,0 |
| PY-C04 | 4 | 8,7 | 28,0 | 17,4 | 3,2 | 11,8 | 10,4 | 8,2 | 3,0 | 5,0 |
| PY-C06 | 6 | 10,8 | 30,8 | 21,6 | 3,2 | 12,9 | 12,4 | 10,2 | 4,0 | 6,0 |

PW-C

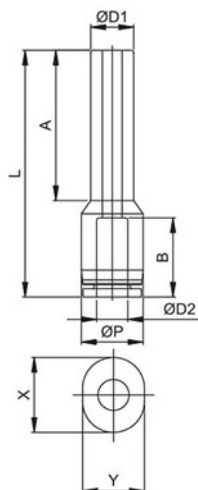
Compact reduced union Y



| CODE | ØD1 | ØD2 | ØP1 | ØP2 | L | E | ØC | B1 | B2 | X1 | X2 | Y1 | Y2 | DN | GR. |
|----------|-----|-----|------|-----|------|------|-----|------|------|------|------|------|-----|-----|-----|
| PW-C0403 | 3 | 3 | 8,7 | 7,6 | 27,6 | 15,2 | 3,2 | 11,8 | 11,4 | 10,4 | 8,2 | 9,2 | 7,2 | 2,0 | 3,0 |
| PW-C0603 | 6 | 3 | 10,8 | 7,6 | 28,8 | 15,2 | 3,2 | 12,9 | 11,4 | 12,4 | 10,2 | 9,2 | 7,2 | 2,4 | 4,0 |
| PW-C0604 | 6 | 4 | 10,8 | 8,7 | 29,1 | 17,4 | 3,2 | 12,9 | 11,8 | 12,4 | 10,2 | 10,4 | 8,2 | 3,0 | 5,0 |

PGJ-C

Compact reducer



| CODE | ØD1 | ØD2 | ØP | L | A | B | X | Y | DN | GR. |
|-----------|-----|-----|-----|------|------|------|------|-----|-----|-----|
| PGJ-C0403 | 4 | 3 | 7,6 | 30,5 | 18,0 | 11,4 | 9,2 | 7,2 | 2,4 | 1,0 |
| PGJ-C0603 | 6 | 3 | 7,6 | 32,1 | 21,6 | 11,4 | 9,2 | 7,2 | 2,4 | 2,0 |
| PGJ-C0604 | 6 | 4 | 8,4 | 33,7 | 21,8 | 11,8 | 10,4 | 8,2 | 3,0 | 3,0 |



BRASS PUSH-IN FITTINGS

PLUS

HIGH PERFORMANCE FITTINGS,
easy to be used.

STRONG but also compact in order to
ensure the maximum assembling flexibility.

SILICON FREE MATERIALS.

IN COMPLIANCE WITH ISO 14743.

COMPLETE RANGE suitable to be used
with different kind of tubing.

ELECTROLYTIC NICKEL PLATING
to ensure the maximum lasting in time.

**SUITABLE WITH VACUUM
APPLICATIONS.**

STATIC GRIPPING SYSTEM in order
to stop all the movements of the tube when
inserted, granting **A LEAK-PROOF
CONNECTION.**

Every fitting is **STUDIED TO GUARANTEE
THE MAXIMUM POSSIBLE FLOW
RATE** accordingly to the diameter of the tube
and of the thread.

O-RING WITH ENLARGED SECTION
to improve the gripping and the resistance to
vibrations and lateral movements of the tube.



N



p. 54 / **OTRC-R**



p. 54 / **OTRC-G**



p. 55 / **OTRC-N**



p. 55 / **OTROC-N**



p. 55 / **OTRMM**



p. 56 / **OTRME**



p. 56 / **OTRL-R**



p. 56 / **OTRL-G**



p. 57 / **OTRL-N**



p. 57 / **OTRT-R**



p. 58 / **OTRT-G**



p. 58 / **OTRT-N**



p. 59 / **OTA-G**



p. 59 / **OTRUC**



p. 59 / **OTRUC-N**



p. 60 / **OTRUL**



p. 60 / **OTRUL-N**



p. 60 / **OTRUT**

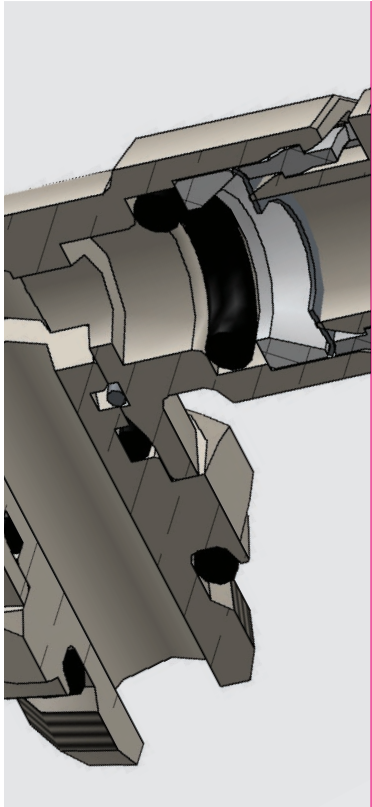


p. 60 / **OTRUT-N**



p. 61 / **OTRGJ**





-20°C ÷ 80°C



Working pressure:
16 Bar

Negative pressure:
-750 mmHg



Compressed air and vacuum.



Taper gas BSPT ISO 7
from R1/8" to R1/2"

Parallel gas BSPP ISO 228
from G1/8" to G1/2"

Metric ISO 262 M5 and M6

NPT ANSI B 1.20.1

from N1/8" to N1/2"

UNF ANSI B 1.1 10-32 UF



Polyamide, Polyurethane

Body: nickel plated brass
UNI EN 12164 CW614N & UNI
EN 12164 CW617N

Collar: POM



Collet (sleeve): nickel plated brass
UNI EN 12164 CW614N

Seals: NBR silicon free

Lock claw: AISI 301 stainless steel

Back ring: PBT

Retaining ring for swivel systems:
AISI 302 stainless steel



Products in compliance with
the directive 2002/95/EC



Products in compliance with
the directive 2011/65/EU

SILICON FREE

INSERTION OF THE TUBE INTO THE FITTING

- Make sure the tube is fully inserted into the fitting.
- To insert the tube into the fitting cut the tube at a squared angle (90°), insert up to the end and pull gently to make sure it is correctly connected.
- If there are any damages or scratches on the tube surface or an oval shape, air leakage and tube release may occur. Check it carefully.
- The OD of polyurethane tubes expand when pressure is applied. Reinsertion into the fitting may not be possible. Check the OD of the tube and change the tube if the expansion is serious.
- Always remove by cutting the part of the tube previously inserted into the fitting. Use a proper tube cutter in order to cut the tube.

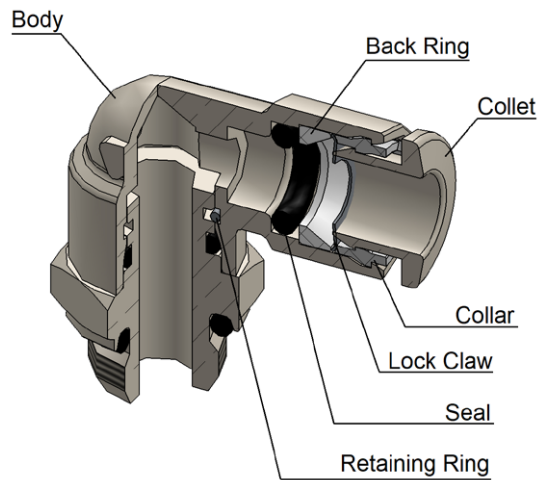
DISCONNECTION OF THE TUBE FROM THE FITTING

- Make sure the pressure is zero before releasing the tube from the fitting.
- To release the tube, press the release ring regularly at the end and pull the tube with one hand.

TOLERANCE TUBE

| TUBES Ø | Ø 4 mm | Ø 6 mm | Ø 8 mm | Ø 10 mm | Ø 12 mm |
|-----------------|--------|--------|--------|---------|---------|
| TOLERANCES (mm) | ± 0,1 | ± 0,1 | ± 0,1 | ± 0,15 | ± 0,15 |

CONSTRUCTION MATERIALS



INSERTION TUBE

| DIAMETER TUBES Ø | Ø 4 mm | Ø 6 mm | Ø 8 mm | Ø 10 mm | Ø 12 mm |
|-----------------------------|--------|--------|--------|---------|---------|
| TUBES INSERTION LENGHT (mm) | 14 | 15,5 | 17,5 | 19 | 21 |



TOLERANCE TUBE

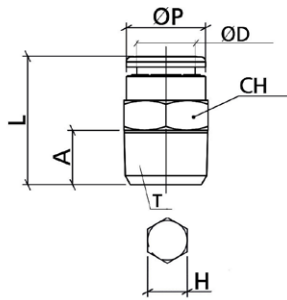
| TUBES Ø | Ø 5/32 | Ø 5/16 | Ø 1/4 | Ø 3/8 | Ø 1/2 |
|-------------------|--------|--------|--------|---------|---------|
| TOLERANCES (INCH) | ±0,003 | ±0,003 | ±0,003 | ± 0,005 | ± 0,005 |

INSERTION TUBE

| DIAMETER TUBES Ø | Ø 5/32 | Ø 5/16 | Ø 1/4 | Ø 3/8 | Ø 1/2 |
|-------------------------------|--------|--------|-------|-------|-------|
| TUBES INSERTION LENGHT (INCH) | 0,551 | 0,688 | 0,629 | 0,728 | 0,846 |

OTRC-R

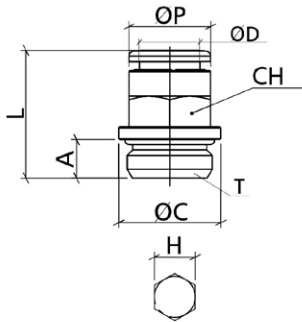
Male connector internal hexagonal BSPT thread nickel plated



| CODE | ØD | T | ØP | A | L | CH | H |
|-----------|----|-------|----|----|------|----|----|
| OTRC04R01 | 4 | R1/8" | 10 | 8 | 18,5 | 10 | 3 |
| OTRC04R02 | 4 | R1/4" | 10 | 10 | 20 | 14 | 3 |
| OTRC06R01 | 6 | R1/8" | 12 | 8 | 21 | 12 | 4 |
| OTRC06R02 | 6 | R1/4" | 12 | 10 | 20 | 14 | 4 |
| OTRC08R01 | 8 | R1/8" | 14 | 8 | 26 | 14 | 5 |
| OTRC08R02 | 8 | R1/4" | 14 | 10 | 24 | 14 | 6 |
| OTRC08R03 | 8 | R3/8" | 14 | 11 | 22 | 17 | 6 |
| OTRC10R02 | 10 | R1/4" | 16 | 10 | 31 | 16 | 6 |
| OTRC10R03 | 10 | R3/8" | 16 | 11 | 26 | 17 | 8 |
| OTRC10R04 | 10 | R1/2" | 16 | 14 | 26,5 | 22 | 8 |
| OTRC12R02 | 12 | R1/4" | 19 | 10 | 33 | 19 | 6 |
| OTRC12R03 | 12 | R3/8" | 19 | 11 | 29,5 | 19 | 10 |
| OTRC12R04 | 12 | R1/2" | 19 | 14 | 27 | 22 | 10 |

OTRC-G

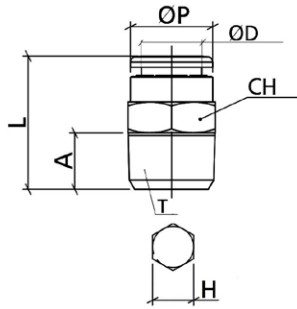
Male connector internal hexagonal BSPP & metric thread nickel plated



| CODE | ØD | T | ØC | ØP | A | L | CH | H |
|-----------|----|--------|----|----|-----|------|----|-----|
| OTRC04M5 | 4 | M5X0,8 | 7 | 10 | 4 | 19 | 9 | 2,5 |
| OTRC04G01 | 4 | G1/8" | 14 | 10 | 5,5 | 18 | 10 | 3 |
| OTRC04G02 | 4 | G1/4" | 16 | 10 | 6,5 | 18 | 10 | 3 |
| OTRC06M5 | 6 | M5X0,8 | 7 | 12 | 4 | 21 | 11 | 2,5 |
| OTRC06G01 | 6 | G1/8" | 14 | 12 | 5,5 | 19,5 | 12 | 4 |
| OTRC06G02 | 6 | G1/4" | 16 | 12 | 6,5 | 19,5 | 12 | 4 |
| OTRC08G01 | 8 | G1/8" | 14 | 14 | 5,5 | 24,5 | 14 | 5 |
| OTRC08G02 | 8 | G1/4" | 16 | 14 | 6,5 | 21,5 | 14 | 6 |
| OTRC08G03 | 8 | G3/8" | 20 | 14 | 7,5 | 21,5 | 14 | 6 |
| OTRC10G02 | 10 | G1/4" | 16 | 16 | 6,5 | 27,5 | 16 | 6 |
| OTRC10G03 | 10 | G3/8" | 20 | 16 | 7,5 | 25 | 16 | 8 |
| OTRC10G04 | 10 | G1/2" | 25 | 16 | 9 | 25 | 16 | 8 |
| OTRC12G02 | 12 | G1/4" | 16 | 19 | 6,5 | 30 | 19 | 6 |
| OTRC12G03 | 12 | G3/8" | 22 | 19 | 7,5 | 29,5 | 19 | 10 |
| OTRC12G04 | 12 | G1/2" | 25 | 19 | 9 | 28 | 19 | 10 |



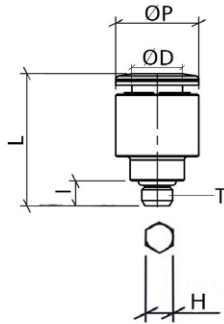
OTRC-N



Male connector internal hexagonal NPT thread nickel plated

| CODE | ØD | T | ØP | A | L | CH | H |
|------------|-------|-------|-------|-------|-------|--------|-------|
| OTRC532N01 | 5/32" | N1/8" | 0,393 | 0,334 | 0,748 | 7/16" | 1/8" |
| OTRC532N02 | 5/32" | N1/4" | 0,393 | 0,413 | 0,787 | 9/16" | 1/8" |
| OTRC1-4N01 | 1/4" | N1/8" | 0,511 | 0,334 | 0,885 | 1/2" | 3/16" |
| OTRC1-4N02 | 1/4" | N1/4" | 0,511 | 0,413 | 0,885 | 9/16" | 3/16" |
| OTRC516N01 | 5/16" | N1/8" | 0,551 | 0,334 | 1,062 | 9/16" | 3/16" |
| OTRC516N02 | 5/16" | N1/4" | 0,551 | 0,413 | 1,003 | 9/16" | 1/4" |
| OTRC516N03 | 5/16" | N3/8" | 0,551 | 0,452 | 0,925 | 11/16" | 1/4" |
| OTRC38N01 | 3/8" | N1/8" | 0,629 | 0,334 | 1,122 | 11/16" | 3/16" |
| OTRC38N02 | 3/8" | N1/4" | 0,629 | 0,413 | 1,181 | 11/16" | 1/4" |
| OTRC38N03 | 3/8" | N3/8" | 0,629 | 0,452 | 1,003 | 11/16" | 5/16" |
| OTRC38N04 | 3/8" | N1/2" | 0,629 | 0,570 | 1,043 | 7/8" | 5/16" |
| OTRC1-2N02 | 1/2" | N1/4" | 0,748 | 0,413 | 1,318 | 7/8" | 1/4" |
| OTRC1-2N03 | 1/2" | N3/8" | 0,748 | 0,452 | 1,338 | 7/8" | 3/8" |
| OTRC1-2N04 | 1/2" | N1/2" | 0,748 | 0,570 | 1,181 | 7/8" | 3/8" |

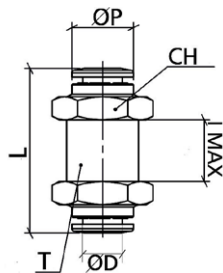
OTROC-N



Male connector internal hexagon UNF thread nickel plated

| CODE | ØD | T | ØP | I | L | H |
|----------------|-------|-----------|-------|-------|-------|-------|
| OTROC532UF1032 | 5/32" | UNF 10-32 | 0,393 | 0,157 | 0,748 | 3/32" |
| OTROC1-4UF1032 | 1/4" | UNF 10-32 | 0,511 | 0,157 | 0,846 | 3/32" |

OTRMM



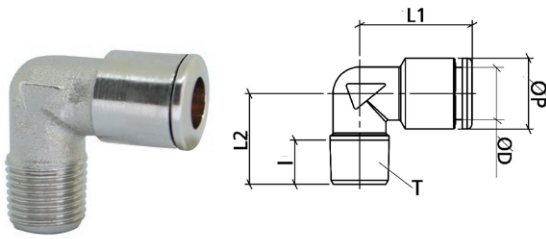
Bulkhead connector nickel plated

| CODE | ØD | T | ØP | L | I MAX | CH |
|---------|----|---------|----|------|-------|----|
| OTRMM04 | 4 | M12X1 | 10 | 34 | 15 | 16 |
| OTRMM06 | 6 | M14X1 | 12 | 32 | 12 | 17 |
| OTRMM08 | 8 | M16X1 | 14 | 36,5 | 16 | 19 |
| OTRMM10 | 10 | M20X1 | 16 | 43 | 19 | 24 |
| OTRMM12 | 12 | M22X1,5 | 19 | 44 | 20 | 25 |



OTRME

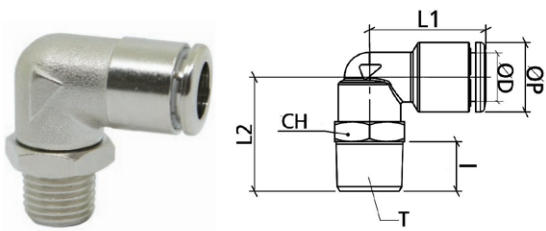
Male elbow BSPT thread nickel plated



| CODE | ØD | T | ØP | I | L1 | L2 |
|------------|----|-------|----|----|------|-------|
| OTRME04R01 | 4 | R1/8" | 10 | 8 | 18 | 15,5 |
| OTRME06R01 | 6 | R1/8" | 12 | 8 | 19,5 | 15,5 |
| OTRME06R02 | 6 | R1/4" | 12 | 10 | 20,5 | 19,25 |
| OTRME08R01 | 8 | R1/8" | 14 | 8 | 22,5 | 16,5 |
| OTRME08R02 | 8 | R1/4" | 14 | 10 | 22,5 | 19,25 |
| OTRME10R02 | 10 | R1/4" | 16 | 10 | 25,5 | 20,5 |

OTRL-R

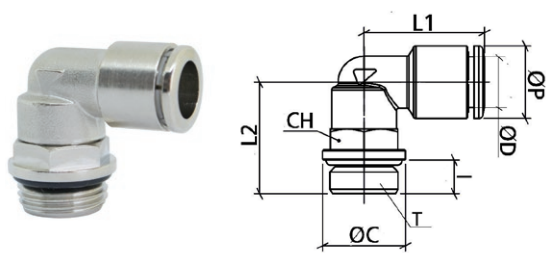
Swivel male elbow BSPT thread nickel plated



| CODE | ØD | T | ØP | I | L1 | L2 | CH |
|-----------|----|-------|----|----|------|------|----|
| OTRL04R01 | 4 | R1/8" | 10 | 8 | 19,5 | 20,5 | 13 |
| OTRL04R02 | 4 | R1/4" | 10 | 10 | 19,5 | 23 | 14 |
| OTRL06R01 | 6 | R1/8" | 12 | 8 | 21 | 20,5 | 13 |
| OTRL06R02 | 6 | R1/4" | 12 | 10 | 21 | 23 | 14 |
| OTRL08R01 | 8 | R1/8" | 14 | 8 | 23 | 20,5 | 13 |
| OTRL08R02 | 8 | R1/4" | 14 | 10 | 23 | 23 | 14 |
| OTRL08R03 | 8 | R3/8" | 14 | 11 | 23 | 24,5 | 17 |
| OTRL10R02 | 10 | R1/4" | 16 | 10 | 26 | 25,5 | 16 |
| OTRL10R03 | 10 | R3/8" | 16 | 11 | 26 | 27 | 17 |
| OTRL10R04 | 10 | R1/2" | 16 | 14 | 26 | 30 | 22 |
| OTRL12R02 | 12 | R1/4" | 19 | 10 | 31 | 28 | 20 |
| OTRL12R03 | 12 | R3/8" | 19 | 11 | 31 | 28,5 | 20 |
| OTRL12R04 | 12 | R1/2" | 19 | 14 | 31 | 31,5 | 22 |

OTRL-G

Swivel male elbow BSPP & metric nickel plated

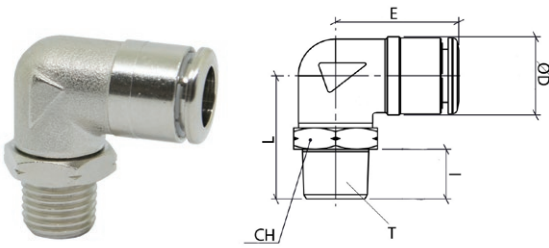


| CODE | ØD | T | ØP | ØC | I | L1 | L2 | CH |
|-----------|----|--------|----|----|-----|------|------|----|
| OTRL04M5 | 4 | M5X0,8 | 10 | 7 | 4 | 18 | 15 | 8 |
| OTRL04G01 | 4 | G1/8" | 10 | 13 | 5,5 | 19,5 | 19 | 13 |
| OTRL04G02 | 4 | G1/4" | 10 | 16 | 6,5 | 19,5 | 21,5 | 13 |
| OTRL06M5 | 6 | M5X0,8 | 12 | 7 | 4 | 19,5 | 16 | 8 |
| OTRL06G01 | 6 | G1/8" | 12 | 13 | 5,5 | 21 | 19 | 13 |
| OTRL06G02 | 6 | G1/4" | 12 | 16 | 6,5 | 21 | 21,5 | 13 |
| OTRL08G01 | 8 | G1/8" | 14 | 13 | 5,5 | 23 | 19 | 13 |
| OTRL08G02 | 8 | G1/4" | 14 | 16 | 6,5 | 23 | 21,5 | 13 |
| OTRL08G03 | 8 | G3/8" | 14 | 20 | 7,5 | 23 | 23 | 13 |
| OTRL10G02 | 10 | G1/4" | 16 | 16 | 6,5 | 26 | 23 | 16 |
| OTRL10G03 | 10 | G3/8" | 16 | 20 | 7,5 | 26 | 26 | 16 |
| OTRL10G04 | 10 | G1/2" | 16 | 25 | 9 | 26 | 27,5 | 16 |
| OTRL12G02 | 12 | G1/4" | 19 | 16 | 6,5 | 31 | 25,5 | 20 |
| OTRL12G03 | 12 | G3/8" | 19 | 20 | 7,5 | 31 | 26,5 | 20 |
| OTRL12G04 | 12 | G1/2" | 19 | 25 | 9 | 31 | 29 | 20 |



OTRL-N

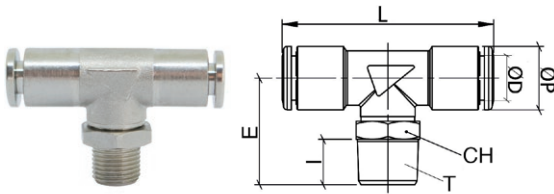
Swivel male elbow NPT & UNF thread nickel plated



| CODE | ØD | T | E | I | L | CH |
|---------------|-------|-----------|-------|-------|-------|--------|
| OTRL532UF1032 | 5/32" | UNF 10/32 | 0,708 | 0,157 | 0,590 | 3/8" |
| OTRL532N01 | 5/32" | N1/8" | 0,767 | 0,334 | 0,826 | 9/16" |
| OTRL532N02 | 5/32" | N1/4" | 0,767 | 0,413 | 0,925 | 9/16" |
| OTRL1-4N01 | 1/4" | N1/8" | 0,826 | 0,334 | 0,826 | 9/16" |
| OTRL1-4N02 | 1/4" | N1/4" | 0,857 | 0,413 | 0,925 | 9/16" |
| OTRL516N01 | 5/16" | N1/8" | 0,905 | 0,334 | 0,826 | 9/16" |
| OTRL516N02 | 5/16" | N1/4" | 0,905 | 0,413 | 0,925 | 9/16" |
| OTRL516N03 | 5/16" | N3/8" | 0,905 | 0,452 | 0,984 | 11/16" |
| OTRL38N01 | 3/8" | N1/8" | 1,003 | 0,334 | 0,944 | 11/16" |
| OTRL38N02 | 3/8" | N1/4" | 1,003 | 0,413 | 1,023 | 11/16" |
| OTRL38N03 | 3/8" | N3/8" | 1,023 | 0,452 | 1,082 | 11/16" |
| OTRL38N04 | 3/8" | N1/2" | 1,003 | 0,570 | 1,200 | 7/8" |
| OTRL1-2N02 | 1/2" | N1/4" | 1,220 | 0,413 | 1,122 | 7/8" |
| OTRL1-2N03 | 1/2" | N3/8" | 1,220 | 0,452 | 1,161 | 7/8" |
| OTRL1-2N04 | 1/2" | N1/2" | 1,220 | 0,570 | 1,279 | 7/8" |

OTRT-R

Swivel male tee BSPT thread nickel plated

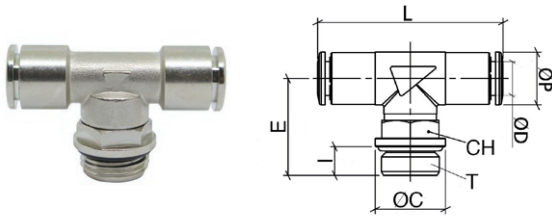


| CODE | ØD | T | ØP | I | E | L | CH |
|-----------|----|-------|----|----|------|------|----|
| OTRT04R01 | 4 | R1/8" | 10 | 8 | 21 | 39 | 13 |
| OTRT04R02 | 4 | R1/4" | 10 | 10 | 23,5 | 39 | 14 |
| OTRT06R01 | 6 | R1/8" | 12 | 8 | 21 | 42 | 13 |
| OTRT06R02 | 6 | R1/4" | 12 | 10 | 23,5 | 42 | 14 |
| OTRT08R01 | 8 | R1/8" | 14 | 8 | 21 | 46,5 | 13 |
| OTRT08R02 | 8 | R1/4" | 14 | 10 | 23,5 | 46,5 | 14 |
| OTRT08R03 | 8 | R3/8" | 14 | 11 | 25 | 46,5 | 17 |
| OTRT10R02 | 10 | R1/4" | 16 | 10 | 25,5 | 52 | 16 |
| OTRT10R03 | 10 | R3/8" | 16 | 11 | 27 | 52 | 17 |
| OTRT10R04 | 10 | R1/2" | 16 | 14 | 30 | 52 | 22 |
| OTRT12R02 | 12 | R1/4" | 19 | 10 | 28 | 62 | 20 |
| OTRT12R03 | 12 | R3/8" | 19 | 11 | 28,5 | 62 | 20 |
| OTRT12R04 | 12 | R1/2" | 19 | 14 | 31,5 | 62 | 22 |



OTRT-G

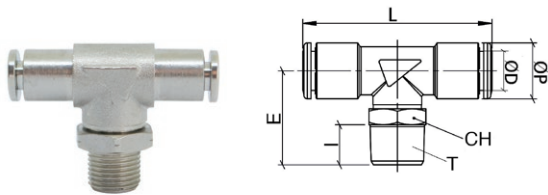
Swivel male tee BSPP & metric thread nickel plated



| CODE | ØD | T | ØP | I | E | L | CH |
|-----------|----|--------|----|-----|------|------|----|
| OTRT04M5 | 4 | M5X0,8 | 10 | 4 | 17 | 32 | 8 |
| OTRT04G01 | 4 | G1/8" | 10 | 5,5 | 19,5 | 39 | 13 |
| OTRT04G02 | 4 | G1/4" | 10 | 6,5 | 22 | 39 | 13 |
| OTRT06M5 | 6 | M5X0,8 | 12 | 4 | 17 | 40 | 8 |
| OTRT06G01 | 6 | G1/8" | 12 | 5,5 | 19,5 | 42 | 13 |
| OTRT06G02 | 6 | G1/4" | 12 | 6,5 | 22 | 42 | 13 |
| OTRT08G01 | 8 | G1/8" | 14 | 5,5 | 19,5 | 46,5 | 13 |
| OTRT08G02 | 8 | G1/4" | 14 | 6,5 | 22 | 46,5 | 13 |
| OTRT08G03 | 8 | G3/8" | 14 | 7,5 | 23,5 | 46,5 | 13 |
| OTRT10G02 | 10 | G1/4" | 16 | 6,5 | 23 | 52 | 16 |
| OTRT10G03 | 10 | G3/8" | 16 | 7,5 | 26 | 52 | 16 |
| OTRT10G04 | 10 | G1/2" | 16 | 9 | 27,5 | 52 | 16 |
| OTRT12G02 | 12 | G1/4" | 19 | 6,5 | 25,5 | 62 | 20 |
| OTRT12G03 | 12 | G3/8" | 19 | 7,5 | 26,5 | 62 | 20 |
| OTRT12G04 | 12 | G1/2" | 19 | 9 | 29 | 62 | 20 |

OTRT-N

Swivel male tee NPT & UNF thread nickel plated

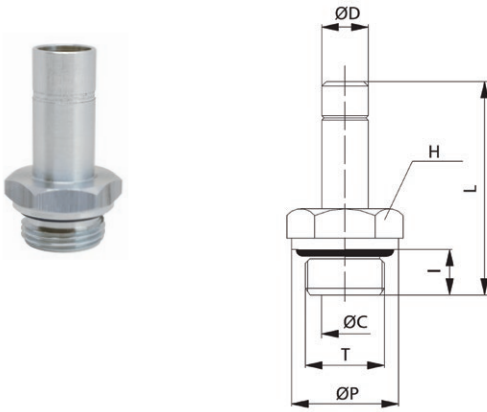


| CODE | ØD | T | ØP | CH | I | E | L |
|---------------|-------|-----------|-------|--------|-------|-------|-------|
| OTRT532UF1032 | 5/32" | UNF 10-32 | 0,393 | 3/8" | 0,157 | 0,669 | 1,259 |
| OTRT532N01 | 5/32" | N1/8" | 0,393 | 9/16" | 0,334 | 0,846 | 1,535 |
| OTRT532N02 | 5/32" | N1/4" | 0,393 | 9/16" | 0,413 | 0,944 | 1,535 |
| OTRT1-4N01 | 1/4" | N1/8" | 0,551 | 9/16" | 0,334 | 0,846 | 1,673 |
| OTRT1-4N02 | 1/4" | N1/4" | 0,551 | 9/16" | 0,413 | 0,944 | 1,673 |
| OTRT516N01 | 5/16" | N1/8" | 0,551 | 9/16" | 0,334 | 0,846 | 1,830 |
| OTRT516N02 | 5/16" | N1/4" | 0,551 | 9/16" | 0,413 | 0,944 | 1,830 |
| OTRT38N02 | 3/8" | N1/4" | 0,649 | 11/16" | 0,413 | 1,023 | 2,027 |
| OTRT38N03 | 3/8" | N3/8" | 0,649 | 11/16" | 0,452 | 1,082 | 2,027 |
| OTRT1-2N02 | 1/2" | N1/4" | 0,767 | 7/8" | 0,413 | 1,122 | 2,440 |
| OTRT1-2N03 | 1/2" | N3/8" | 0,767 | 7/8" | 0,452 | 1,161 | 2,440 |



OTA-G

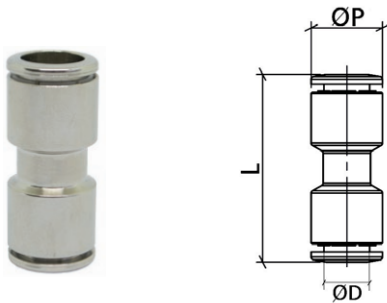
Stem adapter BSPP & metric thread nickel plated



| CODE | ØD | T | DN | ØP | ØC | I | L | H | GR. |
|----------|----|-------|------|------|------|------|------|----|------|
| OTA04M5 | 4 | M5 | 2,0 | 8,0 | 2,0 | 4,0 | 24,5 | 8 | 3,0 |
| OTA04M7 | 4 | M7 | 2,0 | - | 4,0 | 6,0 | 26,0 | 10 | 5,0 |
| OTA04G01 | 4 | G1/8" | 2,0 | 13,0 | 6,0 | 6,0 | 28,0 | 13 | 10,0 |
| OTA04G02 | 4 | G1/4" | 2,0 | 16,0 | 7,5 | 8,0 | 30,0 | 13 | 11,0 |
| OTA06M5 | 6 | M5 | 2,6 | 8,0 | 2,6 | 4,0 | 26,0 | 8 | 5,0 |
| OTA04M7 | 6 | M7 | 4,0 | - | 4,0 | 6,0 | 28,0 | 10 | 7,0 |
| OTA06G01 | 6 | G1/8" | 4,0 | 13,0 | 6,0 | 6,0 | 29,5 | 13 | 9,0 |
| OTA06G02 | 6 | G1/4" | 4,0 | 16,0 | 7,5 | 8,0 | 32,0 | 13 | 13,0 |
| OTA08G01 | 8 | G1/8" | 6,0 | 13,0 | 6,0 | 6,0 | 31,0 | 13 | 10,0 |
| OTA08G02 | 8 | G1/4" | 6,0 | 16,0 | 7,5 | 8,0 | 33,5 | 13 | 13,0 |
| OTA08G03 | 8 | G3/8" | 6,0 | 20,0 | 9,0 | 9,0 | 35,5 | 13 | 21,0 |
| OTA10G01 | 10 | G1/8" | 6,0 | 13,0 | 6,0 | 6,0 | 35,5 | 13 | 17,0 |
| OTA10G02 | 10 | G1/4" | 8,0 | 16,0 | 8,0 | 8,0 | 38,0 | 13 | 15,0 |
| OTA10G03 | 10 | G3/8" | 8,0 | 20,0 | 8,0 | 9,0 | 41,0 | 13 | 26,0 |
| OTA12G02 | 12 | G1/4" | 8,0 | 16,0 | 8,0 | 8,0 | 39,0 | 13 | 22,0 |
| OTA12G03 | 12 | G3/8" | 10,0 | 20,0 | 11,0 | 9,0 | 42,0 | 13 | 22,0 |
| OTA12G04 | 12 | G1/2" | 10,0 | 24,0 | 13,0 | 11,0 | 44,0 | 16 | 35,0 |
| OTA14G03 | 14 | G3/8" | 12,0 | 20,0 | 12,0 | 9,0 | 44,5 | 16 | 23,0 |
| OTA14G04 | 14 | G1/2" | 12,0 | 24,0 | 13,0 | 11,0 | 46,5 | 16 | 33,0 |

OTRUC

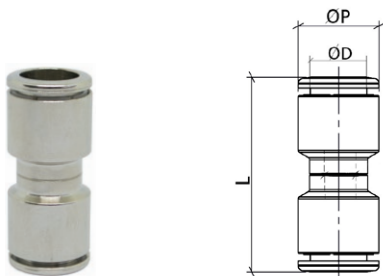
Union connector nickel plated



| CODE | ØD | ØP | L |
|-------------|----|----|------|
| OTRUC04-532 | 4 | 10 | 29 |
| OTRUC0600 | 6 | 12 | 32 |
| OTRUC08-516 | 8 | 14 | 35,5 |
| OTRUC1000 | 10 | 16 | 39,5 |
| OTRUC1200 | 12 | 19 | 44 |

OTRUC-N

Union connector nickel plated

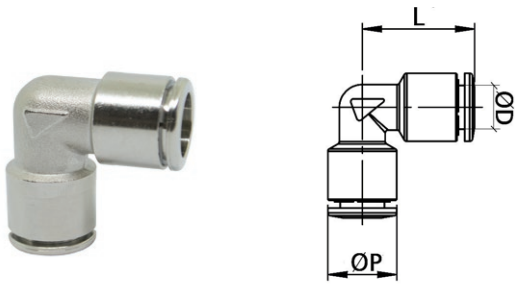


| CODE | ØD | ØP | L |
|-------------|-------|-------|-------|
| OTRUC04-532 | 5/32" | 0,393 | 1,141 |
| OTRUC1-4 | 1/4" | 0,511 | 1,299 |
| OTRUC08-516 | 5/16" | 0,551 | 1,397 |
| OTRUC38 | 3/8" | 0,629 | 1,515 |
| OTRUC1-2 | 1/2" | 0,748 | 1,732 |



OTRUL

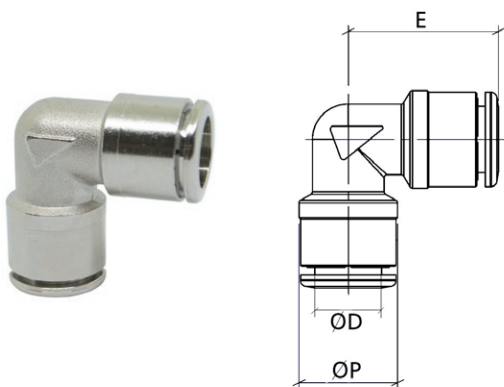
Union elbow nickel plated



| CODE | ØD | ØP | L |
|-------------|----|----|------|
| OTRUL04-532 | 4 | 10 | 18 |
| OTRUL0600 | 6 | 12 | 19,5 |
| OTRUL08-516 | 8 | 14 | 22,5 |
| OTRUL1000 | 10 | 16 | 25,5 |
| OTRUL1200 | 12 | 19 | 29 |

OTRUL-N

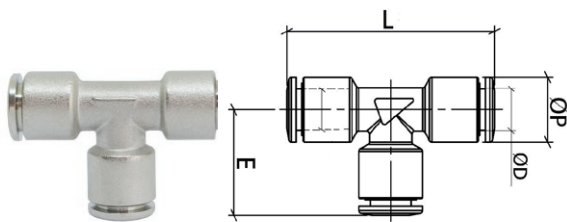
Union elbow nickel plated



| CODE | ØD | ØP | E |
|-------------|-------|-------|-------|
| OTRUL04-532 | 5/32" | 0,393 | 0,708 |
| OTRUL1-4 | 1/4" | 0,551 | 0,826 |
| OTRUL08-516 | 5/16" | 0,551 | 0,885 |
| OTRUL38 | 3/8" | 0,649 | 0,984 |
| OTRUL1-2 | 1/2" | 0,767 | 1,122 |

OTRUT

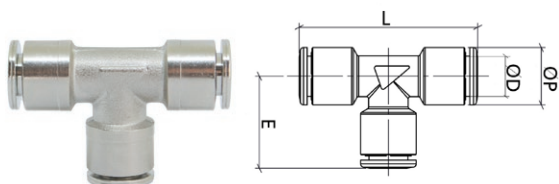
Union tee nickel plated



| CODE | ØD | ØP | E | L |
|-------------|----|----|------|----|
| OTRUT04-532 | 4 | 10 | 18 | 36 |
| OTRUT0600 | 6 | 12 | 19,5 | 39 |
| OTRUT08-516 | 8 | 14 | 22,5 | 45 |
| OTRUT1000 | 10 | 16 | 25,5 | 51 |
| OTRUT1200 | 12 | 19 | 29 | 58 |

OTRUT-N

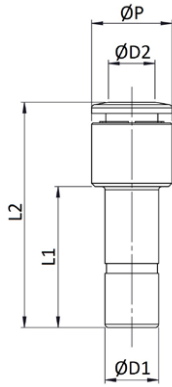
Union tee nickel plated



| CODE | ØD | ØP | E | L |
|-------------|-------|-------|-------|-------|
| OTRUT04-532 | 5/32" | 0,393 | 0,708 | 1,417 |
| OTRUT1-4 | 1/4" | 0,551 | 0,826 | 1,633 |
| OTRUT08-516 | 5/16" | 0,551 | 0,885 | 1,771 |
| OTRUT38 | 3/8" | 0,649 | 0,984 | 1,988 |
| OTRUT1-2 | 1/2" | 0,767 | 1,122 | 2,263 |



OTRGJ



Stem reduction nickel plated

| CODE | ØD1 | ØD2 | ØP | L1 | L2 |
|-----------|-----|-----|----|-------|-------|
| OTRGJ0604 | 6 | 4 | 10 | 19,50 | 31 |
| OTRGJ0806 | 8 | 6 | 12 | 21,50 | 34,50 |
| OTRGJ1008 | 10 | 8 | 14 | 22,50 | 36,50 |
| OTRGJ1210 | 12 | 10 | 16 | 25,0 | 40,50 |





BRASS PUSH-IN FITTINGS WITH T.E.A. SURFACE TREATMENT

PLUS

**HIGH CORROSION
AND CHEMICAL RESISTANCE**

**SURFACE FINISHING
TREATMENT (T.E.A.)**

**STUDIED TO GUARANTEE RELIABILITY
AND HIGH MECHANICAL EFFICIENCY**

**EXTREMELY SOLID AS THEY
ARE IN METAL**

VACUUM RESISTANCE





p. 66 / **HFC-G**



p. 66 / **HFCF**



p. 66 / **HFMM**



p. 67 / **HFL-G**



p. 67 / **HFUC**

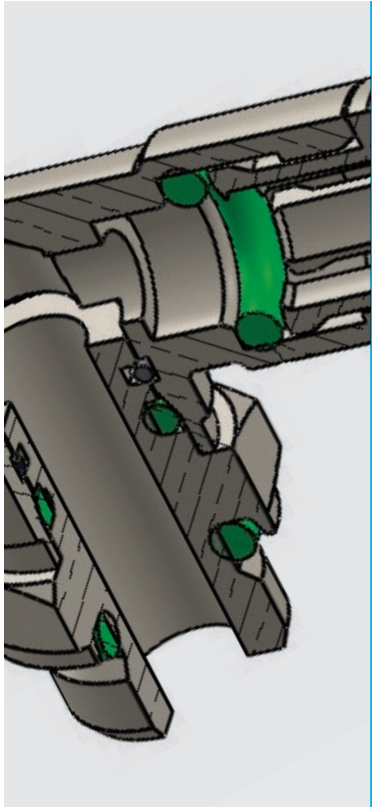


p. 67 / **HFUL**



p. 67 / **HFUT**





-20°C ÷ 150°C



Working pressure:
16 Bar
Negative pressure:
-750 mmHg



Compressed air, vacuum and fluids compatible with the construction materials.



Parallel gas BSPP ISO 228 from G1/8" to G1/2"
Metric ISO 262 M5x0,8P



Polyethylene, Polyamide, Polyurethane, PTFE - FEP

Body: brass UNI EN 12164 CW614N & UNI EN 12164 CW617N surface treatment T.E.A.



Collet: brass UNI EN 12164 CW614N surface treatment T.E.A.

Lock claw: brass UNI EN 12164 CW614N surface treatment T.E.A.

O-Ring: viton suitable for food contact

Retaining ring for swivel systems: AISI 302 stainless steel (1.4310)



Products in compliance with the directive 2002/95/EC

RoHS2

Products in compliance with the directive 2011/65/EU

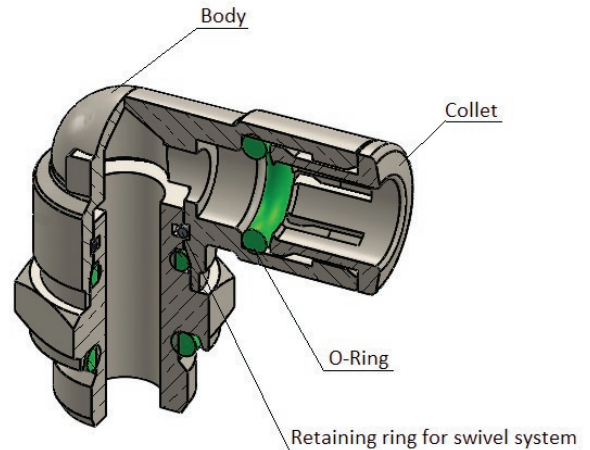
INSERTION OF THE TUBE INTO THE FITTING

- Make sure the tube is fully inserted into the fitting.
- To insert the tube into the fitting cut the tube at a squared angle (90°), insert up to the end and pull gently to make sure it is correctly connected.
- If there are any damages or scratches on the tube surface or an oval shape, air leakage and tube release may occur. Check it carefully.
- The OD of polyurethane tubes expand when pressure is applied. Reinsertion into the fitting may not be possible. Check the OD of the tube and change the tube if the expansion is serious.
- Always remove by cutting the part of the tube previously inserted into the fitting. Use a proper tube cutter in order to cut the tube.

DISCONNECTION OF THE TUBE FROM THE FITTING

- Make sure the pressure is zero before releasing the tube from the fitting.
- To release the tube, press the release ring regularly at the end and pull the tube with one hand.

CONSTRUCTION MATERIALS



T.E.A.® SURFACE TREATMENT

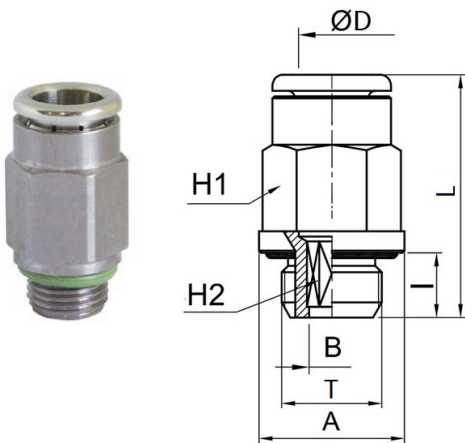
T.E.A.® satisfies the most restrictive international standard limits for nickel transfer applied to human consumption of food like NSF51, NSF4, UNI10531 and 11460 for coffee machines and other "food zone" devices.

T.E.A.® is a patented eco-friendly alloy finishing according to standard NSF51. T.E.A.® is a registered trade mark owned by La Tecnogalvano - RuvecoLab division.



HFC-G

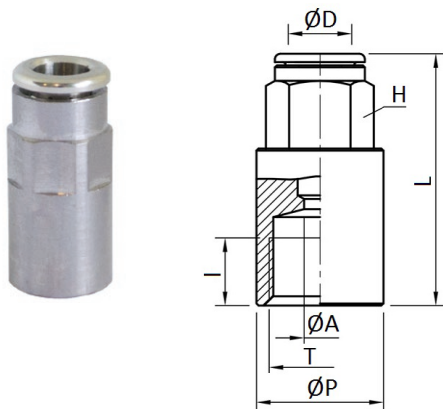
Male connector BSPP & metric with OR



| CODE | $\varnothing D$ | T | I | L | A | B | H1 | H2 | GR. |
|----------|-----------------|-------|-----|------|------|------|----|-----|------|
| HFC04M5 | 4 | M5X1 | 4 | 20 | 9 | 2,5 | / | 2,5 | 6,0 |
| HFC04G01 | 4 | G1/8" | 6 | 20 | 13,5 | 2,5 | 9 | 2,5 | 9,0 |
| HFC04G02 | 4 | G1/4" | 8 | 21 | 16 | 2,5 | 9 | 2,5 | 14,0 |
| HFC06G01 | 6 | G1/8" | 6 | 22,5 | 13,5 | 4,2 | 11 | 4 | 12,0 |
| HFC06G02 | 6 | G1/4" | 8 | 22,5 | 16 | 4,2 | 11 | 4 | 17,0 |
| HFC08G01 | 8 | G1/8" | 6 | 25 | 14,5 | 5,2 | 13 | 5 | 14,0 |
| HFC08G02 | 8 | G1/4" | 8 | 23,5 | 16 | 6,2 | 13 | 6 | 17,0 |
| HFC08G03 | 8 | G3/8" | 8 | 24 | 21 | 6,2 | 13 | 6 | 24,0 |
| HFC10G02 | 10 | G1/4" | 6,5 | 26,5 | 16 | 7,2 | 16 | 7 | 23,0 |
| HFC10G03 | 10 | G3/8" | 7,5 | 28 | 21 | 8,3 | 16 | 8 | 30,0 |
| HFC12G02 | 12 | G1/4" | 6,5 | 30,5 | 18 | 7,2 | 18 | 7 | 27,0 |
| HFC12G03 | 12 | G3/8" | 9 | 31 | 21 | 10,2 | 18 | 10 | 31,0 |
| HFC12G04 | 12 | G1/2" | 11 | 31,5 | 24 | 10,3 | 18 | 10 | 40,0 |

HFCF

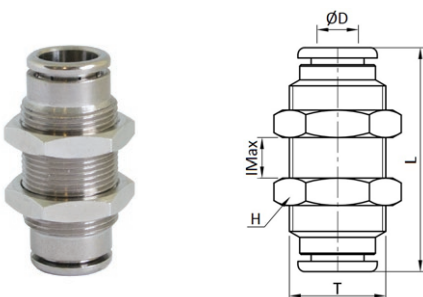
Female connector BSPP



| CODE | $\varnothing D$ | T | $\varnothing A$ | $\varnothing P$ | I | L | H1 | GR. |
|-----------|-----------------|------|-----------------|-----------------|-----|------|----|------|
| HFCF04G01 | 4 | 1/8" | 3 | 12 | 6,5 | 25 | 9 | 12,0 |
| HFCF04G02 | 4 | 1/4" | 3 | 16 | 10 | 28,5 | 9 | 25,0 |
| HFCF06G01 | 6 | 1/8" | 5 | 12 | 6,5 | 25 | 11 | 12,0 |
| HFCF06G02 | 6 | 1/4" | 5 | 16 | 10 | 29,5 | 11 | 22,0 |
| HFCF08G01 | 8 | 1/8" | 7 | 12 | 6,5 | 26 | 13 | 14,0 |
| HFCF08G02 | 8 | 1/4" | 7 | 16 | 10 | 30,5 | 13 | 25,0 |

HFMM

Bulkhead connector

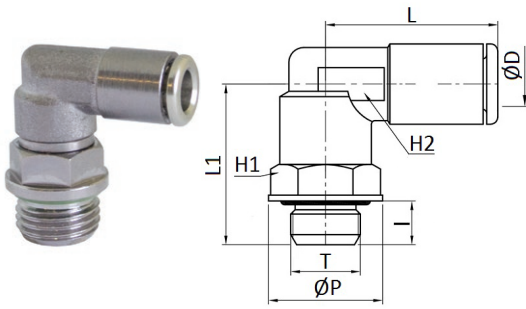


| CODE | $\varnothing D$ | L | T | I MAX | H | GR. |
|----------|-----------------|------|-------|-------|----|------|
| HFMM0400 | 4 | 30,5 | M10X1 | 8 | 13 | 11,0 |
| HFMM0600 | 6 | 31,5 | M14X1 | 8 | 17 | 22,0 |
| HFMM0800 | 8 | 34 | M16X1 | 10 | 18 | 35,0 |



HFL-G

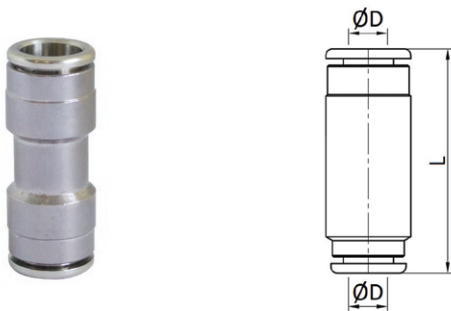
Swivel male elbow BSPP & metric with OR



| CODE | ØD | T | I | ØP | L | L1 | H1 | H2 | GR. |
|----------|----|-------|---|------|------|------|----|----|------|
| HFL04M5 | 4 | M5X1 | 4 | 9 | 18,5 | 16,5 | 9 | 9 | 11,0 |
| HFL04G01 | 4 | G1/8" | 6 | 13 | 20 | 21 | 13 | 10 | 18,0 |
| HFL04G02 | 4 | G1/4" | 8 | 16 | 20 | 25 | 13 | 10 | 24,0 |
| HFL06G01 | 6 | G1/8" | 6 | 13 | 20,5 | 21 | 13 | 10 | 21,0 |
| HFL06G02 | 6 | G1/4" | 8 | 16 | 20,5 | 25 | 13 | 10 | 25,0 |
| HFL08G01 | 8 | G1/8" | 6 | 13 | 22 | 21 | 13 | 10 | 22,0 |
| HFL08G02 | 8 | G1/4" | 8 | 16 | 22 | 25 | 13 | 10 | 26,0 |
| HFL10G02 | 10 | G1/4" | 8 | 16 | 25 | 25,5 | 16 | 14 | 32,0 |
| HFL10G03 | 10 | G3/8" | 9 | 19,8 | 25 | 29,5 | 16 | 14 | 58,0 |

HFUC

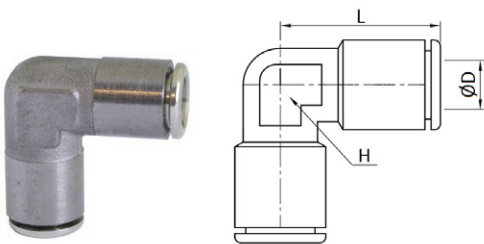
Union connector



| CODE | ØD | L | GR. |
|----------|----|------|------|
| HFUC0400 | 4 | 30,5 | 11,0 |
| HFUC0600 | 6 | 31,5 | 21,0 |
| HFUC0800 | 8 | 34 | 31,0 |
| HFUC1000 | 10 | 36,5 | 33,0 |
| HFUC1200 | 12 | 44 | 46,0 |

HFUL

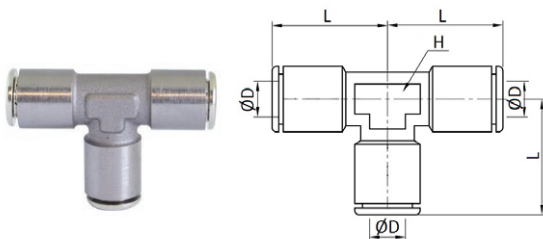
Union elbow



| CODE | ØD | L | H | GR. |
|----------|----|------|----|------|
| HFUL0400 | 4 | 18 | 9 | 10,0 |
| HFUL0600 | 6 | 19,5 | 9 | 14,0 |
| HFUL0800 | 8 | 22,5 | 12 | 20,0 |
| HFUL1000 | 10 | 23,5 | 13 | 26,0 |
| HFUL1200 | 12 | 28 | 17 | 36,0 |

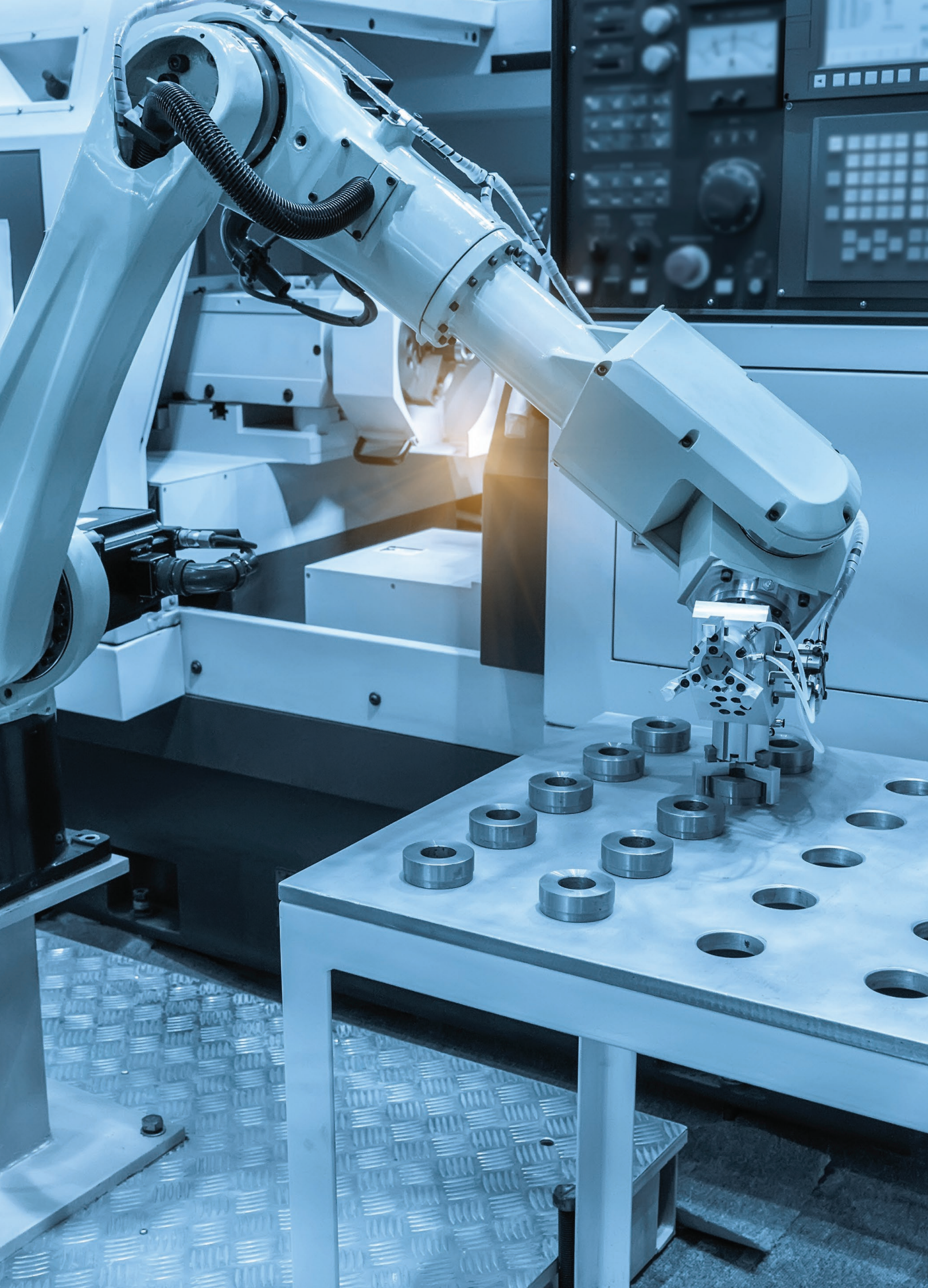
HFUT

Union tee



| CODE | ØD | L | H | GR. |
|----------|----|------|----|------|
| HFUT0400 | 4 | 18 | 9 | 13,0 |
| HFUT0600 | 6 | 19,5 | 9 | 19,0 |
| HFUT0800 | 8 | 22,5 | 12 | 28,0 |
| HFUT1000 | 10 | 23,5 | 13 | 38,0 |
| HFUT1200 | 12 | 28 | 17 | 50,0 |





PLASTIC PUSH-IN FITTINGS FOR HIGH PERFORMANCE

PLUS

SUITABLE FOR CONTACT WITH POTABLE WATER AND FOOD.

STUDIED TO ENSURE A COMPLETE PASSAGE and to keep the characteristics of the fluids unchanged.

DYNAMIC GRIPPING SYSTEM to be used with the food fluids.

EPDM SEALING in order to guarantee a long duration in time.

GREAT CHEMICAL AND MECHANICAL RESISTANCE even at high temperature.

CAN BE USED WITH AIR EVEN AT VERY LOW TEMPERATURES.

SAFETY CLIPS TO AVOID ACCIDENTAL DISCONNECTIONS and for a perfect working even in case of extreme applications.





p. 73 / **HPC-R**



p. 73 / **HPC-G**



p. 74 / **HCF-G**



p. 74 / **HMM**



p. 74 / **HPL-R**



p. 75 / **HRPL-R**



p. 75 / **HRPL-G**



p. 75 / **HRPT-R**



p. 75 / **HRPT-G**



p. 76 / **HRST-R**



p. 76 / **HRST-G**



p. 76 / **HRWT-R**



p. 76 / **HRWT-G**



p. 77 / **HCJ-R**



p. 77 / **HCJ-G**



p. 77 / **HUC**



p. 78 / **HUL**



p. 78 / **HUT**



p. 78 / **HUY**



p. 79 / **HZA**



p. 79 / **HPF**



p. 79 / **HGJ**



p. 80 / **HLJ**



p. 80 / **HCJB**



p. 80 / **HLJB**



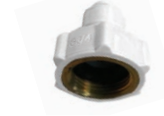
p. 81 / **HPP**



p. 81 / **HCF-UNF**



p. 81 / **HCF-UNS**



p. 82 / **HCF-NH**



p. 82 / **HCBB**

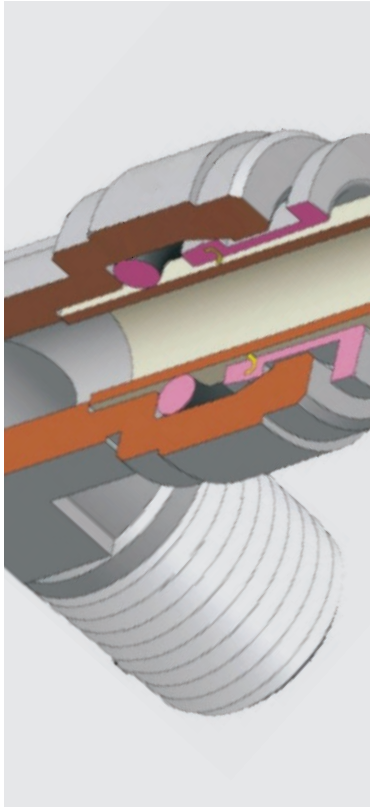


p. 82 / **HCP**



p. 82 / **HUFF**





Dry air: -20°C ÷ 98°
Air & fluids: 1°C ÷ 98°C
 (see the table)



20 Bar - 750 mmHg
 (depending from the tubes and temperature applied)



Water, beverages, vacuum, compressed air, selected gases, liquids and fluids compatible with the construction materials.



Taper gas BSPT ISO 7
 from R1/8" to R1/2"
 Parallel gas BSPP ISO 228
 from G1/8" to G3/4"
 UNF 7/16" - 20
 UNS 7/16" - 24
 NH 3/4



Polyethylene, Polyamide, Polyurethane, PTFE- FEP

Soft metal tubes:

brass, copper and mild steel

Hard metal tubes:

please contact our tecnica department for stainless steel and other hard materials tubes use



Body: POM

Gripping Collet: POM + AISI 301

O-Ring: EPDM suitable for food contact



Products in compliance with the directive 2002/95/EC



RoHS2

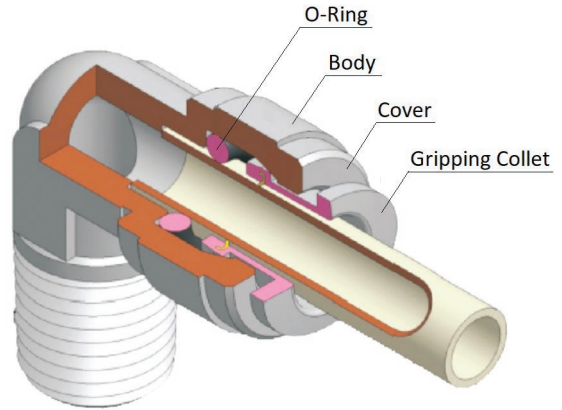
Products in compliance with the directive 2011/65/EU



WORKING PRESSURE AND TEMPERATURE

| Ø / °C | -20 °C | 1 °C* | 25 °C* | 70 °C* | 98 °C* |
|--------|--------------------------------|--------|--------|--------|--------|
| 4 mm | 0 → 8 Bar With dry air only | 20 Bar | 20 Bar | 16 Bar | 10 Bar |
| 6 mm | | 20 Bar | 20 Bar | 16 Bar | 10 Bar |
| 8 mm | | 20 Bar | 20 Bar | 16 Bar | 10 Bar |
| 10 mm | | 16 Bar | 16 Bar | 14 Bar | 10 Bar |
| 12 mm | | 14 Bar | 14 Bar | 8 Bar | 6 Bar |
| 15 mm | | 14 Bar | 14 Bar | 8 Bar | 6 Bar |
| 22 mm | | 14 Bar | 14 Bar | 8 Bar | 6 Bar |

CONSTRUCTION MATERIALS



MAX TORQUE

| THREADS | 1/8 | 1/4 | 3/8 | 1/2 | 3/4 |
|------------|--------|--------|--------|--------|--------|
| MAX TORQUE | 1,5 Nm | 1,5 Nm | 3,0 Nm | 3,0 Nm | 4,0 Nm |



INSERTION OF THE TUBE INTO THE FITTING

- Make sure the tube is fully inserted into the fitting.
- To insert the tube into the fitting cut the tube at a squared angle (90°), insert up to the end and pull gently to make sure it is correctly connected.
- If there are any damages or scratches on the tube surface or an oval shape, air leakage and tube release may occur. Check it carefully.
- The OD of polyurethane tubes expand when pressure is applied. Reinsertion into the fitting may not be possible. Check the OD of the tube and change the tube if the expansion is serious.
- Always remove by cutting the part of the tube previously inserted into the fitting. Use a proper tube cutter in order to cut the tube.

DISCONNECTION OF THE TUBE FROM THE FITTING

- Make sure the pressure is zero before releasing the tube from the fitting.
- To release the tube, press the release ring regularly at the end and pull the tube with one hand.

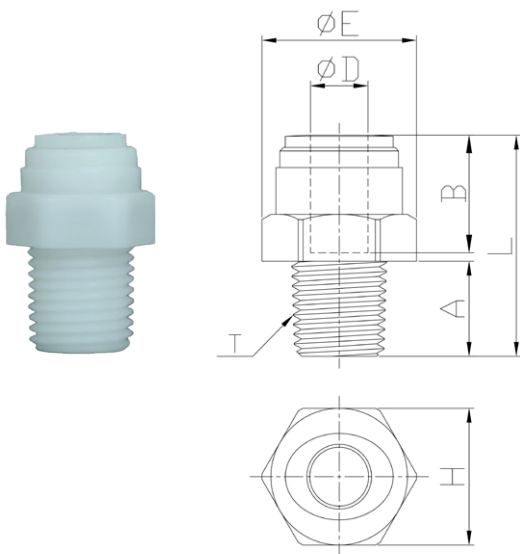
INSERTION TUBE

| DIAMETER TUBES Ø | Ø 4 mm | Ø 6 mm | Ø 8 mm | Ø 10 mm | Ø 12 mm | Ø 15 mm | Ø 22 mm |
|-----------------------------|--------|--------|--------|---------|---------|---------|---------|
| TUBES INSERTION LENGHT (mm) | 14,7 | 16,1 | 17,5 | 20,1 | 24,7 | 29,4 | 33,8 |



HPC-R

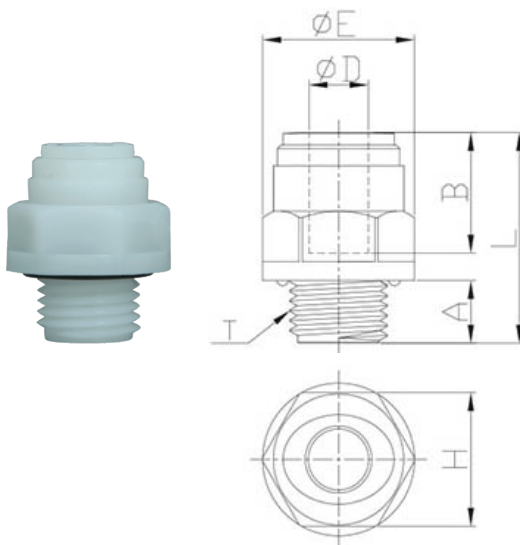
Male connector BSPT



| CODE | ØD | T | A | B | ØE | H | L | GR. |
|-----------|----|-------|------|------|------|----|------|------|
| HPC04R01W | 4 | R1/8" | 9,1 | 14,7 | 18,5 | 17 | 26,0 | 4,1 |
| HPC06R01W | 6 | R1/8" | 9,1 | 16,1 | 18,5 | 17 | 26,2 | 3,9 |
| HPC06R02W | 6 | R1/4" | 13,1 | 16,1 | 18,5 | 17 | 26,7 | 4,2 |
| HPC06R03W | 6 | R3/8" | 13,5 | 16,1 | 21,0 | 19 | 26,6 | 5,9 |
| HPC08R01W | 8 | R1/8" | 9,1 | 17,5 | 21,0 | 19 | 28,1 | 5,2 |
| HPC08R02W | 8 | R1/4" | 13,1 | 17,5 | 21,0 | 19 | 30,6 | 5,8 |
| HPC08R03W | 8 | R3/8" | 13,5 | 17,5 | 21,0 | 19 | 27,0 | 5,7 |
| HPC10R03W | 10 | R3/8" | 13,5 | 20,1 | 23,2 | 21 | 28,8 | 6,7 |
| HPC10R04W | 10 | R1/2" | 16,3 | 20,1 | 24,4 | 22 | 32,1 | 9,6 |
| HPC12R03W | 12 | R3/8" | 13,5 | 24,7 | 26,5 | 24 | 32,2 | 8,9 |
| HPC12R04W | 12 | R1/2" | 16,3 | 24,7 | 26,5 | 24 | 34,3 | 11,0 |

HPC-G

Male connector BSPP

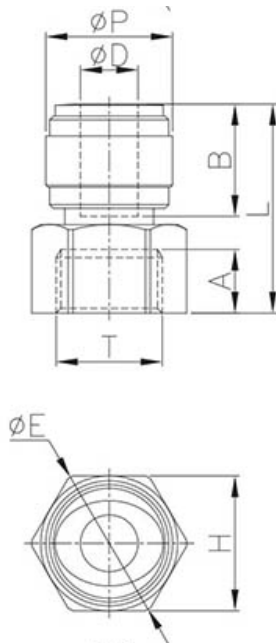


| CODE | ØD | T | A | B | ØE | H | L | GR. |
|-----------|----|-------|------|------|------|----|------|------|
| HPC04G01W | 4 | G1/8" | 6,0 | 14,7 | 16,6 | 15 | 21,9 | 3,3 |
| HPC04G02W | 4 | G1/4" | 8,5 | 14,7 | 20,5 | 18 | 23,9 | 4,9 |
| HPC06G01W | 6 | G1/8" | 6,0 | 16,1 | 16,6 | 15 | 24,1 | 3,3 |
| HPC06G02W | 6 | G1/4" | 8,5 | 16,1 | 20,5 | 18 | 24,1 | 4,8 |
| HPC08G01W | 8 | G1/8" | 6,0 | 17,5 | 18,5 | 17 | 27,0 | 5,2 |
| HPC08G02W | 8 | G1/4" | 8,5 | 17,5 | 20,5 | 18 | 28,5 | 6,1 |
| HPC08G03W | 8 | G3/8" | 9,0 | 17,5 | 24,0 | 21 | 26,5 | 7,0 |
| HPC08G04W | 8 | G1/2" | 12,5 | 17,5 | 28,5 | 26 | 29,5 | 11,9 |
| HPC10G02W | 10 | G1/4" | 8,5 | 20,1 | 21,1 | 19 | 30,8 | 7,2 |
| HPC10G03W | 10 | G3/8" | 9,0 | 20,1 | 24,2 | 21 | 26,3 | 7,0 |
| HPC10G04W | 10 | G1/2" | 12,5 | 20,1 | 28,5 | 26 | 29,8 | 11,3 |
| HPC12G03W | 12 | G3/8" | 9,0 | 24,7 | 27,0 | 24 | 34,2 | 11,6 |
| HPC12G04W | 12 | G1/2" | 12,5 | 24,7 | 28,5 | 26 | 32,7 | 12,4 |
| HPC15G04W | 15 | G1/2" | 12,5 | 29,4 | 28,8 | 26 | 43,4 | 17,0 |
| HPC15G06W | 15 | G3/4" | 14,5 | 29,4 | 39,0 | 33 | 39,0 | 24,5 |
| HPC22G06W | 22 | G3/4" | 14,5 | 33,8 | 37,0 | 33 | 51,0 | 28,2 |



HCF-G

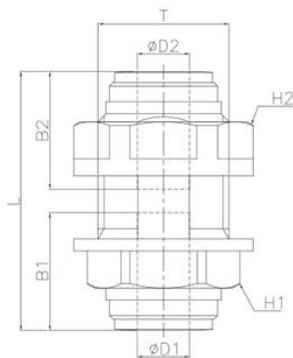
Female adapter BSPP



| CODE | ØD | T | ØP | L | A | B | H | ØE | GR. |
|-----------|----|-------|------|------|------|------|------|------|------|
| HCF04G01W | 4 | G1/8" | 17,6 | 26,9 | 6,0 | 14,7 | 17 | 19,2 | 6,0 |
| HCF06G01W | 6 | G1/8" | 17,6 | 27,1 | 6,0 | 16,1 | 17 | 19,2 | 6,1 |
| HCF06G02W | 6 | G1/4" | 17,6 | 29,1 | 8,5 | 16,1 | 19 | 21,5 | 7,0 |
| HCF06G03W | 6 | G3/8" | 17,6 | 30,6 | 9,0 | 16,1 | 24 | 27,3 | 9,9 |
| HCF08G01W | 8 | G1/8" | 17,6 | 27,5 | 6,0 | 17,5 | 17 | 19,2 | 6,0 |
| HCF08G02W | 8 | G1/4" | 17,6 | 29,5 | 8,5 | 17,5 | 19 | 21,5 | 6,7 |
| HCF08G03W | 8 | G3/8" | 17,6 | 31,0 | 9,0 | 17,5 | 24 | 27,3 | 9,7 |
| HCF08G04W | 8 | G1/2" | 20,0 | 38,0 | 12,5 | 17,5 | 27 | 30,0 | 13,8 |
| HCF08G06W | 8 | G3/4" | 20,0 | 36,6 | 10,0 | 17,5 | 36,7 | 41,6 | 39,2 |
| HCF10G02W | 10 | G1/4" | 23,0 | 34,5 | 8,5 | 20,1 | 19 | 21,5 | 10,8 |
| HCF10G03W | 10 | G3/8" | 23,0 | 37,0 | 9,0 | 20,1 | 24 | 27,3 | 13,7 |
| HCF10G04W | 10 | G1/2" | 20,0 | 38,3 | 12,5 | 20,1 | 27 | 30,0 | 13,3 |
| HCF10G06W | 10 | G3/4" | 20,0 | 36,9 | 10,0 | 20,1 | 36,7 | 41,6 | 38,6 |
| HCF12G02W | 12 | G1/4" | 23,0 | 37,7 | 9,0 | 24,7 | 24 | 27,3 | 13,0 |
| HCF12G03W | 12 | G3/8" | 23,0 | 37,7 | 9,0 | 24,7 | 24 | 27,3 | 13,0 |
| HCF12G04W | 12 | G1/2" | 23,0 | 41,7 | 12,5 | 24,7 | 27 | 30,0 | 15,4 |
| HCF15G06W | 15 | G3/4" | 28,0 | 45,4 | 12,0 | 29,4 | 33 | 37,0 | 25,1 |

HMM

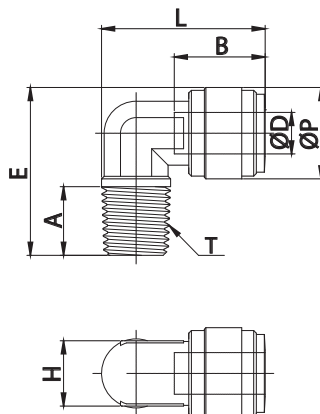
Bulkhead connector



| CODE | ØD1 | ØD2 | T | L | B1 | B2 | H1 | H2 | GR. |
|----------|-----|-----|-----------|------|------|------|----|------|------|
| HMM0404W | 4 | 4 | M15X1,5P | 32,4 | 14,7 | 14,7 | 17 | 18 | 6,9 |
| HMM0604W | 6 | 4 | M17X1,5P | 35,5 | 16,1 | 16,1 | 19 | 21 | 9,8 |
| HMM0606W | 6 | 6 | M17X1,5P | 35,7 | 16,1 | 16,1 | 19 | 21 | 9,6 |
| HMM0806W | 8 | 6 | M20X1,75P | 38,1 | 17,5 | 17,5 | 21 | 25,5 | 14,3 |
| HMM0808W | 8 | 8 | M20X1,75P | 38,5 | 17,5 | 17,5 | 21 | 25,5 | 14,0 |
| HMM1010W | 10 | 10 | M24X1,75P | 42,2 | 20,1 | 20,1 | 24 | 28,5 | 19,5 |
| HMM1212W | 12 | 12 | M27X2,0P | 51,4 | 24,7 | 24,7 | 27 | 31 | 28,2 |

HPL-R

Male elbow BSPT

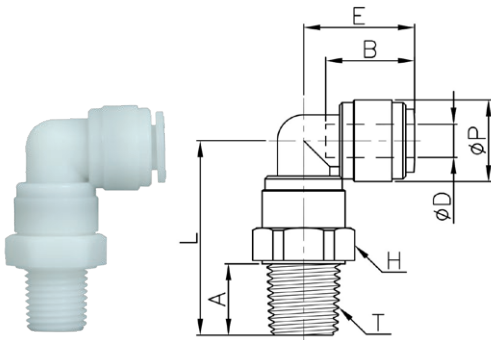


| CODE | ØD | T | ØP | A | B | E | H | L | GR. |
|-----------|----|-------|------|------|------|------|------|------|------|
| HPL04R01W | 4 | R1/8" | 15,0 | 9,1 | 14,7 | 25,6 | 10 | 25,2 | 4,2 |
| HPL06R01W | 6 | R1/8" | 15,0 | 9,1 | 16,1 | 25,6 | 10 | 25,4 | 4,1 |
| HPL06R02W | 6 | R1/4" | 15,0 | 13,1 | 16,1 | 30,6 | 10 | 27,0 | 5,1 |
| HPL06R03W | 6 | R3/8" | 17,6 | 13,5 | 16,1 | 32,6 | 13 | 33,1 | 8,4 |
| HPL08R02W | 8 | R1/4" | 17,6 | 13,1 | 17,5 | 32,2 | 13 | 31,5 | 7,0 |
| HPL08R03W | 8 | R3/8" | 17,6 | 13,5 | 17,5 | 32,6 | 13 | 33,5 | 8,0 |
| HPL10R02W | 10 | R1/4" | 23,6 | 13,1 | 20,1 | 38,3 | 17 | 37,5 | 14,1 |
| HPL10R03W | 10 | R3/8" | 20,0 | 13,5 | 20,1 | 35,7 | 14 | 33,9 | 9,2 |
| HPL12R02W | 12 | R1/4" | 23,6 | 13,1 | 24,7 | 38,3 | 17 | 38,2 | 13,1 |
| HPL12R03W | 12 | R3/8" | 23,0 | 13,5 | 24,7 | 38,3 | 17,0 | 38,4 | 13,2 |
| HPL12R04W | 12 | R1/2" | 23,0 | 16,3 | 24,7 | 41,4 | 17,7 | 40,7 | 15,6 |



HRPL-R

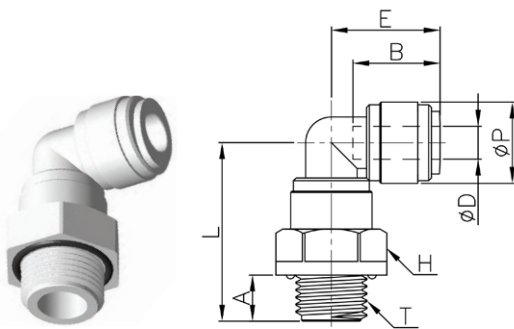
Male swivel elbow BSPT



| CODE | ØD | T | ØP | A | B | E | H | L | GR. |
|------------|----|-------|------|------|------|------|----|------|------|
| HRPL06R01W | 6 | R1/8" | 15,0 | 9,1 | 16,1 | 20,1 | 17 | 31,7 | 7,2 |
| HRPL06R01W | 6 | R1/4" | 15,0 | 13,1 | 16,1 | 20,1 | 17 | 35,7 | 8,0 |
| HRPL08R01W | 8 | R1/8" | 17,6 | 9,1 | 17,5 | 21,9 | 19 | 33,4 | 9,9 |
| HRPL08R02W | 8 | R1/4" | 17,6 | 13,1 | 17,5 | 21,9 | 19 | 37,4 | 10,7 |
| HRPL08R03W | 8 | R3/8" | 17,6 | 13,5 | 17,5 | 21,9 | 19 | 37,8 | 11,4 |
| HRPL10R03W | 10 | R3/8" | 20,0 | 13,5 | 20,1 | 25,8 | 21 | 41,8 | 15,4 |

HRPL-G

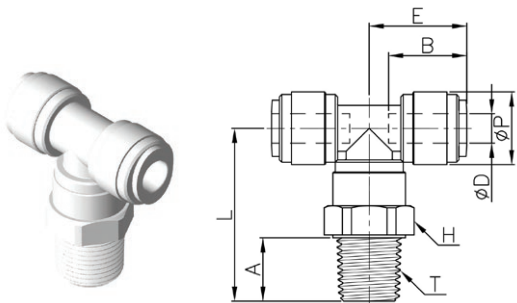
Male swivel elbow BSPP



| CODE | ØD | T | ØP | A | B | E | H | L | GR. |
|------------|----|-------|------|------|------|------|------|------|------|
| HRPL08G01W | 8 | G1/8" | 17,6 | 6,0 | 17,5 | 21,9 | 18,0 | 31,9 | 10,4 |
| HRPL08G02W | 8 | G1/4" | 17,6 | 8,5 | 17,5 | 21,9 | 18,0 | 34,4 | 11,0 |
| HRPL08G03W | 8 | G3/8" | 17,6 | 9,0 | 17,5 | 21,9 | 22,0 | 34,9 | 12,8 |
| HRPL10G02W | 10 | G1/4" | 20,0 | 8,5 | 20,1 | 25,8 | 22,0 | 38,0 | 15,4 |
| HRPL10G03W | 10 | G3/8" | 20,0 | 9,0 | 20,1 | 25,8 | 22,0 | 38,5 | 15,8 |
| HRPL10G04W | 10 | G1/2" | 20,0 | 12,5 | 20,1 | 25,8 | 26,0 | 42,0 | 19,1 |
| HRPL12G03W | 12 | G3/8" | 23,0 | 9,0 | 24,7 | 31,7 | 26,0 | 43,7 | 23,2 |

HRPT-R

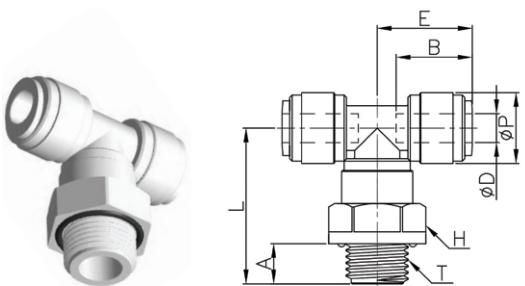
Male swivel tee BSPT



| CODE | ØD | T | ØP | A | B | E | H | L | GR. |
|------------|----|-------|------|------|------|------|------|------|------|
| HRPT06R01W | 6 | R1/8" | 15,0 | 9,1 | 16,1 | 20,1 | 17,0 | 31,7 | 9,3 |
| HRPT06R02W | 6 | R1/4" | 15,0 | 13,1 | 16,1 | 20,1 | 17,0 | 35,7 | 10,3 |
| HRPT08R01W | 8 | R1/8" | 17,6 | 9,1 | 17,5 | 21,9 | 19,0 | 33,4 | 13,1 |
| HRPT08R02W | 8 | R1/4" | 17,6 | 13,1 | 17,5 | 21,9 | 19,0 | 37,4 | 14,0 |
| HRPT08R03W | 8 | R3/8" | 17,6 | 13,5 | 17,5 | 21,9 | 19,0 | 37,8 | 14,6 |
| HRPT10R03W | 10 | R3/8" | 20,0 | 13,5 | 20,1 | 25,8 | 21,0 | 41,8 | 19,4 |

HRPT-G

Male swivel tee BSPP

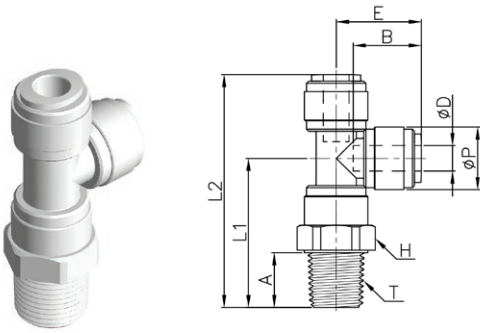


| CODE | ØD | T | ØP | A | B | E | H | L | GR. |
|------------|----|-------|------|------|------|------|----|------|------|
| HRPT08G01W | 8 | G1/8" | 17,6 | 6,0 | 17,5 | 21,9 | 18 | 31,9 | 13,4 |
| HRPT08G02W | 8 | G1/4" | 17,6 | 8,5 | 17,5 | 21,9 | 18 | 34,4 | 14,0 |
| HRPT08G03W | 8 | G3/8" | 17,6 | 9,0 | 17,5 | 21,9 | 22 | 34,9 | 15,8 |
| HRPT10G02W | 10 | G1/4" | 20,0 | 8,5 | 20,1 | 25,8 | 22 | 38,0 | 19,8 |
| HRPT10G03W | 10 | G3/8" | 20,0 | 9,0 | 20,1 | 25,8 | 22 | 38,5 | 20,2 |
| HRPT10G04W | 10 | G1/2" | 20,0 | 12,5 | 20,1 | 25,8 | 26 | 42,0 | 29,5 |
| HRPT12G03W | 12 | G3/8" | 23,0 | 9,0 | 24,7 | 31,7 | 26 | 43,7 | 30,0 |



HRST-R

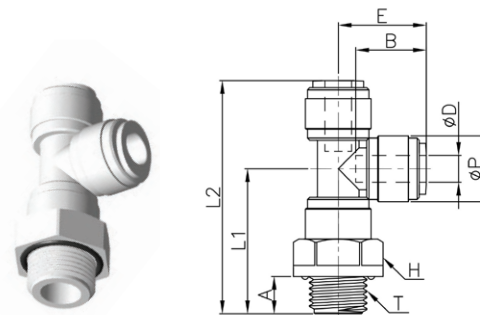
Male swivel run tee BSPT



| CODE | ØD | T | ØP | A | B | E | H | L1 | L2 | GR. |
|------------|----|-------|------|------|------|------|----|------|------|------|
| HRST06R01W | 6 | R1/8" | 15,0 | 9,1 | 16,1 | 20,1 | 17 | 31,7 | 51,8 | 9,3 |
| HRST06R02W | 6 | R1/4" | 15,0 | 13,1 | 16,1 | 20,1 | 17 | 35,7 | 55,8 | 10,2 |
| HRST08R01W | 8 | R1/8" | 17,6 | 9,1 | 17,5 | 21,9 | 19 | 33,4 | 55,3 | 13,1 |
| HRST08R02W | 8 | R1/4" | 17,6 | 13,1 | 17,5 | 21,9 | 19 | 37,4 | 59,3 | 14,2 |
| HRST08R03W | 8 | R3/8" | 17,6 | 13,5 | 17,5 | 21,9 | 19 | 37,8 | 59,7 | 14,6 |
| HRST10R03W | 10 | R3/8" | 20,0 | 13,5 | 20,1 | 25,8 | 21 | 41,8 | 67,6 | 19,4 |

HRST-G

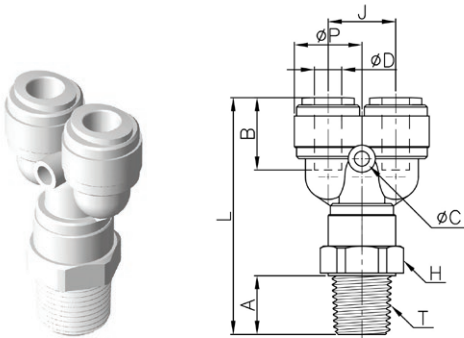
Male swivel run tee BSPP



| CODE | ØD | T | ØP | A | B | E | H | L1 | L2 | GR. |
|------------|----|-------|------|------|------|------|------|------|------|------|
| HRST08G01W | 8 | G1/8" | 17,6 | 6,0 | 17,5 | 21,9 | 18,0 | 31,9 | 53,8 | 13,4 |
| HRST08G02W | 8 | G1/4" | 17,6 | 8,5 | 17,5 | 21,9 | 18,0 | 34,4 | 56,3 | 14,0 |
| HRST08G03W | 8 | G3/8" | 17,6 | 9,0 | 17,5 | 21,9 | 22,0 | 34,9 | 56,8 | 15,8 |
| HRST10G02W | 10 | G1/4" | 20,0 | 8,5 | 20,1 | 25,8 | 22,0 | 38,0 | 63,8 | 19,8 |
| HRST10G03W | 10 | G3/8" | 20,0 | 9,0 | 20,1 | 25,8 | 22,0 | 38,5 | 64,3 | 20,2 |
| HRST10G04W | 10 | G1/2" | 20,0 | 12,5 | 20,1 | 25,8 | 26,0 | 42,0 | 67,8 | 29,5 |
| HRST12G03W | 12 | G3/8" | 23,0 | 9,0 | 24,7 | 31,7 | 26,0 | 43,7 | 75,4 | 30,0 |

HRWT-R

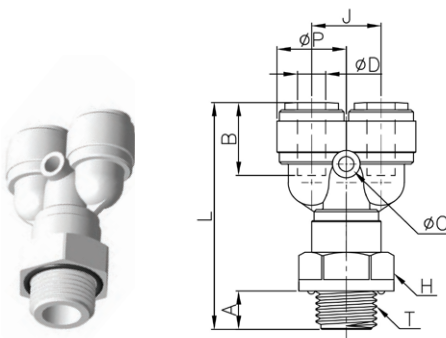
Male swivel Y BSPT



| CODE | ØD | T | ØP | A | B | J | H | L | ØC | GR. |
|------------|----|-------|------|------|------|------|------|------|-----|------|
| HRWT06R01W | 6 | R1/8" | 15,5 | 9,1 | 16,1 | 15,5 | 17,0 | 50,4 | 3,3 | 11,6 |
| HRWT06R02W | 6 | R1/4" | 15,5 | 13,1 | 16,1 | 15,5 | 17,0 | 54,4 | 3,3 | 12,5 |
| HRWT08R01W | 8 | R1/8" | 17,6 | 9,1 | 17,5 | 17,6 | 19,0 | 52,5 | 4,5 | 14,0 |
| HRWT08R02W | 8 | R1/4" | 17,6 | 13,1 | 17,5 | 17,6 | 19,0 | 56,5 | 4,5 | 14,9 |
| HRWT08R03W | 8 | R3/8" | 17,6 | 13,5 | 17,5 | 17,6 | 19,0 | 56,9 | 4,5 | 15,5 |
| HRWT10R03W | 10 | R3/8" | 20,0 | 13,5 | 20,1 | 20,0 | 21,0 | 62,2 | 4,5 | 20,1 |

HRWT-G

Male swivel Y BSPP

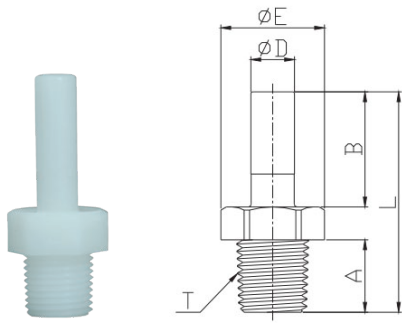


| CODE | ØD | T | ØP | A | B | J | H | L | ØC | GR. |
|------------|----|-------|------|------|------|------|------|------|-----|------|
| HRWT08G01W | 8 | G1/8" | 17,6 | 6,0 | 17,5 | 17,6 | 18,0 | 51,0 | 4,5 | 13,9 |
| HRWT08G02W | 8 | G1/4" | 17,6 | 8,5 | 17,5 | 17,6 | 18,0 | 53,5 | 4,5 | 15,1 |
| HRWT08G03W | 8 | G3/8" | 17,6 | 9,0 | 17,5 | 17,6 | 22,0 | 54,0 | 4,5 | 16,8 |
| HRWT10G02W | 10 | G1/4" | 20,0 | 8,5 | 20,1 | 20,0 | 22,0 | 58,4 | 4,5 | 20,2 |
| HRWT10G03W | 10 | G3/8" | 20,0 | 9,0 | 20,1 | 20,0 | 22,0 | 58,9 | 4,5 | 21,6 |
| HRWT10G04W | 10 | G1/2" | 20,0 | 12,5 | 20,1 | 20,0 | 26,0 | 62,4 | 4,5 | 24,9 |
| HRWT12G03W | 12 | G3/8" | 23,0 | 9,0 | 24,7 | 23,0 | 26,0 | 68,4 | 4,5 | 33,1 |



HCJ-R

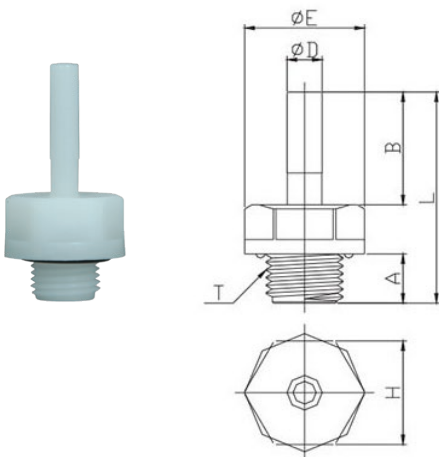
Stem adapter BSPT



| CODE | ØD | T | A | B | ØE | H | L | GR. |
|-----------|----|-------|------|------|------|----|------|------|
| HCJ04R01W | 4 | R1/8" | 9,1 | 18,0 | 14,4 | 13 | 33,1 | 1,8 |
| HCJ04R02W | 4 | R1/4" | 13,1 | 18,0 | 18,5 | 17 | 37,1 | 3,5 |
| HCJ06R01W | 6 | R1/8" | 9,1 | 19,5 | 14,4 | 13 | 34,6 | 2,0 |
| HCJ06R02W | 6 | R1/4" | 13,1 | 19,5 | 18,5 | 17 | 38,6 | 3,7 |
| HCJ08R01W | 8 | R1/8" | 9,1 | 21,0 | 14,4 | 13 | 36,1 | 2,2 |
| HCJ08R02W | 8 | R1/4" | 13,1 | 21,0 | 18,5 | 17 | 40,1 | 3,8 |
| HCJ08R03W | 8 | R3/8" | 13,5 | 21,0 | 23,0 | 21 | 40,5 | 5,3 |
| HCJ10R02W | 10 | R1/4" | 13,1 | 24,0 | 18,5 | 17 | 43,1 | 4,5 |
| HCJ10R03W | 10 | R3/8" | 13,5 | 24,0 | 23,0 | 21 | 44,0 | 6,1 |
| HCJ10R04W | 10 | R1/2" | 16,5 | 24,0 | 26,5 | 24 | 47,0 | 9,7 |
| HCJ12R03W | 12 | R3/8" | 13,5 | 28,0 | 23,0 | 21 | 48,0 | 6,8 |
| HCJ12R04W | 12 | R1/2" | 16,5 | 28,0 | 26,5 | 24 | 51,0 | 10,2 |

HCJ-G

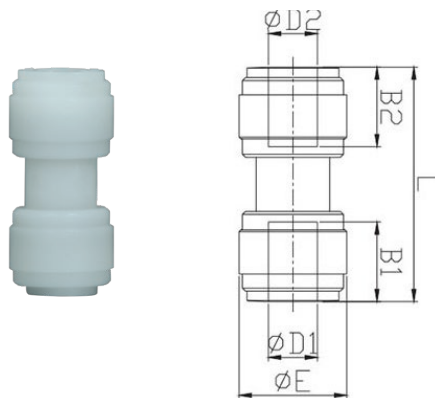
Stem adapter BSPP



| CODE | ØD | T | A | B | ØE | H | L | GR. |
|-----------|----|-------|------|------|------|----|------|------|
| HCJ04G01W | 4 | G1/8" | 6,0 | 18,0 | 16,6 | 15 | 32,5 | 2,7 |
| HCJ04G02W | 4 | G1/4" | 8,5 | 18,0 | 20,5 | 18 | 35,0 | 4,2 |
| HCJ06G01W | 6 | G1/8" | 6,0 | 19,5 | 16,6 | 15 | 34,0 | 2,8 |
| HCJ06G02W | 6 | G1/4" | 8,5 | 19,5 | 20,5 | 18 | 36,5 | 4,3 |
| HCJ08G01W | 8 | G1/8" | 6,0 | 21,0 | 16,6 | 15 | 35,5 | 3,0 |
| HCJ08G02W | 8 | G1/4" | 8,5 | 21,0 | 20,5 | 18 | 38,0 | 4,6 |
| HCJ08G03W | 8 | G3/8" | 9,0 | 21,0 | 24,2 | 22 | 38,5 | 6,2 |
| HCJ10G02W | 10 | G1/4" | 8,5 | 24,0 | 20,5 | 18 | 41,0 | 5,2 |
| HCJ10G03W | 10 | G3/8" | 9,0 | 24,0 | 24,2 | 22 | 41,5 | 6,8 |
| HCJ10G04W | 10 | G1/2" | 12,5 | 24,0 | 28,5 | 26 | 45,0 | 10,7 |
| HCJ12G03W | 12 | G3/8" | 9,0 | 28,0 | 24,2 | 22 | 45,5 | 7,3 |
| HCJ12G04W | 12 | G1/2" | 12,5 | 28,0 | 28,5 | 26 | 49,0 | 11,2 |
| HCJ15G04W | 15 | G1/2" | 12,5 | 36,0 | 28,8 | 26 | 57,0 | 13,8 |

HUC

Union connector

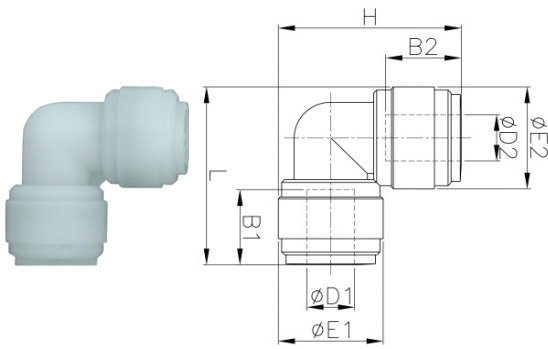


| CODE | ØD1 | ØD2 | B1 | B2 | ØE | L | GR. |
|----------|-----|-----|------|------|------|------|------|
| HUC0404W | 4 | 4 | 14,7 | 14,7 | 13,2 | 31,8 | 3,8 |
| HUC0606W | 6 | 6 | 16,1 | 16,1 | 15,0 | 35,2 | 4,7 |
| HUC0808W | 8 | 8 | 17,5 | 17,5 | 17,6 | 38,2 | 6,9 |
| HUC1010W | 10 | 10 | 20,1 | 20,1 | 20,0 | 42,7 | 9,2 |
| HUC1212W | 12 | 12 | 24,7 | 24,7 | 23,0 | 52,4 | 14,4 |
| HUC1515W | 15 | 15 | 29,4 | 29,4 | 28,0 | 61,8 | 23,4 |
| HUC2222W | 22 | 22 | 33,8 | 33,8 | 35,5 | 70,6 | 37,7 |
| HUC0604W | 6 | 4 | 16,1 | 14,7 | 15,0 | 35,0 | 5,0 |
| HUC0605W | 6 | 5 | 16,1 | 14,9 | 15,0 | 35,1 | 5,0 |
| HUC0806W | 8 | 6 | 17,5 | 16,1 | 17,6 | 37,8 | 7,1 |
| HUC1006W | 10 | 6 | 20,1 | 16,1 | 20,0 | 42,0 | 9,8 |
| HUC1008W | 10 | 8 | 20,1 | 17,5 | 20,0 | 42,4 | 9,6 |
| HUC1210W | 12 | 10 | 24,7 | 20,1 | 23,0 | 51,7 | 15,0 |



HUL

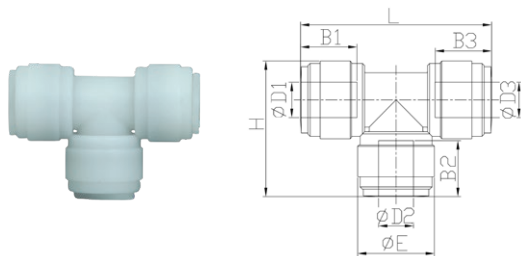
Union elbow



| CODE | ØD1 | ØD2 | B1 | B2 | ØE1 | ØE2 | L | H | GR. |
|----------|-----|-----|------|------|------|------|------|------|------|
| HUL0404W | 4 | 4 | 14,7 | 14,7 | 13,2 | 13,2 | 24,5 | 24,5 | 3,9 |
| HUL0606W | 6 | 6 | 16,1 | 16,1 | 15,0 | 15,0 | 27,6 | 27,6 | 5,1 |
| HUL0808W | 8 | 8 | 17,5 | 17,5 | 17,6 | 17,6 | 30,7 | 30,7 | 7,6 |
| HUL1010W | 10 | 10 | 20,1 | 20,1 | 20,0 | 20,0 | 35,8 | 35,8 | 10,2 |
| HUL1212W | 12 | 12 | 24,7 | 24,7 | 23,0 | 23,0 | 43,2 | 43,2 | 16,4 |
| HUL1515W | 15 | 15 | 29,4 | 29,4 | 28,0 | 28,0 | 52,2 | 52,2 | 27,4 |
| HUL2222W | 22 | 22 | 33,8 | 33,8 | 35,5 | 35,5 | 63,9 | 63,9 | 46,8 |
| | | | | | | | | | |
| HUL0804W | 8 | 4 | 17,5 | 14,7 | 17,6 | 13,2 | 28,3 | 29,7 | 5,9 |
| HUL0806W | 8 | 6 | 17,5 | 16,1 | 17,6 | 17,6 | 30,7 | 30,3 | 7,7 |
| HUL1006W | 10 | 6 | 20,1 | 16,1 | 23,0 | 17,6 | 37,8 | 36,1 | 12,6 |
| HUL1008W | 10 | 8 | 20,1 | 17,5 | 20,0 | 20,0 | 35,8 | 35,5 | 10,2 |
| HUL1206W | 12 | 6 | 24,7 | 16,1 | 23,0 | 17,6 | 38,5 | 36,1 | 12,0 |
| HUL1208W | 12 | 8 | 24,7 | 17,5 | 23,0 | 17,6 | 38,5 | 36,5 | 11,9 |
| HUL1210W | 12 | 10 | 24,7 | 20,1 | 23,0 | 23,0 | 43,2 | 42,5 | 17,3 |

HUT

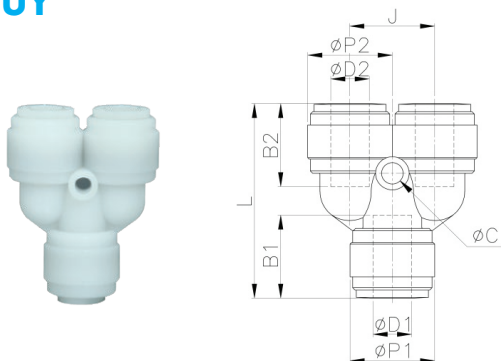
Union tee



| CODE | ØD1 | ØD2 | ØD3 | B1 | B2 | B3 | ØE | H | L | GR. |
|------------|-----|-----|-----|------|------|------|------|------|------|------|
| HUT0404W | 4 | 4 | 4 | 14,7 | 14,7 | 14,7 | 13,2 | 24,5 | 35,8 | 5,8 |
| HUT0606W | 6 | 6 | 6 | 16,1 | 16,1 | 16,1 | 15,0 | 27,6 | 40,2 | 7,3 |
| HUT0808W | 8 | 8 | 8 | 17,5 | 17,5 | 17,5 | 17,6 | 30,7 | 43,8 | 10,6 |
| HUT1010W | 10 | 10 | 10 | 20,1 | 20,1 | 20,1 | 20,0 | 35,8 | 51,6 | 14,6 |
| HUT1212W | 12 | 12 | 12 | 24,7 | 24,7 | 24,7 | 23,0 | 43,2 | 63,4 | 23,2 |
| HUT1515W | 15 | 15 | 15 | 29,4 | 29,4 | 29,4 | 28,0 | 52,2 | 76,4 | 38,2 |
| HUT2222W | 22 | 22 | 22 | 33,8 | 33,8 | 33,8 | 35,5 | 63,9 | 92,3 | 64,0 |
| | | | | | | | | | | |
| HUT100610W | 10 | 6 | 10 | 20,1 | 16,1 | 20,1 | 15,0 | 35,1 | 51,6 | 15,3 |
| HUT100806W | 10 | 8 | 6 | 20,1 | 17,5 | 16,1 | 17,6 | 35,1 | 51,3 | 15,6 |
| HUT121012W | 12 | 10 | 12 | 24,7 | 20,1 | 24,7 | 20,0 | 42,5 | 63,4 | 24,2 |
| HUT221222W | 22 | 12 | 22 | 33,8 | 24,7 | 33,8 | 23,0 | 55,8 | 83,0 | 50,3 |
| HUT221522W | 22 | 15 | 22 | 33,8 | 29,4 | 33,8 | 28,0 | 61,0 | 87,0 | 57,1 |

HUY

Union Y

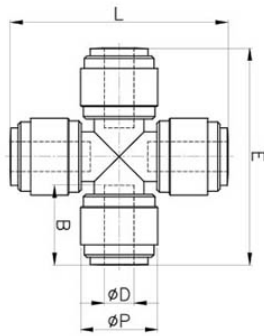
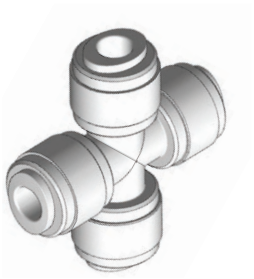


| CODE | ØD1 | ØD2 | B1 | B2 | ØP1 | ØP2 | L | J | ØC | GR. |
|----------|-----|-----|------|------|------|------|------|------|-----|------|
| HUY0404W | 4 | 4 | 14,7 | 14,7 | 13,8 | 13,8 | 33,7 | 13,5 | 3,3 | 6,7 |
| HUY0606W | 6 | 6 | 16,1 | 16,1 | 15,5 | 15,5 | 38,8 | 15,5 | 3,3 | 9,2 |
| HUY0808W | 8 | 8 | 17,5 | 17,5 | 17,6 | 17,6 | 41,0 | 17,6 | 4,5 | 11,6 |
| HUY1010W | 10 | 10 | 20,1 | 20,1 | 20,0 | 20,0 | 46,2 | 20,0 | 4,5 | 16,0 |
| HUY1212W | 12 | 12 | 24,7 | 24,7 | 23,0 | 23,0 | 56,4 | 23,0 | 4,5 | 26,3 |
| | | | | | | | | | | |
| HUY1008W | 10 | 8 | 20,1 | 17,5 | 20,0 | 20,0 | 45,9 | 20,0 | 4,5 | 16,8 |



HZA

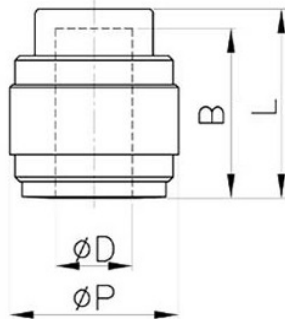
Cross junction



| CODE | ØD | ØP | L | E | B | GR. |
|----------|----|------|------|------|------|-----|
| HZA0606W | 6 | 15,5 | 43,8 | 43,8 | 16,1 | 9,7 |

HPF

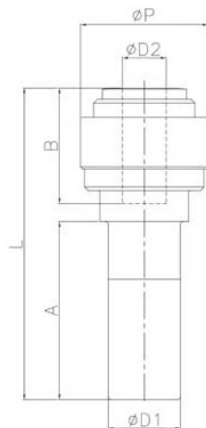
Female plug



| CODE | ØD | ØP | L | B | GR. |
|--------|----|------|------|------|------|
| HPF06W | 6 | 15,5 | 18,9 | 16,1 | 2,8 |
| HPF08W | 8 | 17,6 | 19,5 | 17,5 | 3,6 |
| HPF10W | 10 | 20,0 | 22,1 | 20,1 | 4,7 |
| HPF12W | 12 | 23,0 | 26,7 | 24,7 | 7,3 |
| HPF15W | 15 | 28,0 | 32,1 | 29,4 | 12,6 |
| HPF22W | 22 | 35,5 | 36,6 | 33,8 | 20,6 |

HGJ

Reducer

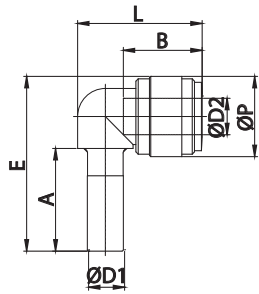


| CODE | ØD1 | ØD2 | ØP | L | A | B | GR. |
|----------|-----|-----|------|------|------|------|------|
| HGJ0604W | 6 | 4 | 13,2 | 36,7 | 21,0 | 14,7 | 2,4 |
| HGJ0804W | 8 | 4 | 15,5 | 40,4 | 22,5 | 14,7 | 3,7 |
| HGJ0806W | 8 | 6 | 15,5 | 40,6 | 22,5 | 16,1 | 3,5 |
| HGJ0810W | 8 | 10 | 20,0 | 44,9 | 22,5 | 20,1 | 5,4 |
| HGJ1006W | 10 | 6 | 17,6 | 43,4 | 24,8 | 16,1 | 5,2 |
| HGJ1008W | 10 | 8 | 17,6 | 43,8 | 24,8 | 17,5 | 5,1 |
| HGJ1208W | 12 | 8 | 20,0 | 51,3 | 29,5 | 17,5 | 7,3 |
| HGJ1210W | 12 | 10 | 20,0 | 51,6 | 29,5 | 20,1 | 6,9 |
| HGJ1510W | 15 | 10 | 20,0 | 61,0 | 35,0 | 20,1 | 12,0 |
| HGJ1512W | 15 | 12 | 23,6 | 61,7 | 35,0 | 24,7 | 11,3 |



HLJ

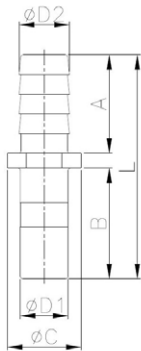
Union elbow tube with stem



| CODE | ØD1 | ØD2 | ØP | A | B | E | L | GR. |
|----------|-----|-----|------|------|------|------|------|------|
| HLJ0404W | 4 | 4 | 13,2 | 18,0 | 14,7 | 30,1 | 21,9 | 2,5 |
| HLJ0606W | 6 | 6 | 15,5 | 21,0 | 16,1 | 34,8 | 25,1 | 3,7 |
| HLJ0808W | 8 | 8 | 17,6 | 22,5 | 17,5 | 38,3 | 27,7 | 5,3 |
| HLJ1010W | 10 | 10 | 20,0 | 24,8 | 20,1 | 43,2 | 31,3 | 7,4 |
| HLJ1212W | 12 | 12 | 23,6 | 29,5 | 24,7 | 51,2 | 39,0 | 12,6 |
| HLJ1515W | 15 | 15 | 28,0 | 35,0 | 29,4 | 61,3 | 48,5 | 21,7 |
| HLJ0608W | 6 | 8 | 17,6 | 21,0 | 17,5 | 36,8 | 26,0 | 4,7 |
| HLJ1006W | 10 | 6 | 20,0 | 24,8 | 16,1 | 43,2 | 30,6 | 7,8 |
| HLJ1008W | 10 | 8 | 20,0 | 24,8 | 17,5 | 43,2 | 31,0 | 8,2 |

HCJB

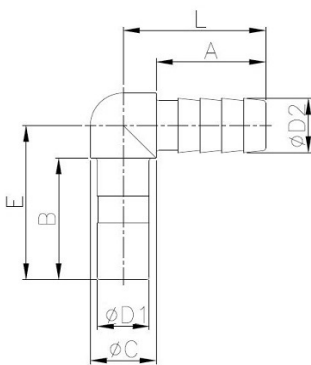
Tube barb connector



| CODE | ØD1 | ØD2 | ØC | L | A | B | GR. |
|-----------|-----|-----|------|------|------|------|-----|
| HCJB0604W | 6 | 4 | 11,4 | 38,2 | 18,0 | 17,2 | - |
| HCJB0606W | 6 | 6 | 11,4 | 38,2 | 18,0 | 17,2 | - |
| HCJB0806W | 8 | 6 | 12,2 | 40,0 | 18,0 | 19,0 | - |
| HCJB1006W | 10 | 6 | 14,7 | 43,5 | 18,0 | 22,5 | 2,1 |
| HCJB1008W | 10 | 8 | 14,7 | 43,5 | 18,0 | 22,5 | 2,3 |

HLJB

Elbow tube barb connector

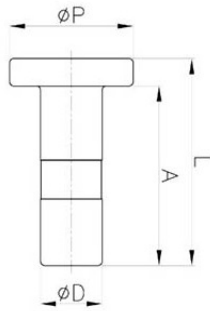


| CODE | ØD1 | ØD2 | ØC | L | E | A | B | GR. |
|-----------|-----|-----|------|------|------|------|------|-----|
| HLJB1006W | 10 | 6 | 12,0 | 24,0 | 28,5 | 18,0 | 22,5 | 3,2 |
| HLJB1008W | 10 | 8 | 12,0 | 24,0 | 28,5 | 18,0 | 22,5 | 3,4 |



HPP

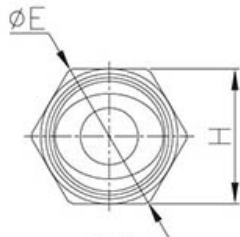
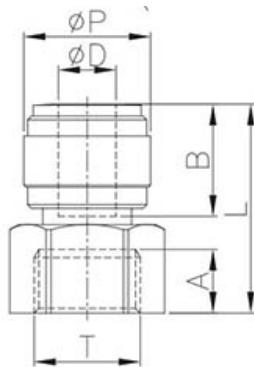
Male plug



| CODE | ØD | ØP | L | A | GR. |
|--------|----|----|------|------|------|
| HPP04W | 4 | 13 | 22,5 | 19,0 | 0,8 |
| HPP06W | 6 | 13 | 24,5 | 21,0 | 1,1 |
| HPP08W | 8 | 16 | 26,5 | 23,0 | 1,8 |
| HPP10W | 10 | 18 | 30,0 | 26,0 | 2,7 |
| HPP12W | 12 | 21 | 34,0 | 30,0 | 4,0 |
| HPP15W | 15 | 25 | 40,0 | 36,0 | 6,4 |
| HPP22W | 22 | 33 | 45,5 | 41,0 | 12,2 |

HCF-UNF

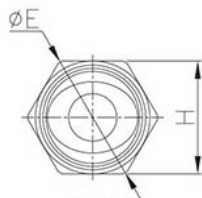
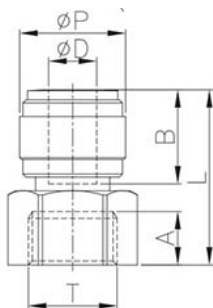
Female adapter UNF



| CODE | ØD | T (UNF) | ØP | L | A | B | H | ØE | GR. |
|-------------------|----|---------|------|------|-----|------|----|----|-----|
| HCF06-UNF7/16-20W | 6 | 7/16-20 | 17,6 | 30,1 | 9,5 | 16,1 | 17 | 19 | 6,5 |
| HCF08-UNF7/16-20W | 8 | 7/16-20 | 17,6 | 30,5 | 9,5 | 17,5 | 17 | 19 | 6,5 |
| HCF10-UNF7/16-20W | 10 | 7/16-20 | 20,0 | 33,1 | 9,5 | 20,1 | 17 | 19 | 7,5 |

HCF-UNS

Female adapter UNS



| CODE | ØD | T (UNF) | ØP | L | A | B | H | ØE | GR. |
|-------------------|----|---------|------|------|-----|------|----|----|-----|
| HCF06-UNS7/16-24W | 6 | 7/16-24 | 17,6 | 27,1 | 6,7 | 16,1 | 17 | 19 | 6,1 |
| HCF08-UNS7/16-24W | 8 | 7/16-24 | 17,6 | 27,5 | 6,7 | 17,5 | 17 | 19 | 6,1 |

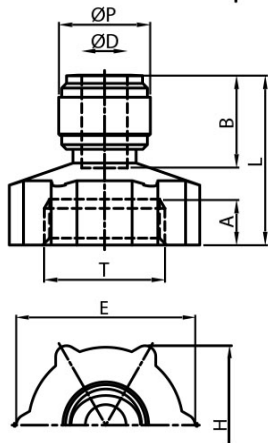


HCF-NH

Female adapter NH



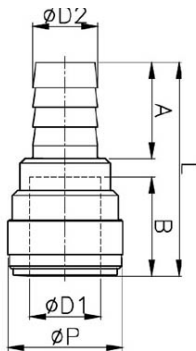
Brass thread



| CODE | ØD | T (NH) | ØP | L | A | B | H | ØE | GR. |
|-------------|----|--------|------|------|------|------|------|------|------|
| HCF06-NH06W | 6 | 3/4 | 15,5 | 34,2 | 10,0 | 16,1 | 36,7 | 41,6 | 34,9 |
| HCF08-NH06W | 8 | 3/4 | 20,0 | 36,6 | 10,0 | 17,5 | 36,7 | 41,6 | 36,5 |
| HCF10-NH06W | 10 | 3/4 | 20,0 | 36,9 | 10,0 | 20,1 | 36,7 | 41,6 | 38,1 |

HCBB

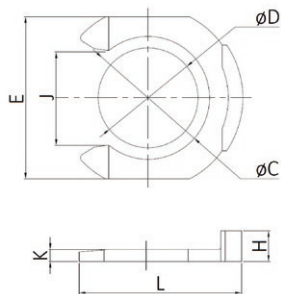
Barb connector



| CODE | ØD1 | ØD2 | ØP | L | A | B | GR. |
|-------------|-----|-----|------|------|------|------|------|
| HCBB1210W | 12 | 10 | 23,0 | 46,9 | 20,0 | 24,7 | 8,5 |
| HCBB15-1/2W | 15 | 1/2 | 28,0 | 54,2 | 22,3 | 29,4 | 14,0 |
| HCBB22-1/2W | 22 | 1/2 | 35,7 | 58,8 | 22,3 | 33,8 | 22,1 |
| HCBB22-3/4W | 22 | 3/4 | 35,7 | 66,5 | 30,0 | 33,8 | 25,7 |

HCP

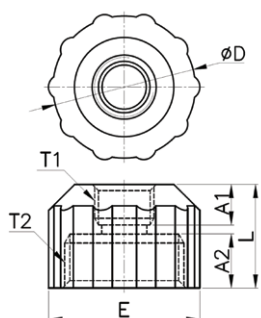
Black locking Clip



| CODE | ØD | ØC | E | L | H | J | K | GR. |
|--------------|-----------|------|------|------|-----|------|-----|------|
| HCP04-5/32BK | 04 - 5/32 | 6,2 | 10,2 | 11,0 | 2,8 | 4,3 | 1,1 | 0,09 |
| HCP05-3/16BK | 05 - 3/16 | 6,2 | 10,2 | 11,0 | 2,8 | 4,3 | 1,1 | 0,09 |
| HCP06-1/4BK | 06 - 1/4 | 8,0 | 11,6 | 11,6 | 3,1 | 6,4 | 1,3 | 0,12 |
| HCP08-5/16BK | 08 - 5/16 | 9,6 | 13,5 | 13,9 | 3,3 | 7,3 | 1,4 | 0,16 |
| HCP10-3/8BK | 10 - 3/8 | 11,8 | 16,0 | 16,4 | 3,4 | 9,2 | 1,4 | 0,23 |
| HCP12-1/2BK | 12 - 1/2 | 14,4 | 19,0 | 19,0 | 3,6 | 11,1 | 1,4 | 0,30 |
| HCP15 | 15 | 17,0 | 22,5 | 22,6 | 3,6 | 13,1 | 1,4 | 0,45 |
| HCP22 | 22 | 24,0 | 30,0 | 29,3 | 3,8 | 19,1 | 1,9 | 0,84 |

HUFF

Threaded reducer



| CODE | T1 | T2 | ØD | A1 | A2 | L | E | GR. |
|--------------|-------|-------|------|-----|------|------|------|------|
| HUFFG02-G06G | G1/4" | G3/4" | 31,5 | 9,5 | 12,0 | 23,0 | 33,5 | 15,6 |
| HUFFG03-G06G | G3/8" | G3/4" | 31,5 | 9,5 | 12,0 | 23,0 | 33,5 | 14,5 |



PUSH-IN FITTINGS

**INOX
AISI 316**

PLUS

**SUITABLE FOR CONTACT WITH POTABLE
WATER AND FOOD.**

**HIGH CHEMICAL
AND CORROSION RESISTANCE**

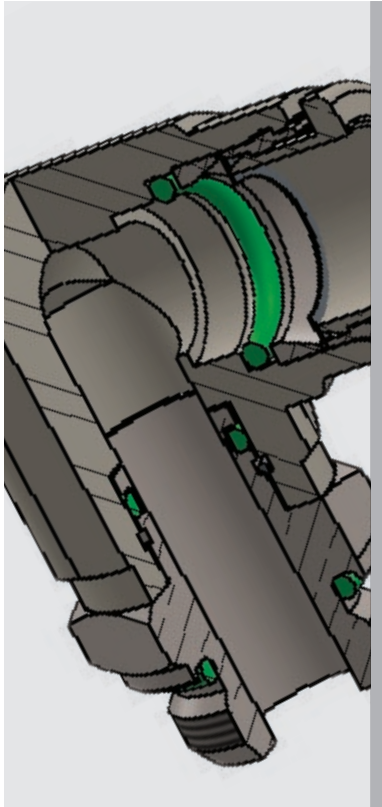
**SOLID AND RELIABLE TO BE USED FOR
AGGRESSIVE APPLICATIONS**

COMPLETELY IN STAINLESS STEEL

**SPECIAL GREEN COLOR FKM SEALING,
EASILY TO BE IDENTIFIED**







-20°C ÷ 150°C



Up to 20 Bar at 20°C



Compressed air, potable water and food fluids compatible with the construction materials.



Taper gas ISO 7 from R1/8" to R1/2"



Parallel gas BSPP ISO 228 from G1/8" to G1/2"
Metric ISO 262 M5x0,8P



Polyethylene, Polyamide, PTFE- FEP

Body: stainless steel AISI 316 ASTM A-479 for SXC, SXMM, SXUC, SXGJ, SXTX, stainless steel AISI 316 ASTM A-182 for all the other fittings



Collet: stainless steel AISI 316

Lock claw: stainless steel AISI 303

Seals: viton

Retaining ring for swivel systems: AISI 302 stainless steel (1.4310)



Products in compliance with the directive 2002/95/EC

RoHS2

Products in compliance with the directive 2011/65/EU



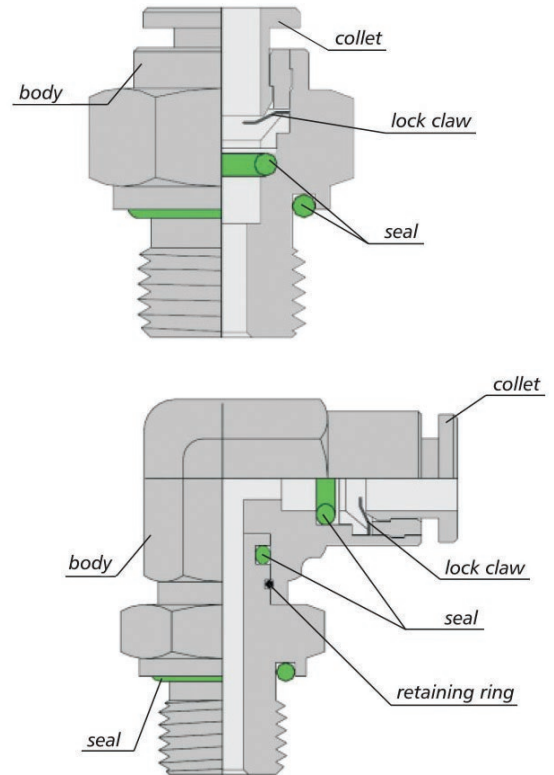
INSERTION OF THE TUBE INTO THE FITTING

- Make sure the tube is fully inserted into the fitting.
- To insert the tube into the fitting cut the tube at a squared angle (90°), insert up to the end and pull gently to make sure it is correctly connected.
- If there are any damages or scratches on the tube surface or an oval shape, air leakage and tube release may occur. Check it carefully.
- The OD of polyurethane tubes expand when pressure is applied. Reinsertion into the fitting may not be possible. Check the OD of the tube and change the tube if the expansion is serious.
- Always remove by cutting the part of the tube previously inserted into the fitting. Use a paper tube cutter in order to cut the tube.

DISCONNECTION OF THE TUBE FROM THE FITTING

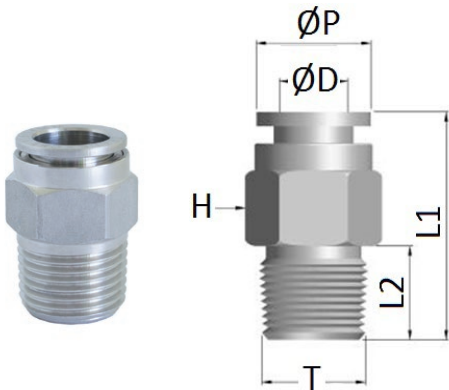
- Make sure the pressure is zero before releasing the tube from the fitting.
- To release the tube, press the release ring regularly at the end and pull the tube with one hand.

CONSTRUCTION MATERIALS



SXC-R

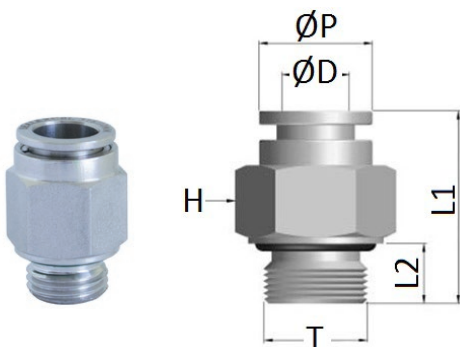
Male connector BSPT thread



| CODE | ØD | T | ØP | L1 | L2 | H | GR. |
|----------|----|-------|------|------|------|------|------|
| SXC04R01 | 4 | R1/8" | 10,0 | 22,6 | 7,5 | 11,0 | 10,0 |
| SXC04R02 | 4 | R1/4" | 10,0 | 23,3 | 11,0 | 14,0 | 19,0 |
| SXC06R01 | 6 | R1/8" | 12,4 | 23,3 | 7,5 | 13,0 | 13,0 |
| SXC06R02 | 6 | R1/4" | 12,4 | 22,8 | 11,0 | 14,0 | 17,0 |
| SXC08R01 | 8 | R1/8" | 14,0 | 26,3 | 7,5 | 14,0 | 16,0 |
| SXC08R02 | 8 | R1/4" | 14,0 | 26,3 | 11,0 | 14,0 | 19,0 |
| SXC08R03 | 8 | R3/8" | 14,0 | 24,3 | 11,5 | 17,0 | 33,0 |
| SXC10R02 | 10 | R1/4" | 16,5 | 29,3 | 11,0 | 17,0 | 26,0 |
| SXC10R03 | 10 | R3/8" | 16,5 | 26,8 | 11,5 | 17,0 | 28,0 |
| SXC12R02 | 12 | R1/4" | 19,0 | 31,0 | 11,0 | 20,6 | 40,0 |
| SXC12R03 | 12 | R3/8" | 19,0 | 28,2 | 11,5 | 20,6 | 42,0 |
| SXC12R04 | 12 | R1/2" | 19,0 | 28,2 | 15,0 | 22,0 | 58,0 |
| SXC14R04 | 14 | R1/2" | 21,8 | 32,2 | 15,0 | 22,0 | 54,0 |

SXC-G

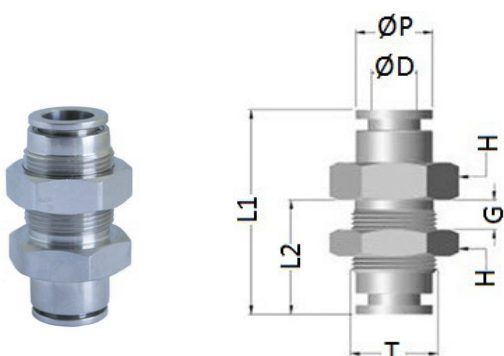
Male connector BSPP & metric thread



| CODE | ØD | T | ØP | L1 | L2 | H | GR. |
|----------|----|-------|------|------|------|------|-------|
| SXC04M5 | 4 | M5 | 9,8 | 24,4 | 7,5 | 11,1 | 10,0 |
| SXC04G01 | 4 | G1/8" | 9,8 | 22,6 | 8,0 | 14,2 | 17,0 |
| SXC04G02 | 4 | G1/4" | 9,8 | 24,1 | 10,0 | 17,4 | 24,0 |
| SXC06M5 | 6 | M5 | 12,5 | 24,8 | 5,5 | 12,7 | 10,0 |
| SXC06G01 | 6 | G1/8" | 12,5 | 24,6 | 8,0 | 14,2 | 16,0 |
| SXC06G02 | 6 | G1/4" | 12,5 | 24,6 | 10,0 | 17,4 | 23,0 |
| SXC08G01 | 8 | G1/8" | 14,2 | 27,6 | 8,0 | 14,2 | 17,0 |
| SXC08G02 | 8 | G1/4" | 14,2 | 26,6 | 10,0 | 17,4 | 24,0 |
| SXC08G03 | 8 | G3/8" | 14,2 | 26,7 | 10,0 | 20,6 | 37,0 |
| SXC10G02 | 10 | G1/4" | 16,4 | 29,6 | 10,0 | 17,4 | 28,0 |
| SXC10G03 | 10 | G3/8" | 16,4 | 26,8 | 10,0 | 20,6 | 35,0 |
| SXC12G02 | 12 | G1/4" | 19,0 | 31,0 | 10,0 | 20,6 | 35,0 |
| SXC12G03 | 12 | G3/8" | 19,0 | 31,0 | 10,0 | 20,6 | 40,0 |
| SXC12G04 | 12 | G1/2" | 19,0 | 30,5 | 12,0 | 27,0 | 64,0 |
| SXC14G04 | 14 | G1/2" | 21,8 | 31,5 | 12,0 | 27,0 | 103,0 |
| SXC16G04 | 16 | G1/2" | 23,3 | 32,2 | 10,0 | 27,0 | - |

SXMM

Bulkhead connector

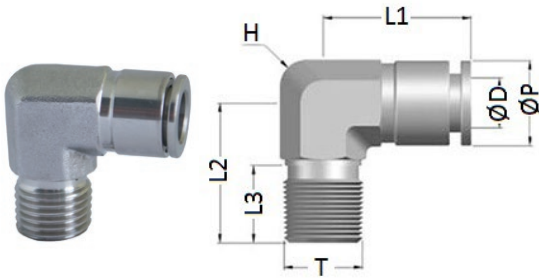


| CODE | ØD | T | ØP | L1 | L2 | G | H | GR. |
|----------|----|----------|------|------|------|----|------|-------|
| SXMM0400 | 4 | M11X0,75 | 10,0 | 33,0 | 18,8 | 6 | 14 | 24,0 |
| SXMM0600 | 6 | M14X1 | 12,4 | 35,0 | 19,3 | 6 | 19 | 38,0 |
| SXMM0800 | 8 | M16X1 | 14,0 | 36,0 | 20,3 | 6 | 20,6 | 45,0 |
| SXMM1000 | 10 | M18X1 | 16,5 | 42,0 | 24,8 | 8 | 22 | 64,0 |
| SXMM1200 | 12 | M22X1,5 | 19,0 | 46,4 | 25,2 | 10 | 27 | 100,0 |
| SXMM1400 | 14 | M24X1,5 | 21,8 | 48,4 | 27,2 | 10 | 28,6 | 112,0 |
| SXMM1600 | 16 | M26X1,5 | 23,3 | 48,4 | 27,2 | 10 | 30 | 124,0 |



SXME

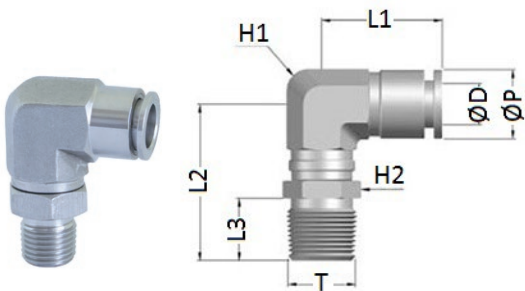
Male elbow BSPT thread



| CODE | ØD | T | ØP | L1 | L2 | L3 | H | GR. |
|-----------|----|-------|------|------|------|------|------|-------|
| SXME04R01 | 4 | R1/8" | 9,8 | 16,4 | 17,3 | 8,5 | 11,1 | 20,0 |
| SXME04R02 | 4 | R1/4" | 9,8 | 18,0 | 23,5 | 12,5 | 14,2 | 45,0 |
| SXME06R01 | 6 | R1/8" | 12,5 | 20,6 | 18,0 | 8,5 | 12,7 | 30,0 |
| SXME06R02 | 6 | R1/4" | 12,5 | 21,4 | 23,5 | 12,5 | 14,2 | 42,0 |
| SXME08R01 | 8 | R1/8" | 14,2 | 21,4 | 19,5 | 8,5 | 14,2 | 33,0 |
| SXME08R02 | 8 | R1/4" | 14,2 | 21,4 | 23,5 | 12,5 | 14,2 | 39,0 |
| SXME08R03 | 8 | R3/8" | 14,2 | 24,6 | 25,2 | 12,5 | 17,4 | 64,0 |
| SXME10R02 | 10 | R1/4" | 16,4 | 24,6 | 25,2 | 12,5 | 17,4 | 88,0 |
| SXME10R03 | 10 | R3/8" | 16,4 | 24,6 | 25,2 | 12,5 | 17,4 | 64,0 |
| SXME12R02 | 12 | R1/4" | 19,0 | 25,6 | 26,9 | 12,5 | 20,6 | 82,0 |
| SXME12R03 | 12 | R3/8" | 19,0 | 25,6 | 26,9 | 12,5 | 20,6 | 88,0 |
| SXME12R04 | 12 | R1/2" | 19,0 | 25,6 | 30,9 | 16,5 | 20,6 | 127,0 |
| SXME14R03 | 14 | R3/8" | 21,8 | 28,0 | 26,0 | 11,5 | 20,6 | - |
| SXME14R04 | 14 | R1/2" | 21,8 | 28,0 | 29,5 | 15,0 | 20,6 | - |

SXL-R

Swivel male elbow BSPT thread

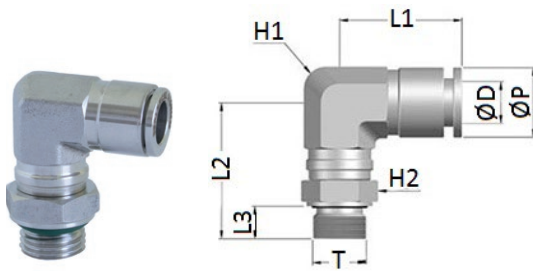


| CODE | ØD | T | ØP | L1 | L2 | L3 | H1 | H2 | GR. |
|----------|----|-------|------|------|------|------|------|------|-------|
| SXL04R01 | 4 | R1/8" | 9,8 | 17,1 | 26,7 | 8,5 | 11,1 | 11,1 | 27,0 |
| SXL04R02 | 4 | R1/4" | 9,8 | 17,1 | 29,8 | 12,5 | 11,1 | 14,2 | 38,0 |
| SXL06R01 | 6 | R1/8" | 12,5 | 20,6 | 27,7 | 8,5 | 12,7 | 12,7 | 36,0 |
| SXL06R02 | 6 | R1/4" | 12,5 | 20,6 | 30,7 | 12,5 | 12,7 | 14,2 | 42,0 |
| SXL08R01 | 8 | R1/8" | 14,2 | 21,4 | 28,7 | 8,5 | 14,2 | 14,2 | 44,0 |
| SXL08R02 | 8 | R1/4" | 14,2 | 21,4 | 32,7 | 12,5 | 14,2 | 14,2 | 48,0 |
| SXL08R03 | 8 | R3/8" | 14,2 | 21,4 | 32,7 | 12,5 | 14,2 | 17,4 | 61,0 |
| SXL10R02 | 10 | R1/4" | 16,4 | 24,6 | 33,9 | 12,5 | 17,4 | 17,4 | 72,0 |
| SXL10R03 | 10 | R3/8" | 16,4 | 24,6 | 34,1 | 12,5 | 17,4 | 17,4 | 78,0 |
| SXL12R02 | 12 | R1/4" | 19,0 | 25,6 | 37,3 | 12,5 | 20,6 | 20,6 | 105,0 |
| SXL12R03 | 12 | R3/8" | 19,0 | 25,6 | 37,3 | 12,5 | 20,6 | 20,6 | 106,0 |
| SXL12R04 | 12 | R1/2" | 19,0 | 25,6 | 39,8 | 16,5 | 20,6 | 22,2 | 124,0 |
| SXL14R03 | 14 | R3/8" | 21,8 | 28,7 | 38,5 | 11,5 | 22,0 | 22,0 | - |
| SXL14R04 | 14 | R1/2" | 21,8 | 27,5 | 42,6 | 16,5 | 22,2 | 22,2 | 151,0 |



SXL-G

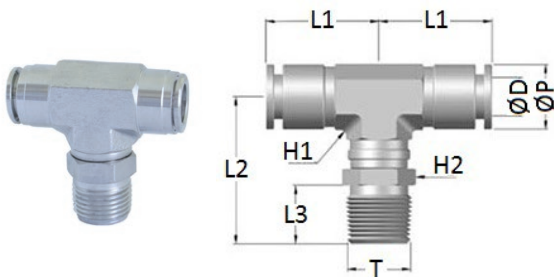
Swivel male elbow BSPP & metric thread



| CODE | ØD | T | ØP | L1 | L2 | L3 | H1 | H2 | GR. |
|----------|----|-------|------|------|------|------|------|------|-------|
| SXL04M5 | 4 | M5 | 9,8 | 17,1 | 26,5 | 7,5 | 11,1 | 11,1 | 27,0 |
| SXL04G01 | 4 | G1/8" | 9,8 | 17,1 | 26,9 | 8,0 | 11,1 | 14,2 | 31,0 |
| SXL04G02 | 4 | G1/4" | 9,8 | 17,1 | 28,9 | 10,0 | 11,1 | 17,4 | 41,0 |
| SXL06M5 | 6 | M5 | 12,5 | 20,6 | 25,8 | 5,5 | 12,7 | 12,7 | 27,0 |
| SXL06G01 | 6 | G1/8" | 12,5 | 20,6 | 27,8 | 8,0 | 12,7 | 14,2 | 35,0 |
| SXL06G02 | 6 | G1/4" | 12,5 | 20,6 | 30,0 | 10,0 | 12,7 | 17,4 | 45,0 |
| SXL08G01 | 8 | G1/8" | 14,2 | 21,4 | 29,8 | 8,0 | 14,2 | 14,2 | 45,0 |
| SXL08G02 | 8 | G1/4" | 14,2 | 21,4 | 32,0 | 10,0 | 14,2 | 17,4 | 53,0 |
| SXL08G03 | 8 | G3/8" | 14,2 | 21,4 | 32,0 | 10,0 | 14,2 | 20,6 | 63,0 |
| SXL10G02 | 10 | G1/4" | 16,4 | 24,6 | 33,1 | 10,0 | 17,4 | 17,4 | 75,0 |
| SXL10G03 | 10 | G3/8" | 16,4 | 24,6 | 33,1 | 10,0 | 17,4 | 20,6 | 80,0 |
| SXL12G02 | 12 | G1/4" | 19,0 | 25,6 | 35,3 | 10,0 | 20,6 | 19,0 | 103,0 |
| SXL12G03 | 12 | G3/8" | 19,0 | 25,6 | 35,8 | 10,0 | 20,6 | 20,6 | 103,0 |
| SXL12G04 | 12 | G1/2" | 19,0 | 25,6 | 38,8 | 12,0 | 20,6 | 27,0 | 132,0 |
| SXL14G04 | 14 | G1/2" | 21,8 | 27,5 | 40,8 | 12,0 | 22,2 | 27,0 | 162,0 |
| SXL16G04 | 16 | G1/2" | 23,3 | 30,0 | 39,6 | 10,0 | 24,0 | 27,0 | - |

SXT-R

Swivel male tee BSPT thread

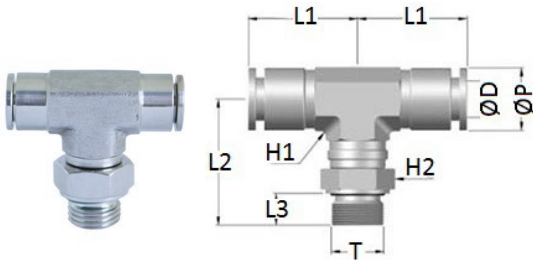


| CODE | ØD | T | ØP | L1 | L2 | L3 | H1 | H2 | GR. |
|----------|----|-------|------|------|------|------|------|------|-------|
| SXT04R01 | 4 | R1/8" | 9,8 | 34,2 | 26,7 | 8,5 | 11,1 | 11,1 | 35,0 |
| SXT04R02 | 4 | R1/4" | 9,8 | 34,2 | 29,8 | 12,5 | 11,1 | 14,2 | 48,0 |
| SXT06R01 | 6 | R1/8" | 12,5 | 41,2 | 27,7 | 8,5 | 12,7 | 12,7 | 42,0 |
| SXT06R02 | 6 | R1/4" | 12,5 | 41,2 | 30,7 | 12,5 | 12,7 | 14,2 | 48,0 |
| SXT08R01 | 8 | R1/8" | 14,2 | 42,8 | 28,7 | 8,5 | 14,2 | 14,2 | 53,0 |
| SXT08R02 | 8 | R1/4" | 14,2 | 42,8 | 32,7 | 12,5 | 14,2 | 14,2 | 59,0 |
| SXT08R03 | 8 | R3/8" | 14,2 | 42,8 | 32,7 | 12,5 | 14,2 | 17,4 | 70,0 |
| SXT10R02 | 10 | R1/4" | 16,4 | 49,2 | 33,9 | 12,5 | 17,4 | 17,4 | 86,0 |
| SXT10R03 | 10 | R3/8" | 16,4 | 49,2 | 34,1 | 12,5 | 17,4 | 17,4 | 93,0 |
| SXT12R02 | 12 | R1/4" | 19,0 | 51,2 | 37,3 | 12,5 | 20,6 | 20,6 | 123,0 |
| SXT12R03 | 12 | R3/8" | 19,0 | 51,2 | 37,3 | 12,5 | 20,6 | 20,6 | 128,0 |
| SXT12R04 | 12 | R1/2" | 19,0 | 51,2 | 39,8 | 16,5 | 20,6 | 22,2 | 145,0 |
| SXT14R03 | 14 | R3/8" | 21,8 | 28,7 | 38,5 | 11,5 | 22,0 | 22,0 | - |
| SXT14R04 | 14 | R1/2" | 21,8 | 28,7 | 42,2 | 15,0 | 22,0 | 22,0 | - |



SXT-G

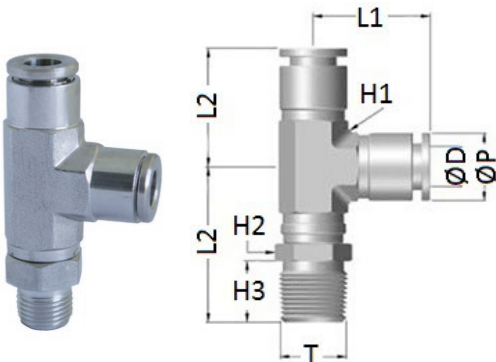
Swivel male tee BSPP & metric thread



| CODE | ØD | T | ØP | L1 | L2 | L3 | H1 | H2 | GR. |
|----------|----|-------|------|------|------|------|------|------|-------|
| SXT04M5 | 4 | M5 | 9,8 | 34,2 | 26,5 | 7,5 | 11,1 | 11,1 | 31,0 |
| SXT04G01 | 4 | G1/8" | 9,8 | 34,2 | 26,9 | 8,0 | 11,1 | 14,2 | 36,0 |
| SXT04G02 | 4 | G1/4" | 9,8 | 34,2 | 28,9 | 10,0 | 11,1 | 17,4 | 44,0 |
| SXT06G01 | 6 | G1/8" | 12,5 | 41,2 | 27,8 | 8,0 | 12,7 | 14,2 | 45,0 |
| SXT06G02 | 6 | G1/4" | 12,5 | 41,2 | 30,0 | 10,0 | 12,7 | 17,4 | 53,0 |
| SXT08G01 | 8 | G1/8" | 14,2 | 42,8 | 29,8 | 8,0 | 14,2 | 14,2 | 53,0 |
| SXT08G02 | 8 | G1/4" | 14,2 | 42,8 | 32,0 | 10,0 | 14,2 | 17,4 | 60,0 |
| SXT08G03 | 8 | G3/8" | 14,2 | 42,8 | 32,0 | 10,0 | 14,2 | 20,6 | 72,0 |
| SXT10G02 | 10 | G1/4" | 16,4 | 49,2 | 33,1 | 10,0 | 17,4 | 17,4 | 84,0 |
| SXT10G03 | 10 | G3/8" | 16,4 | 49,2 | 33,1 | 10,0 | 17,4 | 20,6 | 91,0 |
| SXT12G02 | 12 | G1/4" | 19,0 | 51,2 | 35,3 | 10,0 | 20,6 | 19,0 | 122,0 |
| SXT12G03 | 12 | G3/8" | 19,0 | 51,2 | 35,8 | 10,0 | 20,6 | 20,6 | 129,0 |
| SXT12G04 | 12 | G1/2" | 19,0 | 51,2 | 38,8 | 12,0 | 20,6 | 27,0 | 149,0 |
| SXT14G03 | 14 | G3/8" | 21,8 | 28,7 | 35,4 | 7,5 | 22 | 22 | 156,0 |
| SXT14G04 | 14 | G1/2" | 21,8 | 28,7 | 38,4 | 10,7 | 22 | 27 | 163,0 |
| SXT16G04 | 16 | G1/2" | 23,3 | 30,0 | 39,6 | 10,0 | 24 | 27 | 169,0 |

SXST-R

Swivel lateral male tee BSPT thread

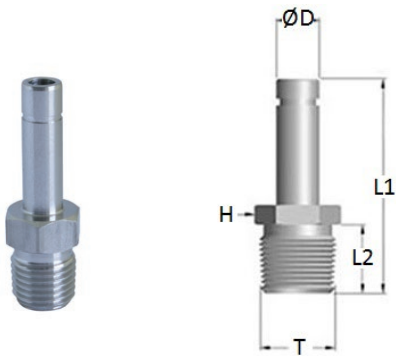


| CODE | ØD | T | ØP | L1 | L2 | L3 | H1 | H2 | GR. |
|-----------|----|-------|------|------|------|------|----|----|-------|
| SXST04M5 | 4 | M5 | 10,0 | 20,3 | 24,0 | 5,0 | 10 | 11 | 26,0 |
| SXST04R01 | 4 | R1/8" | 10,0 | 20,3 | 25,6 | 7,5 | 10 | 11 | 35,0 |
| SXST04R02 | 4 | R1/4" | 10,0 | 20,3 | 29,3 | 11,0 | 10 | 14 | 48,0 |
| SXST06R01 | 6 | R1/8" | 12,4 | 21,0 | 26,8 | 7,5 | 12 | 13 | 42,0 |
| SXST06R02 | 6 | R1/4" | 12,4 | 21,0 | 30,5 | 11,0 | 12 | 14 | 48,0 |
| SXST08R01 | 8 | R1/8" | 14,0 | 23,2 | 27,8 | 7,5 | 14 | 14 | 53,0 |
| SXST08R02 | 8 | R1/4" | 14,0 | 23,2 | 31,5 | 11,0 | 14 | 14 | 59,0 |
| SXST08R03 | 8 | R3/8" | 14,0 | 23,2 | 32,3 | 11,5 | 14 | 17 | 70,0 |
| SXST10R02 | 10 | R1/4" | 16,5 | 24,3 | 33,0 | 11,0 | 16 | 16 | 86,0 |
| SXST10R03 | 10 | R3/8" | 16,5 | 24,3 | 33,7 | 11,5 | 16 | 17 | 93,0 |
| SXST12R02 | 12 | R1/4" | 19,0 | 26,7 | 35,0 | 11,0 | 19 | 19 | 123,0 |
| SXST12R03 | 12 | R3/8" | 19,0 | 26,7 | 35,6 | 11,5 | 19 | 19 | 128,0 |
| SXST12R04 | 12 | R1/2" | 19,0 | 26,7 | 39,4 | 15,0 | 19 | 22 | 145,0 |
| SXST14R03 | 14 | R3/8" | 21,8 | 28,7 | 38,5 | 11,5 | 22 | 22 | 139,0 |
| SXST14R04 | 14 | R1/2" | 21,8 | 28,7 | 42,2 | 15,0 | 22 | 22 | 151,0 |



SXTR

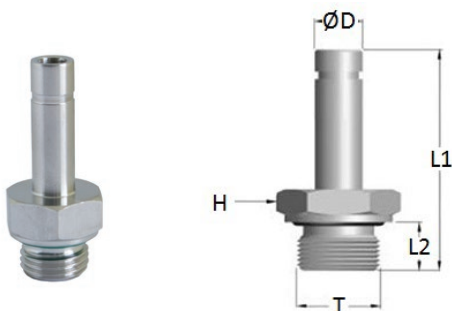
Adapter BSPT thread



| CODE | ØD | T | L1 | L2 | H | GR. |
|-----------|----|-------|------|------|----|------|
| SXTR04R01 | 4 | R1/8" | 36,5 | 7,5 | 11 | 11,0 |
| SXTR04R02 | 4 | R1/4" | 40,0 | 11,0 | 14 | 20,0 |
| SXTR06R01 | 6 | R1/8" | 38,5 | 7,5 | 11 | 11,0 |
| SXTR06R02 | 6 | R1/4" | 42,0 | 11,0 | 14 | 22,0 |
| SXTR08R01 | 8 | R1/8" | 38,5 | 7,5 | 11 | 13,0 |
| SXTR08R02 | 8 | R1/4" | 42,0 | 11,0 | 14 | 23,0 |
| SXTR08R03 | 8 | R3/8" | 42,5 | 11,5 | 17 | 35,0 |
| SXTR10R02 | 10 | R1/4" | 42,0 | 11,0 | 14 | 24,0 |
| SXTR10R03 | 10 | R3/8" | 42,5 | 11,5 | 17 | 37,0 |
| SXTR12R02 | 12 | R1/4" | 44,5 | 11,0 | 14 | 28,0 |
| SXTR12R03 | 12 | R3/8" | 45,0 | 11,5 | 17 | 41,0 |
| SXTR12R04 | 12 | R1/2" | 48,5 | 15,0 | 22 | 46,0 |
| SXTR14R03 | 14 | R3/8" | 47,0 | 11,5 | 17 | 45,0 |
| SXTR14R04 | 14 | R1/2" | 50,0 | 15,0 | 22 | 50,0 |

SXTA

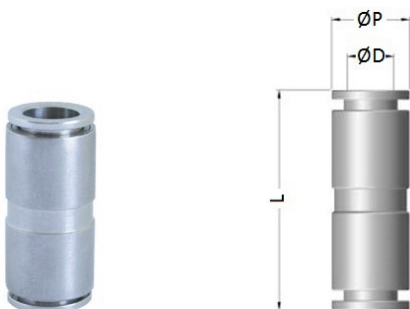
Adapter BSPP & metric thread



| CODE | ØD | T | L1 | L2 | H | GR. |
|-----------|----|-------|------|------|------|------|
| SXTA04M5 | 4 | M5 | 34,0 | 5,0 | 11 | 8,0 |
| SXTA04G01 | 4 | G1/8" | 34,8 | 5,8 | 14 | 15,0 |
| SXTA04G02 | 4 | G1/4" | 36,7 | 7,5 | 17 | 25,0 |
| SXTA06G01 | 6 | G1/8" | 37,0 | 5,8 | 14 | 16,0 |
| SXTA06G02 | 6 | G1/4" | 39,2 | 7,5 | 17 | 27,0 |
| SXTA08G01 | 8 | G1/8" | 37,0 | 5,8 | 14 | 18,0 |
| SXTA08G02 | 8 | G1/4" | 39,2 | 7,5 | 17 | 28,0 |
| SXTA10G02 | 10 | G1/4" | 39,2 | 7,5 | 17 | 30,0 |
| SXTA10G03 | 10 | G3/8" | 39,4 | 7,5 | 20,6 | 44,0 |
| SXTA12G02 | 12 | G1/4" | 41,2 | 7,5 | 17 | 37,0 |
| SXTA12G03 | 12 | G3/8" | 41,2 | 7,5 | 20,6 | 45,0 |
| SXTA12G04 | 12 | G1/2" | 44,4 | 10,0 | 27 | 51,0 |
| SXTA14G03 | 14 | G3/8" | 42,2 | 7,5 | 20,6 | 50,0 |
| SXTA14G04 | 14 | G1/2" | 45,8 | 10,0 | 27 | 57,0 |
| SXTA16G04 | 16 | G1/2" | 45,8 | 10,0 | 27 | 58,0 |

SXUC

Union connector

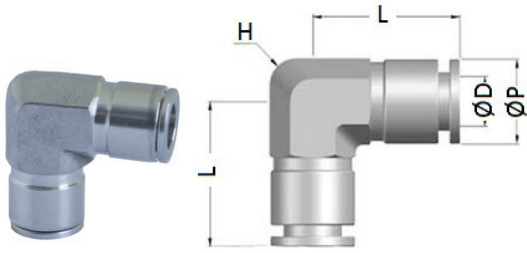


| CODE | ØD | ØP | L | GR. |
|----------|----|------|------|------|
| SXUC0400 | 4 | 10,0 | 34,6 | 14,0 |
| SXUC0600 | 6 | 12,4 | 35,6 | 20,0 |
| SXUC0800 | 8 | 14,0 | 35,6 | 21,0 |
| SXUC1000 | 10 | 16,5 | 35,6 | 30,0 |
| SXUC1200 | 12 | 19,0 | 38,8 | 40,0 |
| SXUC1400 | 14 | 21,8 | 40,8 | 53,0 |
| SXUC1600 | 16 | 23,3 | 40,8 | 61,0 |



SXUL

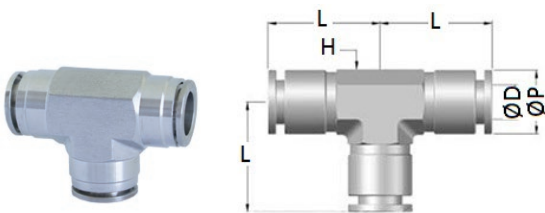
Union elbow



| CODE | ØD | ØP | L | H | GR. |
|----------|----|------|------|----|-------|
| SXUL0400 | 4 | 10,0 | 20,3 | 10 | 21,0 |
| SXUL0600 | 6 | 12,4 | 22,0 | 12 | 27,0 |
| SXUL0800 | 8 | 14,0 | 23,2 | 14 | 35,0 |
| SXUL1000 | 10 | 16,5 | 24,3 | 16 | 58,0 |
| SXUL1200 | 12 | 19,5 | 26,7 | 19 | 83,0 |
| SXUL1400 | 14 | 21,8 | 28,7 | 22 | 107,0 |
| SXUL1600 | 16 | 23,3 | 30,0 | 24 | 119,0 |

SXUT

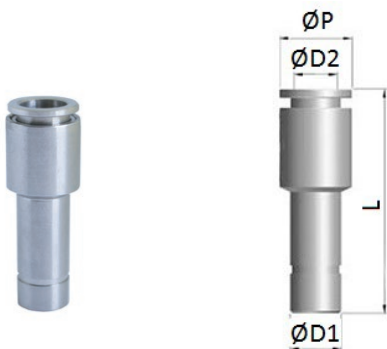
Union tee



| CODE | ØD | ØP | L | H | GR. |
|----------|----|------|------|----|-------|
| SXUT0400 | 4 | 10,0 | 20,3 | 10 | 27,0 |
| SXUT0600 | 6 | 12,4 | 22,0 | 12 | 37,0 |
| SXUT0800 | 8 | 14,0 | 23,2 | 14 | 43,0 |
| SXUT1000 | 10 | 16,5 | 24,3 | 16 | 68,0 |
| SXUT1200 | 12 | 19,0 | 26,7 | 19 | 99,0 |
| SXUT1400 | 14 | 21,8 | 28,7 | 22 | 129,0 |
| SXUT1600 | 16 | 23,3 | 30,0 | 24 | 141,0 |

SXGJ

Reducer



| CODE | ØD1 | ØD2 | ØP | L | GR. |
|----------|-----|-----|------|------|------|
| SXGJ0604 | 6 | 4 | 10,0 | 41,8 | 11,0 |
| SXGJ0804 | 8 | 4 | 10,0 | 41,8 | 14,0 |
| SXGJ0806 | 8 | 6 | 12,4 | 41,8 | 17,0 |
| SXGJ1006 | 10 | 6 | 12,4 | 42,8 | 23,0 |
| SXGJ1008 | 10 | 8 | 14,0 | 42,8 | 23,0 |
| SXGJ1208 | 12 | 8 | 14,0 | 45,8 | 31,0 |
| SXGJ1210 | 12 | 10 | 16,5 | 46,3 | 31,0 |
| SXGJ1412 | 14 | 12 | 19,0 | 47,8 | 40,0 |
| SXGJ1612 | 16 | 12 | 19,0 | 47,8 | 46,0 |



