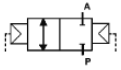


## 2/2 WAY PISTON VALVE G 1/2" ÷ 2" DOUBLE ACTING; STAINLESS STEEL



**double acting  
flow over / under seat**

**TYPE: REGULAR DA**

### TECHNICAL SPECIFICATIONS

Media: water, oil, air, aggressive media and steam <sup>(1)</sup>
Media temperature: -10°C ... +180°C
Ambient temperature: -10°C ... +60°C
Pilot media: air, inert gases, water
Body material: cast AISI 316L (see page 36)
Bonnet material: cast AISI 316L (see page 36)
Actuator body material: Polyamide PA6 (reinforced fiberglass 30%)
Seal material: PTFE type TFM 1600
Position indicator as standard
Valves DN32÷DN50 complying with 97/23 EC Directive Category I

### BENEFITS

Waterhammer-free design (with flow direction 2i 1)
Actuator housing rotation 360°
Design suitable for vacuum applications up to 10 <sup>-2</sup> mbar

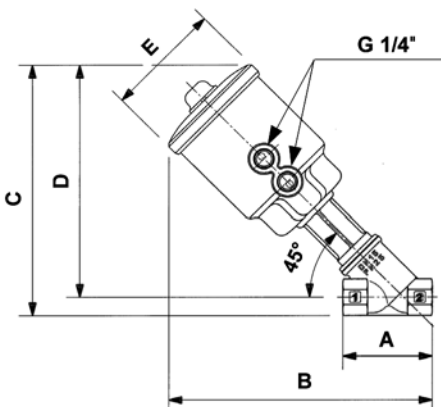
### OPTIONS

Manual override (ex. code DPG205STWM0) see page 24
Stroke regulator (ex. code DPG210STJR0) see page 24
Travel switch (ex. code DPG208LTZIO) see page 24
NPT connection (ex. code DPN205STW00)
Weld ends see page 17



SELECTION TABLE	VALVES	connection	DN orifice	Flow rate Kvs	Working pressure <sup>(1)</sup>		Flow direction	Pilot pressure <sup>(2)</sup> bar		Actuator ø
					min (bar)	max (bar)		min 1i 2	min 2i 1	
	Code	(ISO 228 G)	(mm)	(l/min)						(mm)
	DPG205STW00	1/2"	15	87	0	16	1i 2	1.8	2	63
	DPG206STX00	3/4"	20	164	0	16	1i 2	2	3.8	63
	DPG207STY00	1"	25	260	0	16	1i 2	3	5	63
	DPG208STZ00	1 1/4"	32	410	0	16	1i 2	4.5	6	63
	DPG209STK00	1 1/2"	40	700	0	16	1i 2	6.5	7	63
	DPG210STJ00	2"	50	950	0	12	1i 2	7	8	63

(1) Steam: Max. working pressure 10 bar (9 barg); - (2) Minimum pilot pressure at max. working pressure; for lower working pressure see selection charts;



### DIMENSIONS & WEIGHTS

Connection	Actuator ø	A	B	C	D	E	weight
(ISO 228 G)	(mm)	(mm)	(mm)	(mm)	(mm)	(mm)	(kg)
1/2"	63	65	192	184	171	85	1.2
3/4"	63	75	198	192	176	85	1.3
1"	63	90	212	205	185	85	1.5
1 1/4"	63	110	225	217	193	85	1.9
1 1/2"	63	120	230	225	198	85	2.1
2"	63	150	248	241	207	85	2.9